



METAL HALIDE LAMPS



Single-Ended High Color Rendering EYE Color Arc® - Single-Ended

FEATURES

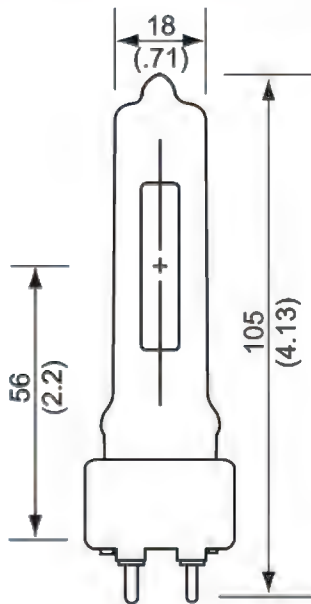
- Very high color rendering, CRI 96
- Wide color temperature offering: 3000K, 3500K, 4500K and 6500K
- Compact Single-Ended design
- UV-Block coating on the outer bulb

APPLICATIONS

- Retail Shopping Malls
- Department Stores
- Merchandise Displays
- Landscape
- Showrooms
- Commercial Entrance Foyers
- Hotel Public Areas
- Paint Booths
- Greenhouse
- Aquariums

PHYSICAL DATA AND CHARACTERISTICS

Line #	Watts (W)	Bulb	Base	Product Code	Product Description	Color Temp. (K)	ANSI Code / Ballast Ref.	Fix. Req.	Burn Pos.	Case Qty.	Initial Lumens	Mean Lumens	Average Life Hours	CRI
Single-Ended High Color Rendering T6/T8 Enclosed Fixture Series Metal Halide (G12 Base)														
4	70	T6 Clear	G12	56140	MT70/SLW/G12	3000	M139/E	E	U	24	3800	3040	6000	96



T6/G12

