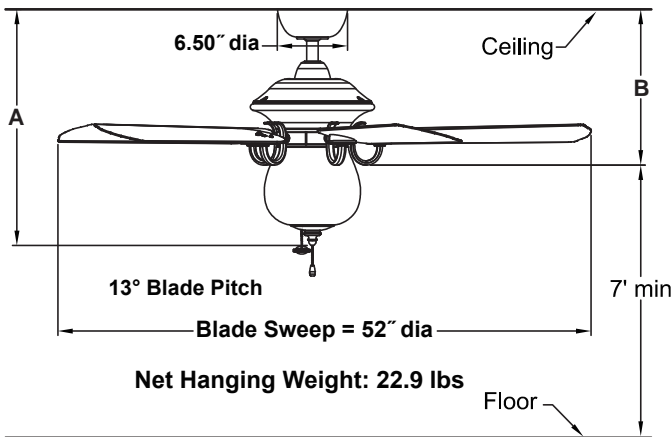




CRESTFORD™

FP7954OB  
52" **Wet**  
Location Fan



	A	B
Fan w/4.5" downrod	21.87"	14.42"
Fan w/12" downrod	29.37"	21.92"
Fan w/18" downrod	35.37"	27.92"
Fan w/24" downrod	41.37"	33.92"
Fan w/36" downrod	53.37"	45.92"
Fan w/48" downrod	65.37"	57.92"
Fan w/60" downrod	77.37"	69.92"
Fan w/72" downrod	89.37"	81.92"

**Available Finish**

OB	Oil-Rubbed Bronze With Cherry/Walnut Blade and Seed Glass
----	---

**Airflow / Energy Efficiency Info (120V)**

Fan Speed	Max RPM	CFM	CFM / Watts	Amps	Watts
High	161	5803	98	0.51	59
Med	122	4181	123	0.39	34
Low	48	1843	230	0.19	8

**INSTALLATION REQUIREMENTS:**

Ceiling fan attaches to electrical junction box securely anchored and capable of withstanding a load of at least 50 lbs.

**ELECTRICAL REQUIREMENTS:**

Ceiling fan requires a grounded electrical supply line of 120 volts AC, 60 Hz, 15 amp circuit.

**MOTOR SPECS:**

172 x 15 motor is designed for optimal performance with this fan.

**BLADE SETS:**

A set of five 22" reversible cherry/walnut ABS blades is included.

**LIGHTING OPTIONS:**

Three 40-watt candelabra bulbs included. See our catalog or visit [www.fanimation.com](http://www.fanimation.com) for available lighting options.

**DOWNROD OPTIONS:**

Fan comes with 1" dia. x 4.5" long downrod (DR1-45). Optional downrods available in 12", 18", 24", 36", 48", 60", and 72" lengths. A downrod coupler is available for installations requiring a downrod longer than 72". Fan can be mounted on a sloped ceiling up to 30°. Most sloped ceiling installations require a downrod longer than the standard 4.5" downrod. Optional sloped ceiling ball kits (SCB1-52) are available for slope angles greater than 30° and up to 52°. Call technical support for more information.

**LOCATION USE:**

Fan is rated for dry, damp and wet locations.