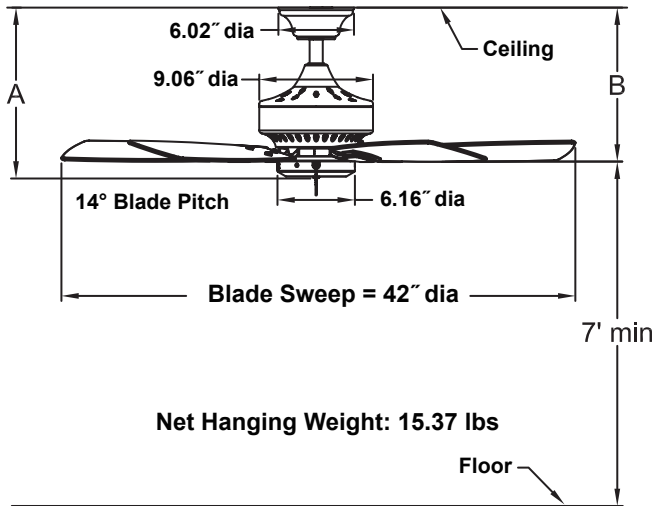


CANCUN™

FP8042** 42" Ceiling Fan



	A	B
Fan w/4.5" downrod	13.60"	12.26"
Fan w/12" downrod	21.10"	19.76"
Fan w/18" downrod	27.10"	25.76"
Fan w/24" downrod	33.10"	31.76"
Fan w/36" downrod	45.10"	43.76"
Fan w/48" downrod	57.10"	55.76"
Fan w/60" downrod	69.10"	67.76"
Fan w/72" downrod	81.10"	79.76"

Available Finishes

Fan / Housing Assembly	Blades-Traditional
OB Oil-rubbed Bronze	Cherry/Walnut
SN Satin Nickel	Cherry/Walnut
WH White	White

INSTALLATION REQUIREMENTS:

Ceiling fan attaches to electrical junction box securely anchored and capable of withstanding a load of at least 50 lbs.

ELECTRICAL REQUIREMENTS:

Ceiling fan requires a grounded electrical supply line of 120 volts AC, 60 Hz, 15 amp circuit.

MOTOR SPECS:

153x 13 motor is designed for optimal performance with this fan.

BLADES:

A set of five 17" reversible traditional wood blades is included.

CONTROL OPTIONS:

Optional CW1, CW1SW, CW2, CW5 and CWRL4 wall controls and CRL4WH and CRL8TS remote controls (with receiver units) are available—sold separately. Instructions are provided with each control.

LIGHTING OPTIONS:

Optional lighting fitters and light kits are available. See our catalog or visit www.fanimation.com for lighting options.

DOWNROD OPTIONS:

Dual mount for flush mount application or 1" dia x 4.5" long downrod. Optional downrods available in 12", 18", 24", 36", 48", 60", and 72" lengths. A downrod coupler is available for installations requiring a downrod longer than 72". Fan can be mounted on a sloped ceiling up to 30°. Call your local dealer for more information.

LOCATION USE:

Fan is rated for dry locations only.

Airflow / Energy Efficiency Info (120V)

Fan Speed	Max RPM	CFM	CFM / Watts	Amps	Watts
High	196	3943	84	0.38	46.7
Med	145	2898	116	0.29	25.0
Low	96	1951	165	0.20	11.8