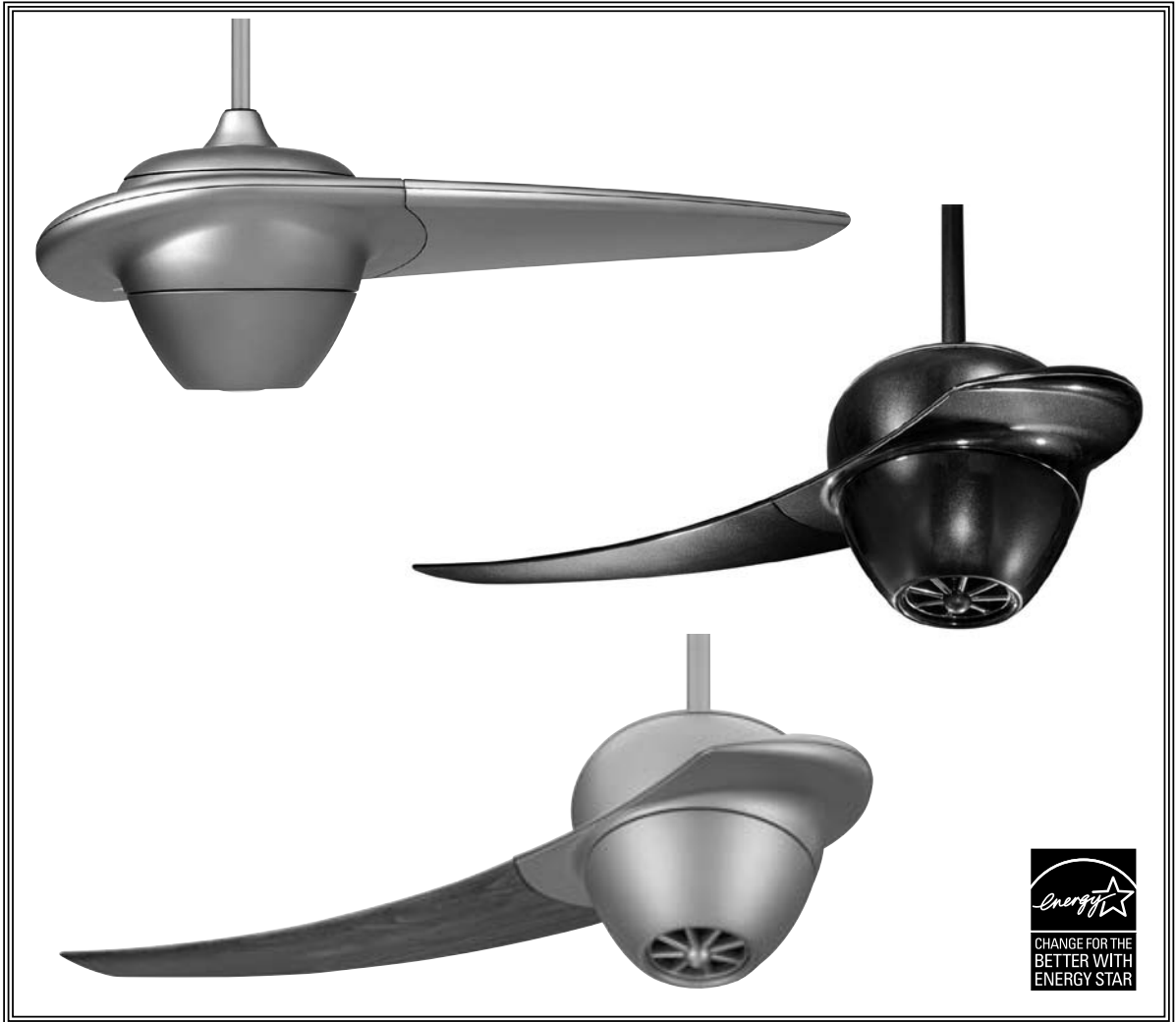


Enigma[®]

FP2120 Series



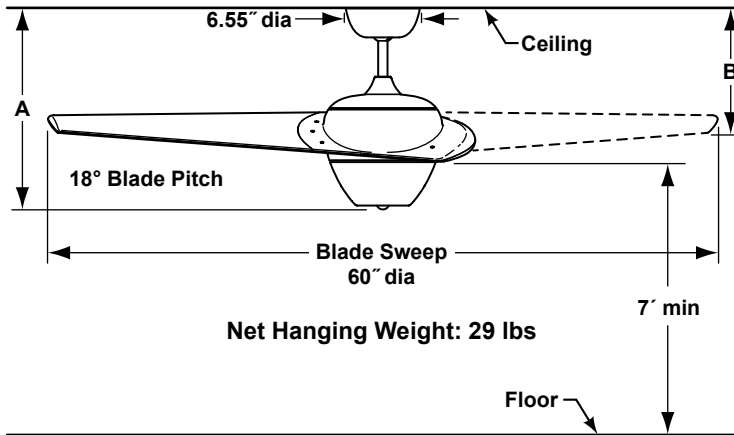
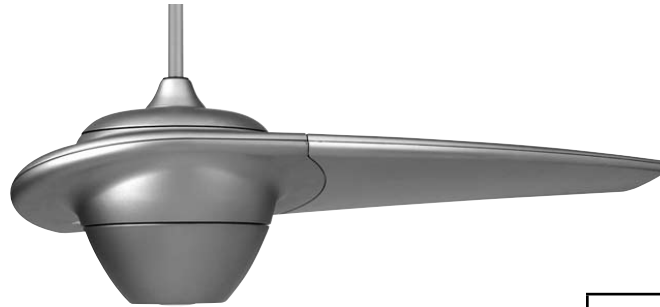
SPECIFICATION SHEET



Product Specifications subject to change

ENIGMA®

FP2120
Ceiling Fan**



	A	B
Fan w/6" downrod	17.53"	11.02"
Fan w/12" downrod	23.53"	17.02"
Fan w/18" downrod	29.53"	23.02"
Fan w/24" downrod	35.53"	29.02"
Fan w/36" downrod	47.53"	41.02"
Fan w/48" downrod	59.53"	53.02"
Fan w/60" downrod	71.53"	65.02"
Fan w/72" downrod	83.53"	77.02"

Available Finishes

MG	Metro gray (Damp)
RB	Red/blue iridescent (Damp)
WA	Metro Gray with walnut wood blade

***Custom Finishes are available by special order only. Contact technical support for more information*

INSTALLATION REQUIREMENTS:

Ceiling fan must be secured to a structural member, such as a ceiling joist, capable of withstanding a load of at least 50 lbs. A 3/8" x 5" long lag bolt passes through loop in ceiling support cable, hanger bracket plate, and into wood structural member above.

ELECTRICAL REQUIREMENTS:

Requires a grounded electrical supply line of 120 volts AC, 60 Hz, 15 amp circuit.

MOTOR SPECS:

188 x 18 motor is designed for optimal performance with this fan. 220 VAC, 50 Hz export version available.

CONTROL OPTIONS:

C4T hand-held remote control with canopy-style receiver unit (RECAN34) is included. Push-button remote control has 3 speeds, downlight controls and off button. Optional C1, C2 and C25 wall controls are available—sold separately. See our catalog or visit www.fanimation.com for more information. C4-220 remote included with 220V models; optional C6-220 wall control is available. Instructions are provided with each control.

LIGHTING OPTION:

Single built-in downlight socket uses PAR 30 short-neck, 75 watt max., halogen bulb (not included).

DOWNROD OPTIONS:

Fan comes with a 1" dia. x 6" long downrod (DR1-6). Optional downrods available in 12", 18", 24", 36", 48", 60" and 72" lengths. Fan can be mounted on a sloped ceiling up to *30°. Most sloped ceiling installations require a downrod longer than the standard 6" downrod. Optional sloped ceiling ball kits (SCB1-52) are available for slope angles greater than 30° and up to 52°. Call technical support for more information.

LOCATION USE:

FP2120MG & FP2120RB are dry and damp location rated
FP2120WA is dry location rated only

Airflow / Energy Efficiency Info (120V)					
Fan Speed	Max RPM	CFM	CFM / Watts	Amps	Watts
High	164	5796	114	0.43	50
Med	99	3208	143	0.34	22
Low	62	1693	156	0.26	11

***Minimum Pole Lengths for Sloped Ceilings**

Degrees / Pitch	Minimum Pole Length	Blade Tip to Ceiling Dimension
18° / 4 - 12 pitch	12" (DR1-12**)	6½"
27° - 30° / 6 - 12 to 7 - 12	18" (DR1-18**)	4½"



Copyright 2010 Fanimation, Inc.

**10983 Bennett Parkway
Zionsville, IN 46077
Toll Free (888) 567-2055
FAX (866) 482-5215
Outside U.S. call (317) 733-4113
Visit Our Website www.fanimation.com**



2010/01