



SPECIFICATION SHEET : WH2-120-C

This Is An Original Product From Fulham Co., Inc

Description : WorkHorse Series Versatile, Solid State Electronic Ballast. Small Case Size, High Power Factor, Light Weight, Available In 120/230/277V 50/60 Hz.

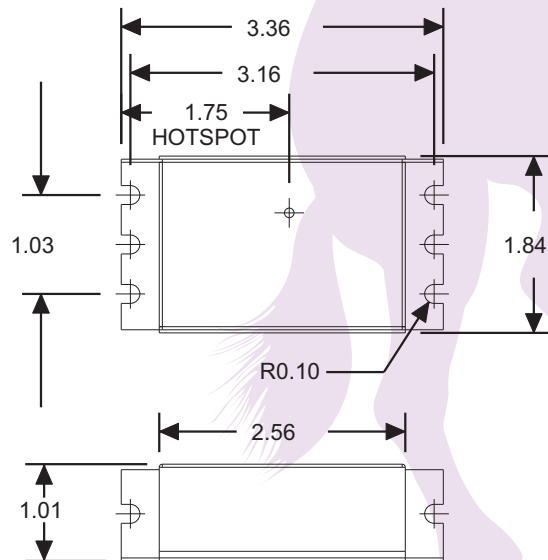
This Ballast Will Operate Following Lamps.

REFER TO LAMP WATTS/TYPE

ELECTRICAL DATA

INPUT VOLT: 120V ± 10%, 50/60Hz						
LAMP WATTS/TYPE	LAMPS OPERATED	INPUT WATTS	LINE CURRENT	BALLAST FACTOR	EFFICACY FACTOR	
F15T8	1	17	0.15	1.0	6.1	
F17T8	1	21	0.28	1.2	5.8	
F25T8	1	29	0.25	1.2	4.2	
FCR22WT9	1	19	0.17	0.8	4.5	
F32T8	1	38	0.33	1.2	3.2	
POWER FACTOR		> 0.9				
THD		< 38.7 %				
CURRENT CREST FACTOR		-				
EMI/RFI COMPLIANCE		FCC PART 18-A				
SOUND RATING		" A "				
BALLAST TYPE		INSTANT START				
VOLTAGE TRANSIENTS		ANSI C82.11 - 1993				
INPUT/PROTECTION		FUSE				
MIN. OPERATING TEMP		- 30 °C (- 20 °F)				
MAX. CASE TEMP		70 °C (158 °F)				
APPROVALS/CLASS		UL /cUL LISTED, CLASS " P ", 1 OR 2 OUTDOOR				

MECHANICAL DATA



Where : L = Length, W = Width, H = Height

WIRING DIAGRAMS

WIRE	BLACK	WHITE	RED	BLUE	YELLOW	BROWN
LENGTH - INCHES	12 ± 1"	12 ± 1"	36 ± 1"	-	36 ± 1"	-

FOR WIRING DIAGRAM,
PLEASE REFER TO FULHAM'S CATALOG

NOTE : This Ballast Must Be Grounded

Fulham Co., Inc extends limited warranty only to the original purchaser or to the first user for the period of 5 years from the date of manufacture as indicated by the date code stamped on each product and when properly installed and under normal conditions of use. For additional warranty guide line, please refer to our Complete Product Catalog OR call Customer Service at 1-323-599-5000.

DUE TO A PROGRAM OF CONTINUOUS IMPROVEMENT, FULHAM Co., INC RESERVES THE RIGHT TO MAKE ANY VARIATION IN DESIGN OR CONSTRUCTION TO THE EQUIPMENT DESCRIBED.

Address : 12705 South Van Ness Ave., Hawthorne, CA 90250 Tel.: 1-323-599-5000, Fax.: 1-323-754-9060. Website: www.fulham.com 2006-43SP-1 rev F



SPECIFICATION SHEET : WH2-120-C

This Is An Original Product From Fulham Co., Inc

Description : WorkHorse Series Versatile, Solid State Electronic Ballast. Small Case Size, High Power Factor, Light Weight, Available In 120/230/277V 50/60 Hz.

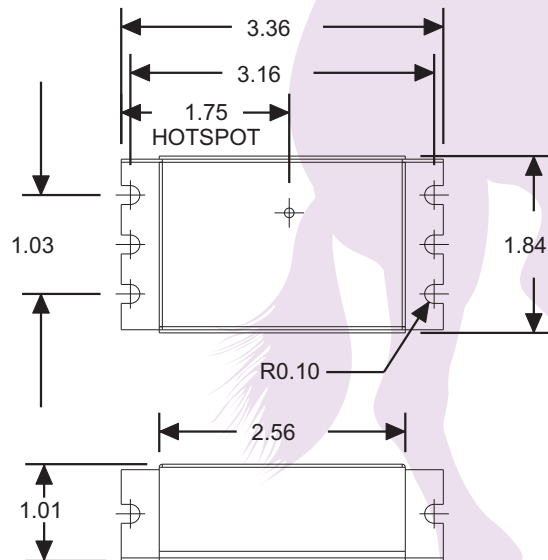
This Ballast Will Operate Following Lamps.

REFER TO LAMP WATTS/TYPE

ELECTRICAL DATA

INPUT VOLT: 120V ± 10%, 50/60Hz					
LAMP WATTS/TYPE	LAMPS OPERATED	INPUT WATTS	LINE CURRENT	BALLAST FACTOR	EFFICACY FACTOR
13CFQ/E	2	26	0.23	0.9	3.3
13CFQ/E	1	16	0.15	1.0	6.4
F35T5	1	32	0.28	0.8	2.5
CFT9W	2	17	0.15	0.9	5.1
CFT9W	1	19	0.17	1.0	5.4
CFT13W	1	15	0.14	1.0	6.7
POWER FACTOR		> 0.9			
THD		< 38.7 %			
CURRENT CREST FACTOR		-			
EMI/RFI COMPLIANCE		FCC PART 18-A			
SOUND RATING		" A "			
BALLAST TYPE		INSTANT START			
VOLTAGE TRANSIENTS		ANSI C82.11 - 1993			
INPUT/PROTECTION		FUSE			
MIN. OPERATING TEMP		- 30 °C (- 20 °F)			
MAX. CASE TEMP		70 °C (158 °F)			
APPROVALS/CLASS		UL LISTED, CLASS " P ", 1 OR 2 OUTDOOR			

MECHANICAL DATA



Where : L = Length, W = Width, H = Height

WIRING DIAGRAMS

WIRE	BLACK	WHITE	RED	BLUE	YELLOW	BROWN
LENGTH - INCHES	12 ± 1"	12 ± 1"	36 ± 1"	-	36 ± 1"	-

FOR WIRING DIAGRAM,
PLEASE REFER TO FULHAM'S CATALOG

NOTE : This Ballast Must Be Grounded

Fulham Co., Inc extends limited warranty only to the original purchaser or to the first user for the period of 5 years from the date of manufacture as indicated by the date code stamped on each product and when properly installed and under normal conditions of use. For additional warranty guide line, please refer to our Complete Product Catalog OR call Customer Service at 1-323-599-5000.

DUE TO A PROGRAM OF CONTINUOUS IMPROVEMENT, FULHAM Co., INC RESERVES THE RIGHT TO MAKE ANY VARIATION IN DESIGN OR CONSTRUCTION TO THE EQUIPMENT DESCRIBED.

Address : 12705 South Van Ness Ave., Hawthorne, CA 90250 Tel.: 1-323-599-5000, Fax.: 1-323-754-9060. Website: www.fulham.com 2006-43SP-2 rev E



SPECIFICATION SHEET : WH2-120-C

This Is An Original Product From Fulham Co., Inc

Description : WorkHorse Series Versatile, Solid State Electronic Ballast. Small Case Size, High Power Factor, Light Weight, Available In 120/230/277V 50/60 Hz.

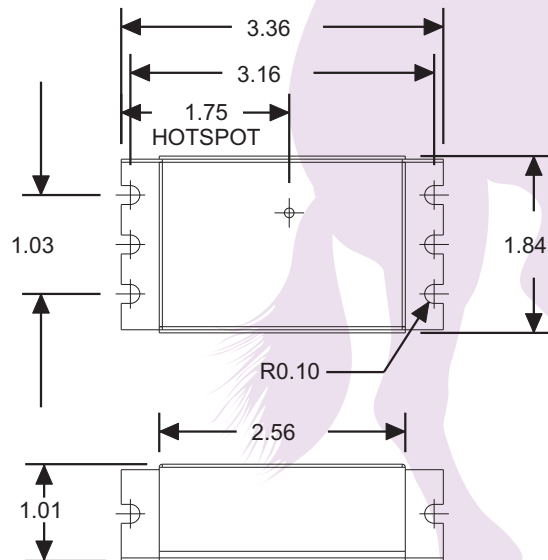
This Ballast Will Operate Following Lamps.

REFER TO LAMP WATTS/TYPE

ELECTRICAL DATA

INPUT VOLT: 120V ± 10%, 50/60Hz					
LAMP WATTS/TYPE	LAMPS OPERATED	INPUT WATTS	LINE CURRENT	BALLAST FACTOR	EFFICACY FACTOR
CFQ18W	1	17	0.15	0.8	4.9
CFQ18W	2	25	0.22	0.6	2.5
CFQ26W	1	20	0.18	0.5	2.5
CFTR18W	1	18	0.16	1.0	5.3
CFTR26W	1	26	0.23	0.9	3.5
CFTR32W	1	31	0.27	0.8	2.7
F42T6	1	27	0.24	0.9	3.5
F21T5	2	37	0.33	0.8	2.1
POWER FACTOR	> 0.9				
THD	< 38.7 %				
CURRENT CREST FACTOR	-				
EMI/RFI COMPLIANCE	FCC PART 18-A				
SOUND RATING	" A "				
BALLAST TYPE	INSTANT START				
VOLTAGE TRANSIENTS	ANSI C82.11 - 1993				
INPUT/PROTECTION	FUSE				
MIN. OPERATING TEMP	- 30 °C (- 20 °F)				
MAX. CASE TEMP	70 °C (158 °F)				
APPROVALS/CLASS	UL LISTED, CLASS " P ", 1 OR 2 OUTDOOR				

MECHANICAL DATA



Where : L = Length, W = Width, H = Height

WIRING DIAGRAMS

WIRE	BLACK	WHITE	RED	BLUE	YELLOW	BROWN
LENGTH - INCHES	12 ± 1"	12 ± 1"	36 ± 1"	-	36 ± 1"	-

FOR WIRING DIAGRAM,
PLEASE REFER TO FULHAM'S CATALOG

NOTE : This Ballast Must Be Grounded

Fulham Co., Inc extends limited warranty only to the original purchaser or to the first user for the period of 5 years from the date of manufacture as indicated by the date code stamped on each product and when properly installed and under normal conditions of use. For additional warranty guide line, please refer to our Complete Product Catalog OR call Customer Service at 1-323-599-5000.

DUE TO A PROGRAM OF CONTINUOUS IMPROVEMENT, FULHAM Co., INC RESERVES THE RIGHT TO MAKE ANY VARIATION IN DESIGN OR CONSTRUCTION TO THE EQUIPMENT DESCRIBED.

Address : 12705 South Van Ness Ave., Hawthorne, CA 90250 Tel.: 1-323-599-5000, Fax.: 1-323-754-9060. Website: www.fulham.com 2006-43SP-3 rev E



SPECIFICATION SHEET : WH2-120-C

This Is An Original Product From Fulham Co., Inc

Description : WorkHorse Series Versatile, Solid State Electronic Ballast. Small Case Size, High Power Factor, Light Weight, Available In 120/230/277V 50/60 Hz.

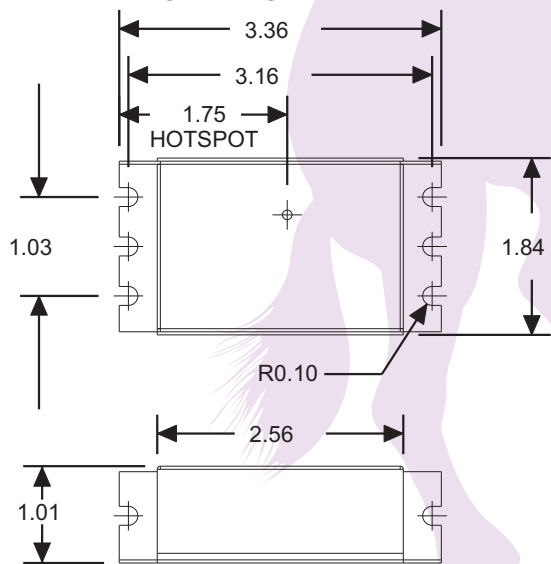
This Ballast Will Operate Following Lamps.

REFER TO LAMP WATTS/TYPE

ELECTRICAL DATA

INPUT VOLT: 120V ± 10%, 50/60Hz					
LAMP WATTS/TYPE	LAMPS OPERATED	INPUT WATTS	LINE CURRENT	BALLAST FACTOR	EFFICACY FACTOR
F14T5	1	17	0.15	1.1	6.3
F8T5	1	11	0.10	1.1	10.5
F13T5	1	17	0.15	1.0	5.8
F21T5	1	23	0.20	1.0	4.1
F28T5	1	30	0.26	0.9	3.1
F14T5	2	25	0.22	0.8	3.1
POWER FACTOR	> 0.9				
THD	< 38.7 %				
CURRENT CREST FACTOR	-				
EMI/RFI COMPLIANCE	FCC PART 18-A				
SOUND RATING	" A "				
BALLAST TYPE	INSTANT START				
VOLTAGE TRANSIENTS	ANSI C82.11 - 1993				
INPUT/PROTECTION	FUSE				
MIN. OPERATING TEMP	- 30 °C (- 20 °F)				
MAX. CASE TEMP	70 °C (158 °F)				
APPROVALS/CLASS	UL LISTED, CLASS " P ", 1 OR 2 OUTDOOR				

MECHANICAL DATA



Where : L = Length, W = Width, H = Height

WIRING DIAGRAMS

WIRE	BLACK	WHITE	RED	BLUE	YELLOW	BROWN
LENGTH - INCHES	12 ± 1"	12 ± 1"	36 ± 1"	-	36 ± 1"	-

FOR WIRING DIAGRAM,
PLEASE REFER TO FULHAM'S CATALOG

NOTE : This Ballast Must Be Grounded

Fulham Co., Inc extends limited warranty only to the original purchaser or to the first user for the period of 5 years from the date of manufacture as indicated by the date code stamped on each product and when properly installed and under normal conditions of use. For additional warranty guide line, please refer to our Complete Product Catalog OR call Customer Service at 1-323-599-5000.

DUE TO A PROGRAM OF CONTINUOUS IMPROVEMENT, FULHAM Co., INC RESERVES THE RIGHT TO MAKE ANY VARIATION IN DESIGN OR CONSTRUCTION TO THE EQUIPMENT DESCRIBED.

Address : 12705 South Van Ness Ave., Hawthorne, CA 90250 Tel.: 1-323-599-5000, Fax.: 1-323-754-9060. Website: www.fulham.com 2006-43SP-4 rev E