

LC-0RGB-D5-06

Features

Compatible with all common RGB strips and low voltage RGB lamps, Built-in 16 modes and can be controlled by a small key board. Automatically adapt to LED light which works at DC12V or DC24V. Hardware PWM dimmer without any flashes. High-power MOS driver, the whole current of the RGB three channels reaches to 9A. Compatible with WC12 also.

Controller LC-0RGB-D5-06



Key board LC-0RGB-D5-04



Electricity Parameter

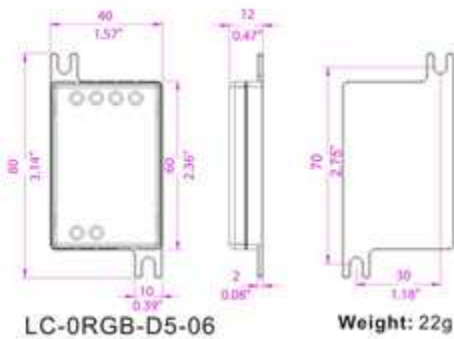
Input Voltage: 12/24V DC

Output channel: three channels of RGB

Output Current: 3A for each channel

Output Power: 108W (12V input) /216W(24V input)

Dimensions (Unit: mm/inch)



Function Descriptions

1. 16 Modes, such as 7 colors static mode (dimming alone), 7 colors jump and smooth fade (available with pause/freeze function)

2. 50 levels of brightness adjustment

3. 50 levels of speed adjustment

Changing Patterns

Static red	Static White	Purple fade in and out
Static Green	Seven colors jump	Cyan fade in and out
Static blue	Red fade in and out	White fade in and out
Static yellow	Green fade in and out	RGB fade in and out
Static purple	Blue fade in and out	
Static Cyan	Yellow fade in and out	

Operation Descriptions

1. Function of key board keys

POWER Power on/off

PAUSE Freeze the status when fade or jump, invalid under static mode

MODE+ Mode +

MODE- Mode-

SPEED+ Speed+, invalid under static mode

SPEED- Speed-, invalid under static mode

BRT+ Brightness+, invalid under light fade mode except pause is enabled

BRT- Brightness-, invalid under light fade mode except pause is enabled

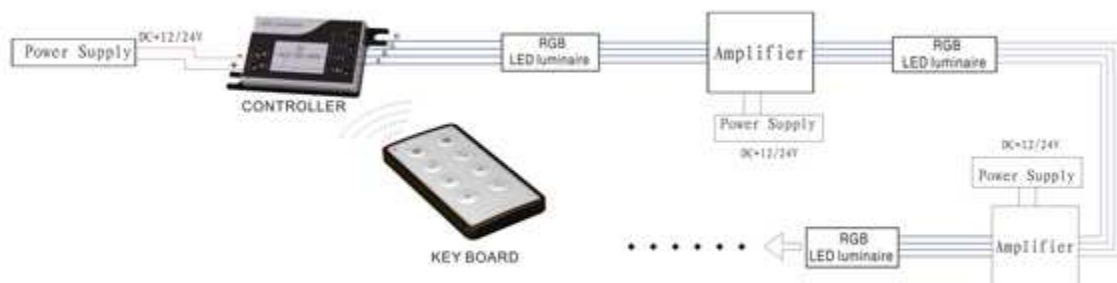
2. How to match a controller with a key board with different address code?

If the user loses the key board, an economic way is to keep the controller and buy another key board. Then match these 2 devices.

(1). Connect a RGB LED luminaire. Use a pointed thing (such as small screw driver)to press the address key on the upside. When the LED luminaire changes to red color, it means the controller is ready to match the key board.

(2). Press any key on the key board. If the luminaire changes to green color, it means the controller has already matched the key board.

Controller Installation And Connection Diagram



Cautions

1. Please make sure the average current of each channel not more than 4A, overload may destroy the controller.

2. This controller has the constant voltage driver; the output voltage is the same as the input, so

please choose a suitable DC power supply to avoid destroying your product.

3. Use DC 12V/24V power supply, Civil HVPS is forbidden

4. Need to match with key board only when the present controller doesn't response to the key board.

5. If the controller doesn't work when it is connected with the RGB LED luminaries.

(1) Please check whether the power supply is working.

(2) If the power supply is ok, maybe the controller is under the fade mode and PAUSE function enabled, press the MODE key on the key board several times to change into other modes or disconnect the power supply and connect again.

(3) Match the key board again as before.