

## PERFORMANCE

- Sound Rated: A
- Minimum Starting Temperature: -20°F, -29°C
- Maximum Case Temperature: 194°F, 90°C
- Meets FCC Part 18 (Class A) Non Consumer Limits
- Electronic Sign Ballast for 4, 3, 2 and 1 T12HO lamps up to 8 ft long or any combination thereof from 4-32 ft
- Electronic Sign Ballast for 4, 3, 2 and 1 T8HO lamps up to 6 ft long or any combination thereof from 4-24 ft

## APPROVALS

- HL Type - Hazardous Location
- UL, cUL 935 Listed



## HOT SPOT LOCATION



## WIRE LENGTHS

- (1) Black 24"
- (1) White 24"
- (1) Yellow 120"
- (1) Yellow/Black 120"
- (2) Red 120"
- (2) Blue 120"

**3 YEAR WARRANTY FROM DATE OF MANUFACTURE**

## ELECTRONIC FLUORESCENT SIGN BALLAST

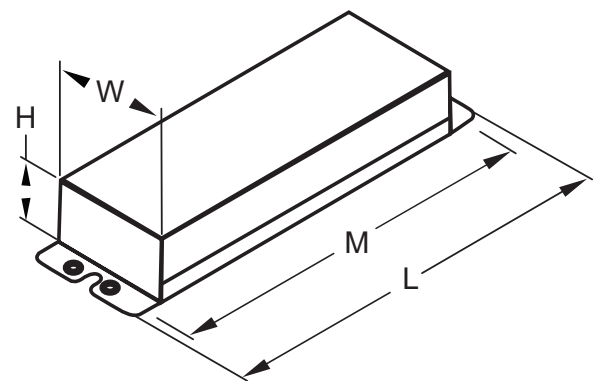
<b>Ballast Type</b>	Electronic	<b>Starting Method</b>	Instant Start
<b>Lamp Connection</b>	Parallel	<b>Input Voltage</b>	120 ~ 277Vac ± 10%
<b>Input Frequency</b>	50Hz / 60Hz		

## Electrical Specifications

Lamp Type	No. of Lamps	Lamp Footage		Volts	Input Watts	Input Current (Amps)	Power Factor	Crest Factor	Max. THD %
		Min	Max						
<b>F96T12/HO</b>	4, 3, 2, 1	4	32	120	267	2.40	>0.90	<1.7	10
<b>F96T12/HO</b>	4, 3, 2, 1	4	32	277	267	1.00	>0.90	<1.7	10
<b>F72T8/HO</b>	4, 3, 2, 1	4	24	120	244	2.20	>0.90	<1.7	10
<b>F72T8/HO</b>	4, 3, 2, 1	4	24	277	242	0.90	>0.90	<1.7	10

## Physical Dimensions

Length (L): 11.65"  
 Width (W): 3.15"  
 Height (H): 1.85"  
 Mounting (M): 11.2"

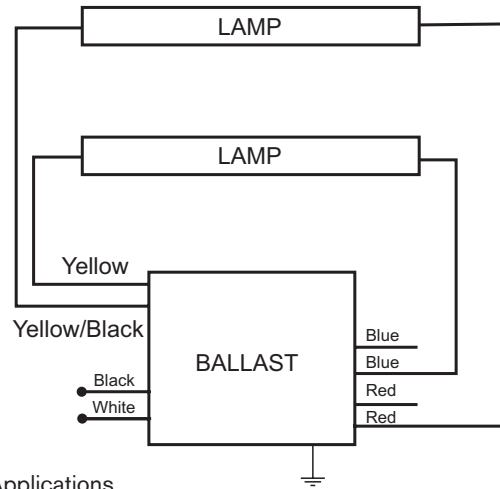
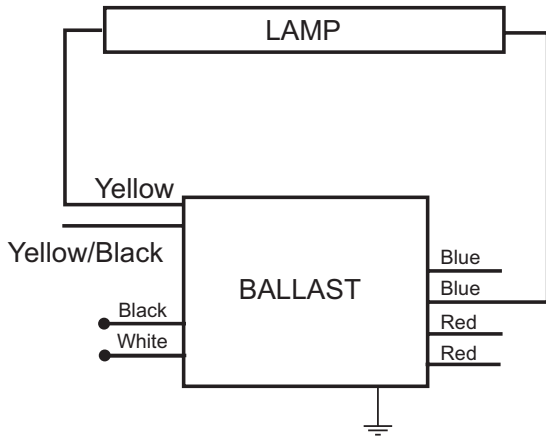


## Wiring Diagram

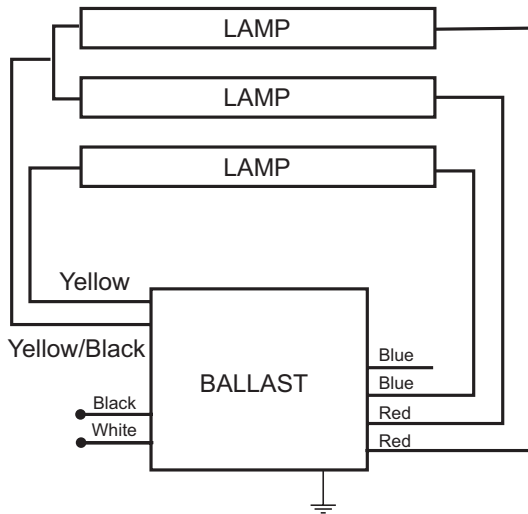
Shown on Pg. 2



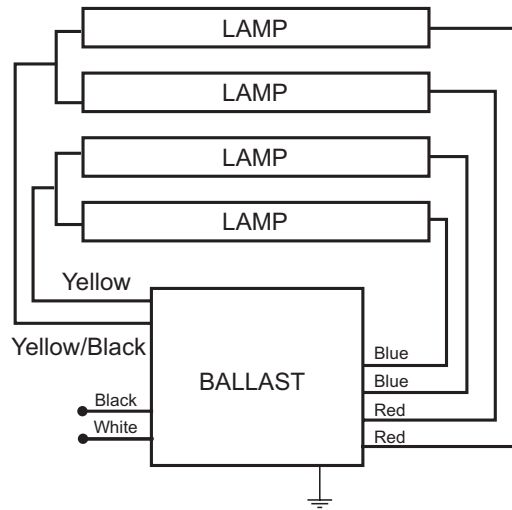
## Wiring Diagram Continued



One and Two Lamp Applications  
(Individually cap red and blue leads)



Three Lamps Application  
(Individually cap red and blue leads)



Four Lamps Application