



PERFORMANCE

- Minimum Starting Temperature: -20°F
- Maximum Case Temperature: 194°F, 90°C
- OCV: 790V

APPROVALS

- HL Type - Hazardous Location
- UL, cUL 935 Listed
- Class P
- Type 2 Outdoor



WIRE LENGTHS

- (1) Black 24"
- (1) White 24"
- (2) Brown 52"
- (1) Yellow 70"
- (2) Blue/White 52"
- (2) Red 32"
- (2) Blue 74"

3 YEAR WARRANTY FROM DATE OF MANUFACTURE

MAGNETIC FLUORESCENT SIGN BALLAST

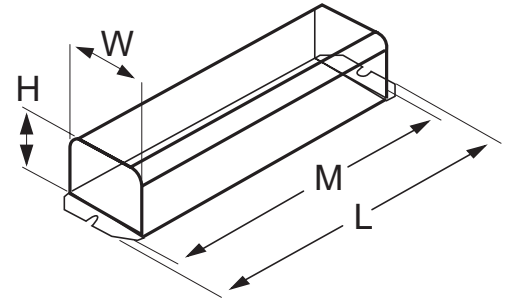
Ballast Type	Magnetic	Starting Method	Rapid Start
Lamp Connection	Series	Input Voltage	120Vac +5/ -10%
Input Frequency	60Hz		

Electrical Specifications

Lamp Type	No. of Lamps	Lamp Footage	Input Watts	Input Current (Amps)	Power Factor	Crest Factor	Ballast Factor	Ballast Efficacy Factor	Max. THD %
F72T12/HO	2	12	165	1.4	>0.98	<1.8	0.83	0.50	15
F72T12/HO	3	18	230	1.9	>0.98	<1.8	0.79	0.34	15
F72T12/HO	4	24	285	2.5	>0.96	<1.8	0.77	0.27	20

Physical Dimensions

Length (L): 14.31"
Width (W): 3.19"
Height (H): 2.63"
Mounting (M): 13.75"



Wiring Diagram

