



## PERFORMANCE

- Minimum Starting Temperature: -20°F
- Maximum Case Temperature: 194°F, 90°C
- OCV: 810V

## APPROVALS

- HL Type - Hazardous Location
- UL, cUL 935 Listed
- Class P
- Type 2 Outdoor



## WIRE LENGTHS

- (1) Black 24"
- (1) White 24"
- (2) Brown 72"
- (2) Yellow 72"
- (2) Blue 80"
- (2) Blue/White 54"
- (2) Red 80"

**3 YEAR WARRANTY FROM DATE OF MANUFACTURE**

## MAGNETIC FLUORESCENT SIGN BALLAST

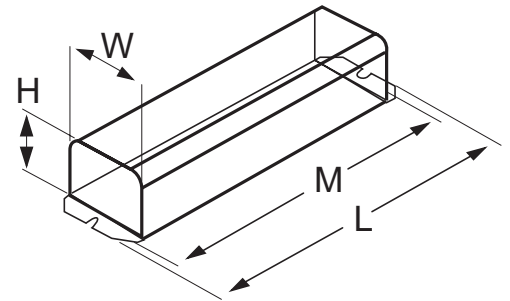
<b>Ballast Type</b>	Magnetic	<b>Starting Method</b>	Rapid Start
<b>Lamp Connection</b>	Series	<b>Input Voltage</b>	120Vac +5/ -10%
<b>Input Frequency</b>	60Hz		

## Electrical Specifications

Lamp Type	No. of Lamps	Lamp Footage	Input Watts	Input Current (Amps)	Power Factor	Crest Factor	Ballast Factor	Ballast Efficacy Factor	Max. THD %
F120T12/HO	2	20	235	2.6	>0.77	<1.8	0.72	0.31	25
F120T12/HO	3	30	333	3.1	>0.92	<1.8	0.73	0.22	20
F120T12/HO	4	40	433	3.7	>0.97	<1.8	0.75	0.17	12

## Physical Dimensions

Length (L): 19.19"  
Width (W): 3.19"  
Height (H): 2.69"  
Mounting (M): 18.63"



## Wiring Diagram

