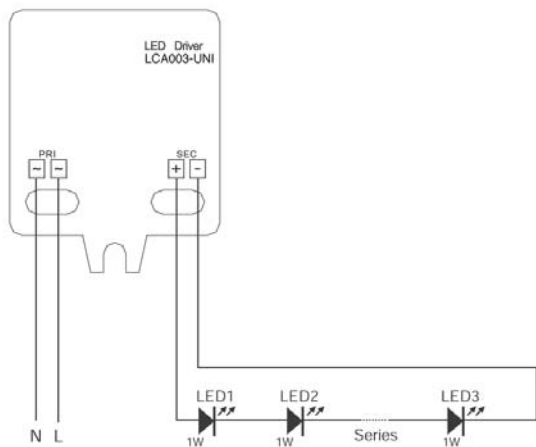




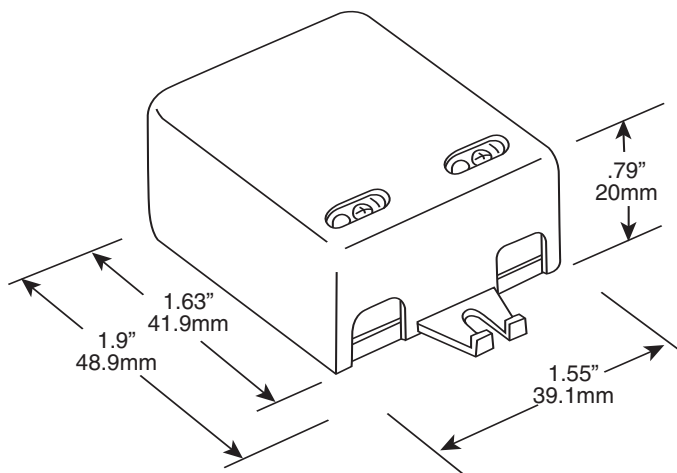
ELECTRONIC SPECIFICATIONS

Input Voltage Range	90-264VAC
Input Frequency	50/60Hz
Output Power	1-3W
Input Current	40mA@230VAC
Output Voltage	3-9VDC
Output Current	350mA
Power Factor	0.55
Ambient Temp.	-20°+50°C
Case Temp. (Tc)	+90°C

WIRING DIAGRAM



DIMENSIONS



LED TYPE

High Power LED 3W x 1

Terminals	:	Input: Screws Terminal Output: Screws Terminal
Case Material	:	Polycarbonate
RoHS Compliant	:	Yes
UL1310 Compliant	:	Yes
Indoor Use	:	Low Humidity / No Condensation

Regulatory Approvals

