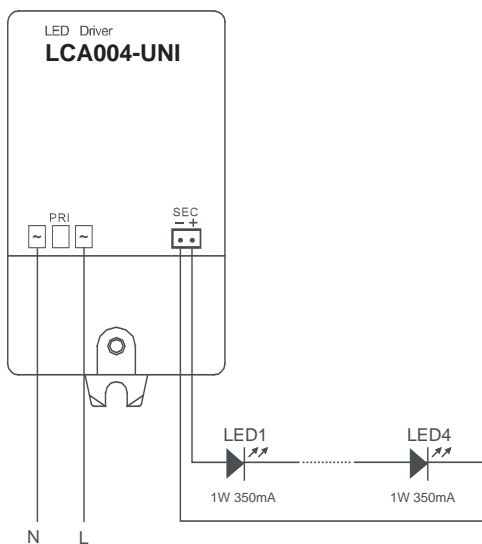


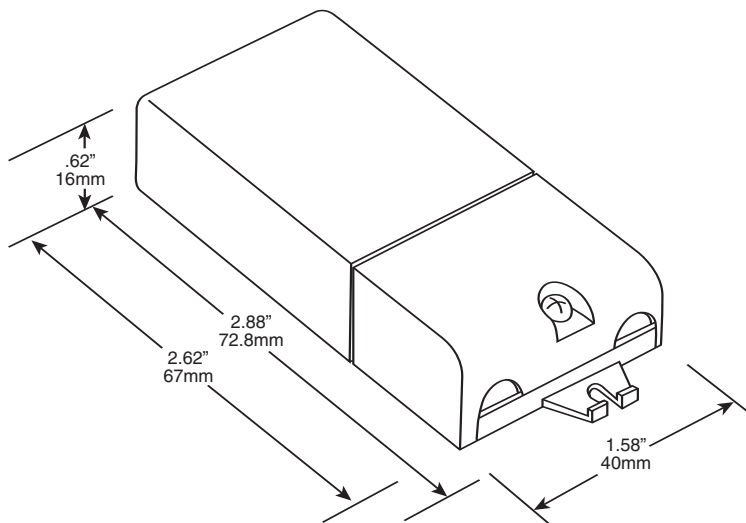
ELECTRONIC SPECIFICATIONS

Input Voltage Range.....	90-264VAC
Input Frequency.....	50/60Hz
Output Power.....	0.7-4.6W
Input Current.....	55V
Output Voltage.....	2-13.2VDC
Output Current.....	315-385mA
Power Factor.....	0.55
Ambient Temp.....	-20°+50°C
Case Temp. (Tc).....	+90°C
Class 2.....	Yes

WIRING DIAGRAM



DIMENSIONS



LAMP TYPE

High Power LED 1W x 1-4
1.155W x 1-4

Terminals	:	Input : Screw Terminal Output : Quick Connect
Case Material	:	Polycarbonate
RoHS Compliant	:	Yes
UL1310 Compliant	:	Yes
Indoor Use	:	Low Humidity / No Condensation

Regulatory Approvals

