

12/28/2012

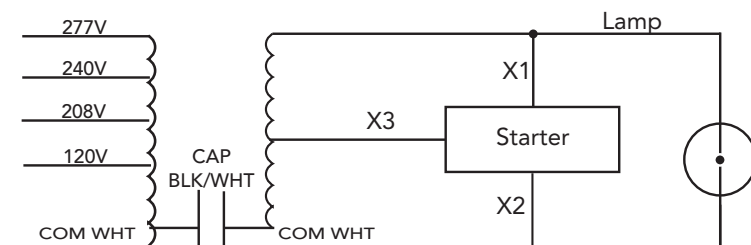
**1000 Watt S52 60Hz
High Pressure Sodium**

Project:	
Catalog#:	
Approved by:	

Input Volts (60 hz)	120	208	240	277
Input Watts	1087	1038	1091	1084
Approx Line Current (Amps)*	9.5	5.5	4.8	4.2
Circuit Type	CWA			
ANSI	S52			
Insulation Class	Class H			
Power Factor	> 90%			
Regulation	Line Volts: ±10% Lamp Watts: ±10%			
Min. Ambient Starting Temp.	-40°F/-40°C			
High Potential Test (Volts)	1 Minute: 1650 1 Second: 2000			
Lead Lengths (inches)	12			
UL Temperature Ratings*	1029B			
Capacitor*	26.0/525v Min. Included in kit.			
Starter/Ignitor	ST2002. Included in kit			

* See Ballast Label for exact values and additional information

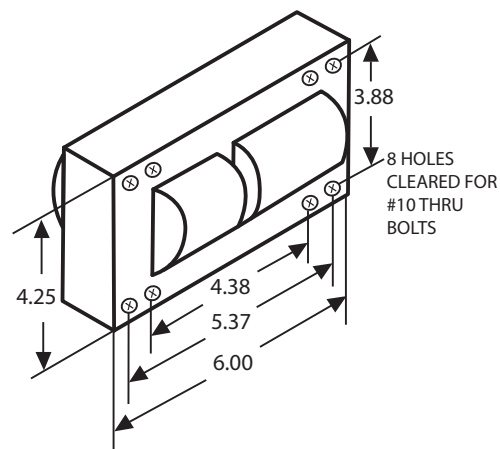
WIRING DIAGRAM



HID Ballast Kit

- Ballast
- Capacitor
- Starter
- Mounting Bracket

DIMENSIONAL DRAWING



Specifications subject to change without notice.

