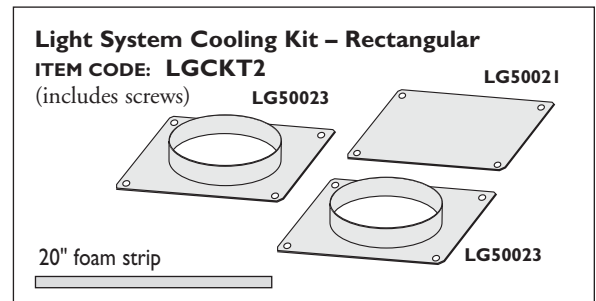


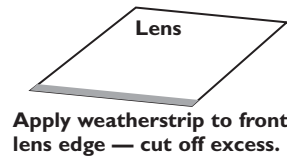
# Light System Cooling Kit Instructions

The best way to get the most from your unit is to use our kit along with aluminum dryer ducting (from your nearest hydroponic retail store) to exhaust heat and cool your growing area in warm climates or, in cool winter conditions, to recirculate warm air for heating. You can also use vent covers to block unused ports. This method can be used for a single stand-alone light to simply exhaust warm air.



## ITEMS INCLUDED

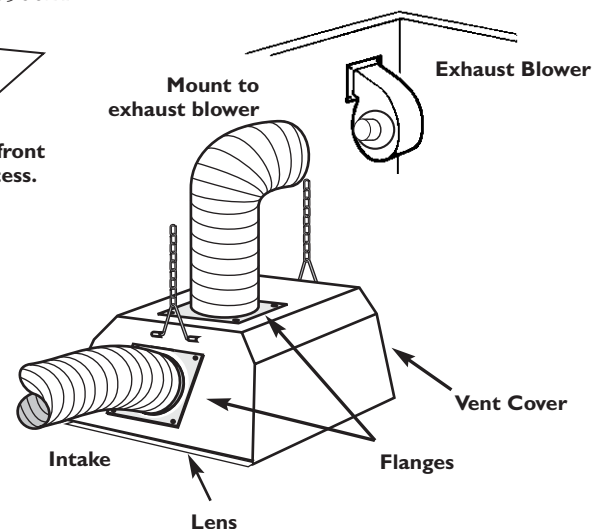
- 2- Exhaust/Fan Flanges (fit Super Grow Wing, Sunburst or Radiant) - LG50021
- 1- Reflector Vent Cover - LG50026
- 3- Flange Screw Mounting Packs
- 1- Self-stick Foam Weatherstrip - 20" long



## ALTERNATIVE 1 — IN FRONT/OUT TOP

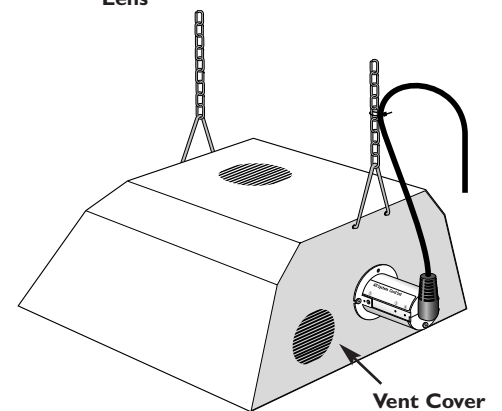
Refer to the diagrams and follow these steps:

1. Using screws provided, attach flange to top of reflector.
2. Using screws provided, attach flange to front of reflector.
3. Using screws provided, attach vent cover plate to rear of reflector.
4. Use aluminized 4" ducting (not provided) to attach to flange and route up to exhaust blower flange.



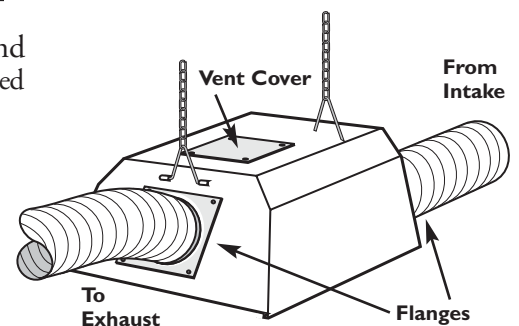
## ALTERNATIVE 2 — IN-LINE AIR FLOW

Instead of mounting the cover on the back of the reflector, it can be mounted on the top and the flange can be mounted on the rear of the reflector to allow horizontal, straight-through circulation. This method can also be used for multiple lights in-line, however, it will be less effective for lights further down the stream of airflow.



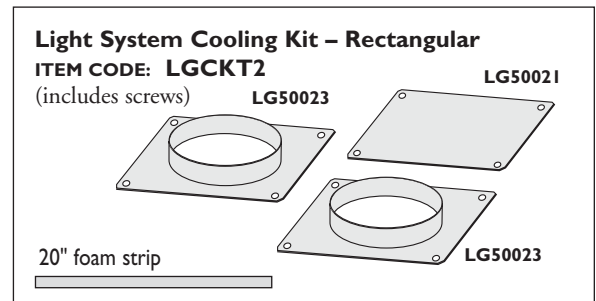
## RECTANGULAR FLANGE KIT — ITEM CODE: LGCKT2

- Fits Radiant — all vents
- Fits Radiant ballast enclosure
- Fits Sunburst — all vents
- Fits Super Grow Wing — rear and top vents (does *not* fit outward formed louvers on front of older models)
- Does not fit Dayton brand fans



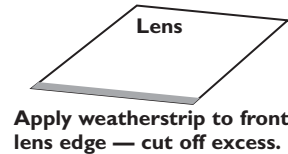
# Light System Cooling Kit Instructions

The best way to get the most from your unit is to use our kit along with aluminum dryer ducting (from your nearest hydroponic retail store) to exhaust heat and cool your growing area in warm climates or, in cool winter conditions, to recirculate warm air for heating. You can also use vent covers to block unused ports. This method can be used for a single stand-alone light to simply exhaust warm air.



## ITEMS INCLUDED

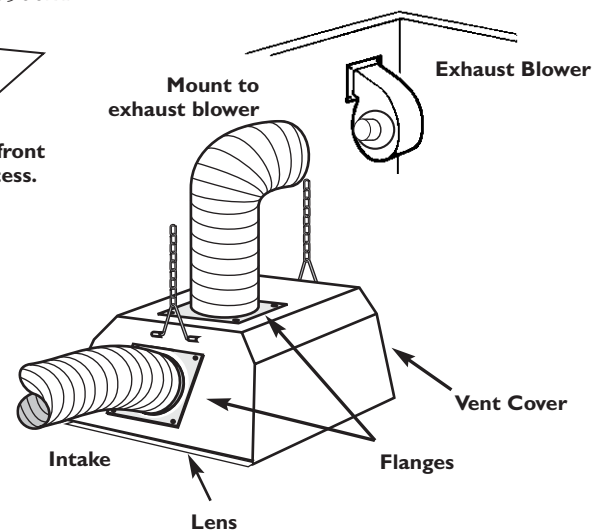
- 2- Exhaust/Fan Flanges (fit Super Grow Wing, Sunburst or Radiant) - LG50021
- 1- Reflector Vent Cover - LG50026
- 3- Flange Screw Mounting Packs
- 1- Self-stick Foam Weatherstrip - 20" long



## ALTERNATIVE 1 — IN FRONT/OUT TOP

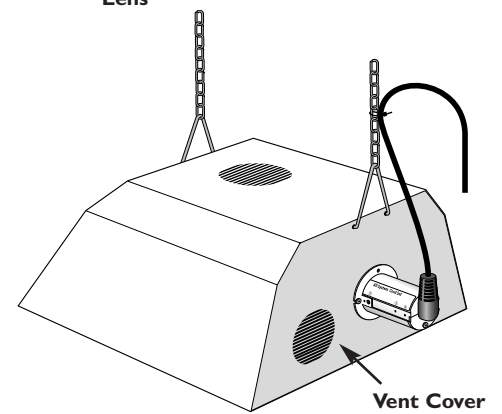
Refer to the diagrams and follow these steps:

1. Using screws provided, attach flange to top of reflector.
2. Using screws provided, attach flange to front of reflector.
3. Using screws provided, attach vent cover plate to rear of reflector.
4. Use aluminized 4" ducting (not provided) to attach to flange and route up to exhaust blower flange.



## ALTERNATIVE 2 — IN-LINE AIR FLOW

Instead of mounting the cover on the back of the reflector, it can be mounted on the top and the flange can be mounted on the rear of the reflector to allow horizontal, straight-through circulation. This method can also be used for multiple lights in-line, however, it will be less effective for lights further down the stream of airflow.



## RECTANGULAR FLANGE KIT — ITEM CODE: LGCKT2

- Fits Radiant — all vents
- Fits Radiant ballast enclosure
- Fits Sunburst — all vents
- Fits Super Grow Wing — rear and top vents (does *not* fit outward formed louvers on front of older models)
- Does not fit Dayton brand fans

