

# IllumaTech™ Innovations



An Innovative  
New Family of  
Smooth, Slide  
Bar and Rotary  
Decora-Style  
Dimmers and  
Fan Speed  
Controls with  
Preset and  
Non-Preset  
Models

# IllumaTech Innovations

---

Innovative lighting solutions require innovative lighting controls. And the IllumaTech family of preset and non-preset lighting controls delivers.

Leviton started by applying a precise captured slide-bar action with distinctive Decora-styling across the entire line, giving a true family look to IllumaTech that blends beautifully with traditional and contemporary interiors. From incandescent, magnetic low-voltage, electronic low-voltage, and Mark 10™ fluorescent slide dimmers, to full range and quiet fan-speed controls, you'll find preset and non-preset IllumaTech lighting controls to match your every inspiration.

Then we added the classic rotary design, which reflects the best of both worlds—the ease of a rotary dial wrapped in the contemporary elegance of our Decora styling. There are Push-ON/Push-OFF illuminated and non-illuminated versions for single-pole and 3-way installations, quiet fan speed controls and combination dimmer/fan speed devices. The slim, compact housing fits easily in a standard wallbox and is suitable for multi-gang installations.

We've also developed snap-on Color Change Kits that allow quick and easy color changes on any slide control, eliminating the need to buy separate devices every time your color scheme needs to be changed. And to simplify inventory and installation even further, we've designed IllumaTech preset versions to provide either single-pole (one-location) or 3-way (multi-location) control when used with a standard 3-way ON/OFF switch.

The innovations certainly don't stop there. We've showered attention on the details, as well, to bring performance up from the ordinary to the extraordinary with:

- A preset push ON/OFF switch that's universally designed for easy action, accommodating use by people of all ages and abilities
- A fluid slide movement in the slide bar to allow fine adjustment of light levels with minimal effort
- A captured, wrap-around non-protruding slide-bar that stays in place and cannot fall off during use
- A power failure recovery feature that ensures retention of the last setting before power interruption
- A locator light that is positioned in the same area on both preset and non-preset versions, adding to the family look of the devices...not to mention making it easier to find the switch in dark rooms



# Lighting and Fan Speed Control With Flair:

## Two Perfect Solutions



### ***IllumaTech Preset Slide Dimmers and Fan Speed Controls: Offering "Set-And-Forget" Convenience With Style***

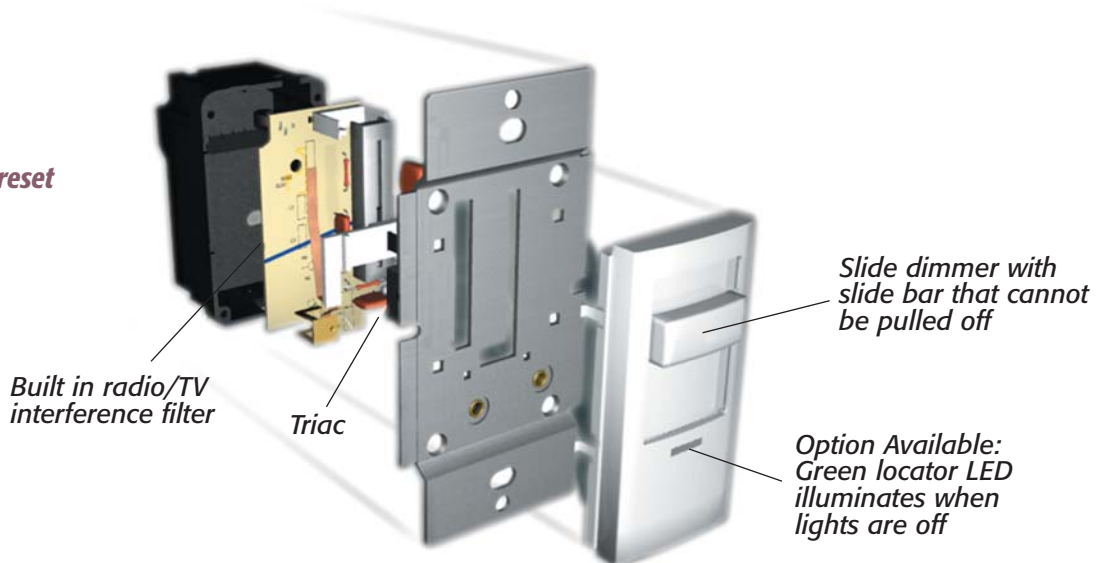
IllumaTech Preset Dimmers and Fan Speed Controls feature a low-profile fluid slide bar movement for fine adjustment of light levels or fan speeds that's accompanied by an easy-to-use ON/OFF preset switch. The switch provides quick ON/OFF control without disturbing your favorite pre-selected settings. Most feature a built-in LED locator light, as well. Models are available for incandescent, magnetic or electronic low-voltage, and Mark 10™ *Powerline*\* dimming-ballast fluorescent lighting, and quiet and standard fan speed control. All Preset models are designed for both single-pole (one-location) and 3-way (multi-location) applications.

*\* Mark 10™ Powerline is a registered trademark of the Advance Transformer Company*

### ***IllumaTech Non-Preset Dimmers and Fan Speed Controls: Providing Smooth Operation With A Touch of Elegance***

Attractive Decora styling and fluid slide movement for fine adjustment of light levels make these streamlined IllumaTech Non-Preset Dimmers and Fan Speed Controls perfect additions to any interior. Models are available for incandescent, magnetic low-voltage, and quiet and standard fan speed control. All Non-Preset models are designed for single-pole (one-location) operation only

### ***IllumaTech Non-Preset Series IN106***



# *IllumaTech – The Right Solutions For Every Application*

## ***Turn Incandescent Flood Lights Into A Gentle Flow***

Fine tune a row of incandescent floods for just the right mood to complement soft music and easy conversation with the precise slide-bar action of IllumaTech's incandescent dimmers.



## ***Classic Rotary Control with Decora Elegance***

IllumaTech rotary controls coordinate with Leviton's complete line of Decora devices for a harmonious look throughout the home.





***Let your Fluorescents Flourish***

From client meetings to strategy sessions, put your business on the map with lighting that's just right for every task thanks to IllumaTech fluorescent dimmers.



RPI06-1LW in 80301-SW

## IllumaTech™ Rotary Controls 120V AC 60Hz Only

All IllumaTech Rotary controls combine the ease of a traditional rotary dial with the contemporary look of Leviton Decora®

DESCRIPTION	CAT. NO.	RATING	COLOR*
IllumaTech Rotary Incandescent, Single-Pole and 3-Way, Illuminated	RPI06-1L	600W	I, W, A
IllumaTech Rotary Incandescent, Single-Pole and 3-Way, Non-Illuminated	RPI06-10	600W	I, W, A
IllumaTech Rotary Quiet Fan Speed Control Single-Pole, Non-Illuminated	RTF01-10	1.5 Amp	I, W, A
IllumaTech Rotary Dual Quiet Fan Speed Control and Fixture Dimmer, Single-Pole, Non-Illuminated	RTD01-10	1.5 Amp Fan Control/ 300W Dimmer	I, W, A

All devices are UL Listed and CSA Certified.

Use Leviton Power Extenders to extend the load capacity of IllumaTech dimmers. Leviton Power Extenders are available for incandescent, magnetic low-voltage, electronic low-voltage, Advance Mark 10™ Powerline fluorescent dimming ballasts or equivalents, and 0-10 VDC dimmable fluorescent ballasts such as Advance Mark 7™ 0-10V, OSRAM Sylvania Quicktronic® Helios™ or equivalents.

### SPECIFICATIONS & FEATURES

- Combines traditional rotary dial with contemporary Decora styling
- Dimmers provide single-pole (one-location) or multi-location (3-way) control when used with a 3-way switch
- Dimmers available in illuminated and non-illuminated versions
- Quiet 1.5 Amp Fan Speed Controls are perfect for libraries, study rooms and any area where ceiling fan noise could become distracting
- Dual fan speed control and dimmer is ideal for ceiling fans with built-in light fixtures
- Attractive Decora styling coordinates perfectly with Leviton's complete line of Decora wiring devices
- Compatible with Decora Plus screwless and Decora standard designer wallplates
- Built-in radio/TV interference filter
- Slim, compact housing fits easily into a standard wallbox and is suitable for multi-gang installations

### TESTING & CODE COMPLIANCE

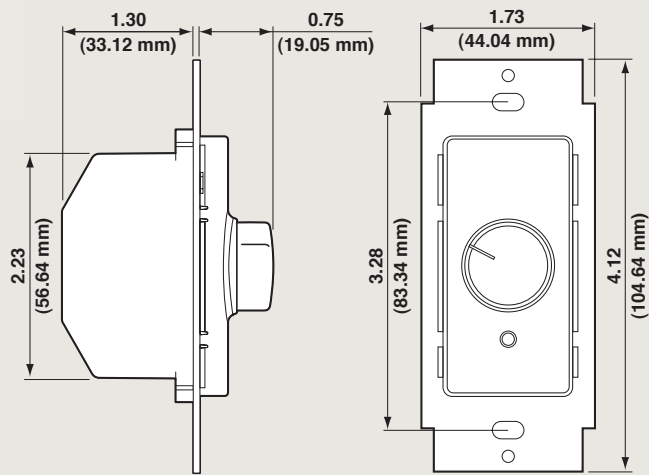
- UL Listed (File #E-31373)
- CSA Certified (File #LR-3413)
- NOM Certified (File #057)
- Backed by a Limited Two-Year Warranty

### \*COLOR

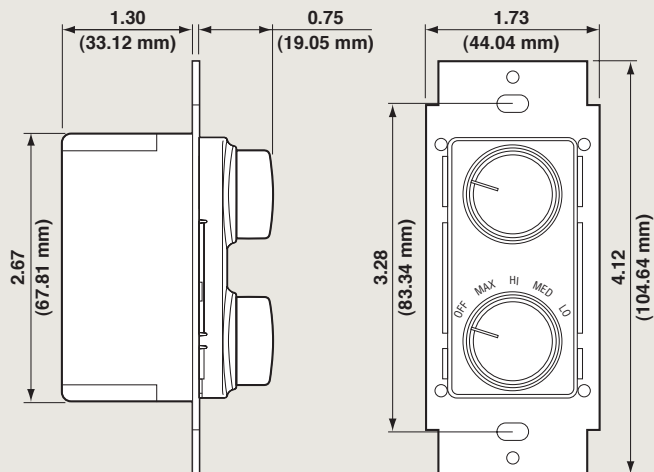
Add suffix to catalog number as follows to indicate color selection: Ivory (-I), White (-W) and Almond (-A).

### MATERIAL CHARACTERISTICS

Environmental: Flammability UL-94, V2 Rating  
Operating Temperature: 32°F to 130°F



ILLUMATECH ROTARY INCANDESCENT  
CAT. NO. IRPI06-1L



ILLUMATECH ROTARY DUAL QUIET FAN SPEED CONTROL/FIXTURE DIMMER  
CAT. NO. RTD01-10

## *IllumaTech – The Right Solutions For Every Application*

---



### ***Put Just The Right Spin On Every Fan In Your Home***

Whether you want to warm things up or cool them off, IllumaTech precision quiet and standard fan speed controls provide the comfort level you need and can help you keep your energy costs from spinning out of control.



IPI06-1LW in 80301-SW

Use Leviton Power Extenders to extend the load capacity of IllumaTech dimmers. Leviton Power Extenders are available for incandescent, magnetic low-voltage, electronic low-voltage, Advance Mark 10™ Powerline fluorescent dimming ballasts or equivalents, and 0–10 VDC dimmable fluorescent ballasts such as Advance Mark 7™ 0-10V, OSRAM Sylvania Quicktronic® Helios™ or equivalents.

### SPECIFICATIONS & FEATURES

- Fluid slide movement allows fine adjustment of light level with minimum effort
- Captured, wrap-around slide bar stays in place and cannot fall off during use
- Preset versions provide easy-to-use pushbutton switch with locator LED conveniently positioned on it, making the pushbutton easier to find in the dark
- Preset versions provide single-pole (one-location) and multi-location lighting control when used with a 3-way switch
- Attractive Decora styling blends with any interior
- Compatible with Decora screwless and Decora standard designer wallplates
- Locator LED is illuminated when lights are OFF. LED is positioned in the same location on both Preset and Non-Preset Preset versions, giving a true “family look” to IllumaTech
- Power failure recovery ensures retention of last setting before power interruption
- Built-in radio/TV interference filter
- Quiet 1.5 Amp Fan Speed Controls are ideal for libraries, study rooms and any area where ceiling fan noise could become distracting. Full range 5-amp fan speed controls also available
- Color change kits feature a self-aligning mechanism that automatically connects it to internal slider
- Snap-On Color Change Kits allow color changes on any device, eliminating the need to stock a separate device for every available color

### TESTING & CODE COMPLIANCE

- UL Listed (File #E-31373)
- CSA Certified (File #LR-3413)
- Backed by a Limited Two-Year Warranty

### \*COLOR

Basic Cat. No. denotes White device. For other colors, order Color Change Kits and add suffix as follows: Ivory (-I), White (-W), Gray (-G), Black (-E), Almond (-A), and Brown (-B).

### MATERIAL CHARACTERISTICS

Environmental: Flammability UL-94, V2 Rating  
Operating Temperature: 32°F to 130°F

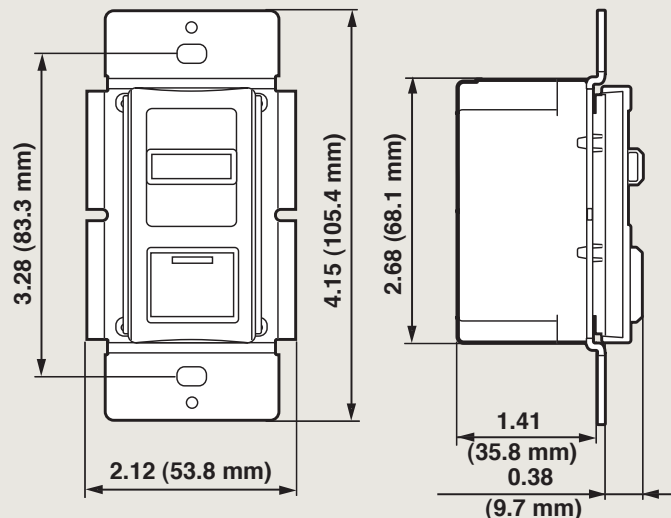
## IllumaTech™ Preset Slide Controls – Single Pole and 3-Way, with LED Locator

All IllumaTech Preset Dimmers provide single-pole (one location) and 3-way (multi-location) control when used with a 3-way switch.

DESCRIPTION	CAT. NO.	RATING	COLOR CHANGE KIT*
IllumaTech Incandescent	IPI06-1LW	600W-120V AC 60 Hz	I, W, A, G, E, B
IllumaTech Incandescent (no LED locator)	IPI06-10W	600W-120V AC 60 Hz	I, W, A, G, E, B
IllumaTech Incandescent	IPI10-1LW	1000W-120V	I, W, A, G, E, B
IllumaTech Electronic Low-Voltage	IPE04-1LW	400VA (300W)-120V AC 60 Hz	I, W, A, G, E, B
IllumaTech Magnetic Low-Voltage	IPM06-1LW	600VA (450W)-120V AC 60 Hz	I, W, A, G, E, B
IllumaTech Magnetic Low-Voltage	IPM10-1LW	1000VA (750W)-120V AC 60 Hz	I, W, A, G, E, B
IllumaTech Advance Mark 7™ 0-10V Fluorescent Dimming Ballast	IP710-DLW	1200VA (900W) @ 120V AC 60Hz, 1500VA (1125W) @ 277V AC 60Hz	I, W, A, G, E, B
IllumaTech Advance Mark 10™ Powerline Fluorescent Dimming Ballast	IPX06-1LW	600VA (450W)-120V AC 60 Hz	I, W, A, G, E, B
IllumaTech Advance Mark 10™ Powerline Fluorescent Dimming Ballast	IPX10-1LW	1000VA (750W)-120V AC 60 Hz	I, W, A, G, E, B
IllumaTech Advance Mark 10™ Powerline Fluorescent Dimming Ballast	IPX06-7LW	600VA (450W) 277V AC 60Hz	I, W, A, G, E, B
IllumaTech Advance Mark 10™ Powerline Fluorescent Dimming Ballast	IPX12-7LW	1200VA (900W) 277V AC	I, W, A, G, E, B
IllumaTech Quiet Fan Speed Control	IPF01-1LW	1.5 Amps-120V AC 60 Hz	I, W, A, G, E, B
IllumaTech Fan Speed Control	IPF05-1LW	5 Amps-120V AC 60 Hz	I, W, A, G, E, B
IllumaTech Color Change Kit	IPKIT-00W	—	I, W, A, G, E, B
IllumaTech Color Change Kit for Quiet Fan Speed Control	IPQFK-00W	—	I, W, A, G, E, B

Note: Sharing a neutral wire may cause flickering. Connect all dimmers to the same phase or run a separate neutral to each phase. Consult Leviton Techline if problems persist.

**Caution on Retrofits:** When retrofitting Mark 10™ dimming ballasts into fixtures that originally used Instant Start Ballasts, the sockets MUST be replaced with Rapid Start sockets to allow proper dimmer operation and prevent damage to the dimming ballast. Refer to instructions provided with the ballast and the Leviton Mark 10 dimmer.



ILLUMATECH PRESET SLIDE DIMMER  
Cat. No. IPI06-1LW





**IllumaTech™ Non-Preset Slide Dimmers – Single-Pole Only, with LED Locator 120V 60 Hz AC Only**

DESCRIPTION	CAT. NO.	RATING	COLOR CHANGE KIT*
IllumaTech Incandescent	INI06-1LW	600W	I, W, A, G, E, B
IllumaTech Incandescent (no LED locator)	INI06-10W	600W	I, W, A, G, E, B
IllumaTech Incandescent	INI10-1LW	1000W	I, W, A, G, E, B
IllumaTech Magnetic Low-Voltage	INM06-1LW	600VA (450W)	I, W, A, G, E, B
IllumaTech Magnetic Low-Voltage	INM10-1LW	1000VA (750W)	I, W, A, G, E, B
IllumaTech Quiet Fan Speed Control	INF01-1LW	1.5 Amps	I, W, A, G, E, B
IllumaTech Fan Speed Control	INF05-1LW	5 Amps	I, W, A, G, E, B
IllumaTech Color Change Kit	INKIT-00W	—	I, W, A, G, E, B
IllumaTech Color Change Kit for Quiet Fan Speed Control	INQFK-00W	—	I, W, A, G, E, B

All devices are UL Listed and CSA Certified.

Use Leviton Power Extenders to extend the load capacity of IllumaTech dimmers. Leviton Power Extenders are available for incandescent, magnetic low-voltage, electronic low-voltage, Advance Mark 10™ Powerline fluorescent dimming ballasts or equivalents, and 0–10 VDC dimmable fluorescent ballasts such as Advance Mark 7™ 0-10V, OSRAM Sylvania Quicktronic® Helios™ or equivalents.

**SPECIFICATIONS & FEATURES**

- Fluid slide movement allows fine adjustment of light level with minimum effort
- Captured, wrap-around slide bar stays in place and cannot fall off during use
- Attractive Decora styling blends with any interior
- Compatible with Decora screwless and Decora standard designer wallplates
- Locator LED is illuminated when lights are OFF. LED is positioned in the same location on both Preset and Non-Preset Preset versions, giving a true “family look” to IllumaTech
- Power failure recovery ensures retention of last setting before power interruption
- Built-in radio/TV interference filter
- Quiet 1.5 Amp Fan Speed Controls are ideal for libraries, study rooms and any area where ceiling fan noise could become distracting. Full range 5-amp fan speed controls also available
- Color change kits feature a self-aligning mechanism that automatically connects it to internal slider
- Snap-On Color Change Kits allow color changes on any device, eliminating the need to stock a separate device for every available color

**TESTING & CODE COMPLIANCE**

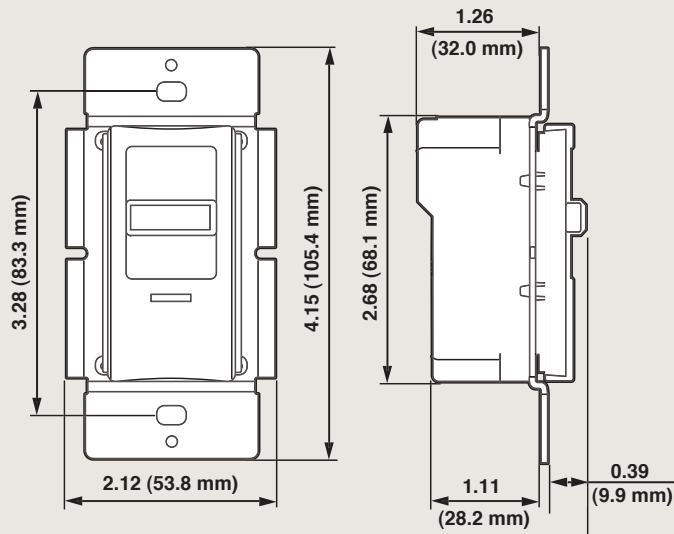
- UL Listed (File #E-31373)
- CSA Certified (File #LR-3413)
- Backed by a Limited Two-Year Warranty

**\*COLOR**

Basic Cat. No. denotes White device. For other colors, order Color Change Kits and add suffix as follows: Ivory (-I), White (-W), Gray (-G), Black (-E), Almond (-A), and Brown (-B).

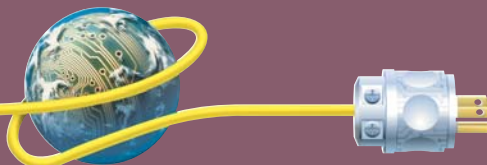
**MATERIAL CHARACTERISTICS**

Environmental: Flammability UL-94, V2 Rating  
Operating Temperature: 32°F to 130°F



**ILLUMATECH NON-PRESET SLIDE DIMMER  
CAT. NO. INI06-1LW**





**Leviton Manufacturing Co., Inc.**

59-25 Little Neck Parkway, Little Neck, NY 11362-2591  
Telephone: 1-800-323-8920 • FAX: 1-800-832-9538  
Tech Line (8:30AM–7:30PM E.S.T. Monday–Friday): 1-800-824-3005

**Leviton Lighting Control Division**

20497 S.W. Teton Avenue, Tualatin, Oregon 97062  
Telephone: (503) 404-5500 • FAX: (503) 404-5600

**Leviton Manufacturing of Canada, Ltd.**

165 Hymus Boulevard, Pointe Claire, Quebec H9R 1E9  
Telephone: 1-800-469-7890 • FAX: 1-800-563-1853

**Visit Leviton's Website at: [www.leviton.com](http://www.leviton.com)**

