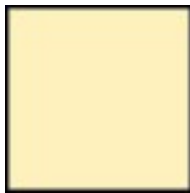




Color: Ivory



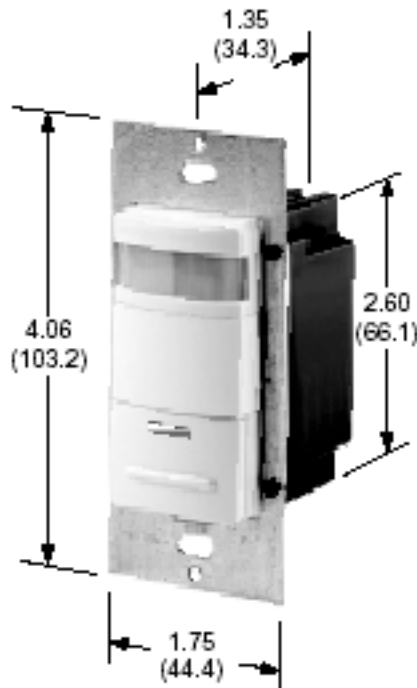
ODS10-IDI

Description

800W@120V INC 1200VA@120V 2700VA@277V FL, 120/277 Volt AC 60Hz, Single-Pole, 180 Degree, 2100 Sq. Ft. Coverage, Decora Passive Infrared Wall Switch Occupancy Sensor, Commercial Grade - Ivory. * 347V available - please consult factory.

Product Features

- Switch Type: Single-Pole
- Adjustment: Manual
- Technology: Passive Infrared
- Pattern Degrees: 180
- Coverage Range Sq. Ft.: 2100
- Time Adjustment: 30s-20m
- Load Rating: 800W@120V INC 1200VA@120V
2700VA@277V FL
- Voltage: 120/277 Volt AC 60Hz
- Wiring Neutral / Ground: Ground Required
- Photo Cell: Ambient Override ON
- Wallplate: Order Separately
- Color: Ivory
- Standards and Certifications: UL/cUL
- Warranty: 5-Year Limited
- Code Compliance: California Title 24



SPECIFICATION SUBMITTAL

JOB NAME: <input type="text"/>	CATALOG NUMBERS: <input type="text"/>	
JOB NUMBER: <input type="text"/>	<input type="text"/>	<input type="text"/>

Leviton Manufacturing Co., Inc.

201 North Service Road, Melville, NY 11747

Telephone: 1-800-323-8920 · FAX: 1-800-832-9538 · Tech Line (8:30AM-7:30PM E.S.T. Monday-Friday): 1-800-824-3005

Leviton Manufacturing of Canada, Ltd.

165 Hymus Boulevard, Pointe Claire, Quebec H9R 1E9 · Telephone: 1-800-469-7890 ·

FAX: 1-800-824-3005 · www.leviton.com/canada

Leviton S. de R.L. de C.V.

Lago Tana 43, Mexico DF, Mexico CP 11290 · Tel.: (+52)55-5082-1040 · FAX: (+52)5386-1797 · www.leviton.com.mx



Visit our Website at: www.leviton.com

© 2007-2009 Leviton Manufacturing Co., Inc. All rights reserved. Subject to change without notice.

Leviton has a global presence.

If you would like to know where your local Leviton office is located please go to:

www.leviton.com/international/contacts/