

Maestro Sensors

Lutron's *Maestro* Dimmer and Switch with occupancy and vacancy sensors are lighting controls with passive infrared sensors that automatically control the lights in an area. These sensors detect the heat from occupants moving within an area to determine when the space is occupied.

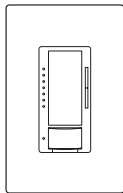
The Dimmer with Sensor combines a *Maestro* 600 W incandescent/halogen dimmer with an occupancy or vacancy sensor.

The Switch with Sensor combines a *Maestro* switch with an occupancy or vacancy sensor.

Family Features

- Passive infrared motion detection with exclusive Lutron® XCT™ Technology for fine motion detection
- 180° sensor field-of-view
- Up to 30 ft x 30 ft (9.14 m x 9.14 m) [900 ft² (274.32 m²)] major motion coverage and 20 ft x 20 ft (6.1 m x 6.1 m) [400 ft² (121.92 m²)] minor motion coverage
- Occupancy/vacancy version can be set to auto-on/auto-off or manual-on/auto-off
- Vacancy version available to meet CA title 24 requirements

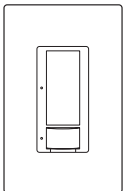
Dimmer with sensor:



Model Number *	Description	Sensor Operation	Maximum Capacity
MS-OP600M-XX	Occupancy/vacancy single-pole/multi-location	Auto-on/auto-off or manual-on/auto-off	600 W incandescent/halogen
MS-VP600M-XX	Vacancy single-pole/multi-location	Manual-on/auto-off	600 W incandescent/halogen

- Adjustable timeout - 1, 3, 5, 15, or 30 minutes
- Optional off warning dims the lights by 50%, 30 seconds before the light turns off
- High-low sensitivity adjustment
- Standard *Maestro* dimmer features: locked preset, fade-to-on, and fade-to-off
- Works with up to 9 companion dimmers (MA-R-XX) *

Switch with sensor:



Model Number *	Description	Sensor Operation	Maximum Capacity
MS-OPS5AM-XX	Occupancy/vacancy single-pole/multi-location 120 V~; neutral wire required	Auto-on/auto-off or manual-on/auto-off	5 A lighting
MS-VPS5AM-XX	Vacancy single-pole/multi-location 120 V~; neutral wire required	Manual-on/auto-off	5 A lighting
MS-OPS6M-DV-XX	Occupancy/vacancy single-pole/multi-location 120-277 V~ spec grade electronic switch; no neutral wire required	Auto-on/auto-off or manual-on/auto-off	6 A lighting 3 A 1/10 HP Fan (Fan 120 V~ only)
MS-VPS6M-DV-XX	Vacancy single-pole/multi-location 120-277 V~ spec grade electronic switch; no neutral wire required	Manual-on/auto-off	6 A lighting 3 A 1/10 HP Fan (Fan 120 V~ only)

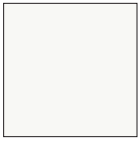
- Adjustable timeout - 1, 5, 15, or 30 minutes
- High-low sensitivity adjustment
- Switch lighting loads: incandescent, halogen, MLV, ELV, and non-dim fluorescent
- Works with up to 9 companion switches (MA-AS-XX* or MA-AS-277-XX*)

* XX in model number represents color/finish code

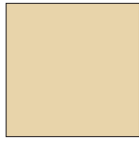
Job Name:	Model Numbers:
Job Number:	

Colors and Finishes

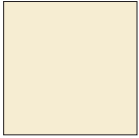
Gloss Finishes



White
WH



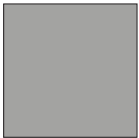
Ivory
IV



Almond
AL



Light
Almond
LA



Gray
GR



Brown
BR



Black
BL

Satin Finishes



Hot
HT



Merlot
MR



Plum
PL



Turquoise
TQ



Taupe
TP



Eggshell
ES



Biscuit
BI



Snow
SW



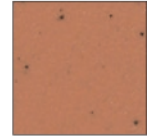
Palladium
PD



Midnight
MN



Sienna
SI



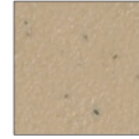
Terracotta
TC



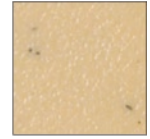
Greenbriar
GB



Bluestone
BG



Mocha
Stone
MS



Goldstone
GS



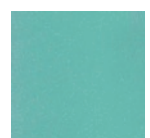
Desert Stone
DS



Stone
ST



Limestone
LS



Sea Glass
SG

Due to printing limitations, colors and finishes shown cannot be guaranteed to perfectly match actual product colors.

Job Name:	Model Numbers:
Job Number:	

Load Type and Capacity

Control	Voltage	Load Type	Minimum Load	Maximum Load			Neutral Connection Required
				Not Ganged	End of Gang	Middle of Gang	
MS-OP600M MS-VP600M	120 V~	Incand. ¹	40 W	600 W	500 W	400 W	NO
MS-OPS5AM MS-VPS5AM	120 V~	Lighting ²	5 W	5 A	4 A	3.2 A	YES
MS-OPS6M-DV MS-VPS6M-DV	120 - 277 V~	Lighting ²	25 W	6 A	6 A	6 A	NO
	120 V~	Fan	0.4 A	3 A (1/10 HP)	3 A (1/10 HP)	3 A (1/10 HP)	NO

¹ Dimmer Load Type: designed for use with permanently installed incandescent or tungsten halogen only. Do not install dimmers to control receptacles or motor-operated appliances.

² Switch Load Type: designed for use with permanently installed lighting loads.

Job Name:	Model Numbers:
Job Number:	

Specifications

Regulatory Approvals

- UL Listed and cUL Listed.

Power

Operating voltage:

120 V~ 60 Hz

120-277 V~ 50/60 Hz (-OPS6M-DV and -VPS6M-DV) * dimmer only

Key Design Features

Dimmer

- On a single-tap, lights fade ON or OFF.
- On a double-tap, lights go to full ON.
- When ON, press and hold to engage up to 60-second fade to OFF.
- Light levels can be fine-tuned by pressing and holding the dimming rocker until the desired light level is reached.

Switch

- On a single-tap, lights turn ON or OFF.
- Two-wire switches available.

Environment

- Ambient operating temperature: 32 °F to 104 °F (0 °C to 40 °C), 0%-90% humidity, non-condensing. Indoor use only.

Warranty

- 1 Year Limited Warranty.
For additional Warranty information, please visit http://www.lutron.com/TechnicalDocumentLibrary/369-119_Wallbox_Warranty.pdf

Timeout Options

- 1 Minute
- 3 Minutes*
- 5 Minutes
- 15 Minutes
- 30 Minutes

Sensitivity Options

- High sensitivity
- Low sensitivity

Auto-On Options (occupancy/vacancy version)

- “Enabled” - Auto-On
- “Disabled” - Manual-On

Ambient Light Detection Options (-OPS6M-DV):

- **Disabled:** Lights turn on regardless of light level in the room.
- **Enabled with High Light Level:** Prevents lights from turning on automatically when there is a high amount of ambient light.
- **Enabled with Medium Light Level:** Prevents lights from turning on automatically when there is a medium amount of ambient light.
- **Enabled with Low Light Level:** Prevents lights from turning on automatically when there is a low amount of ambient light.

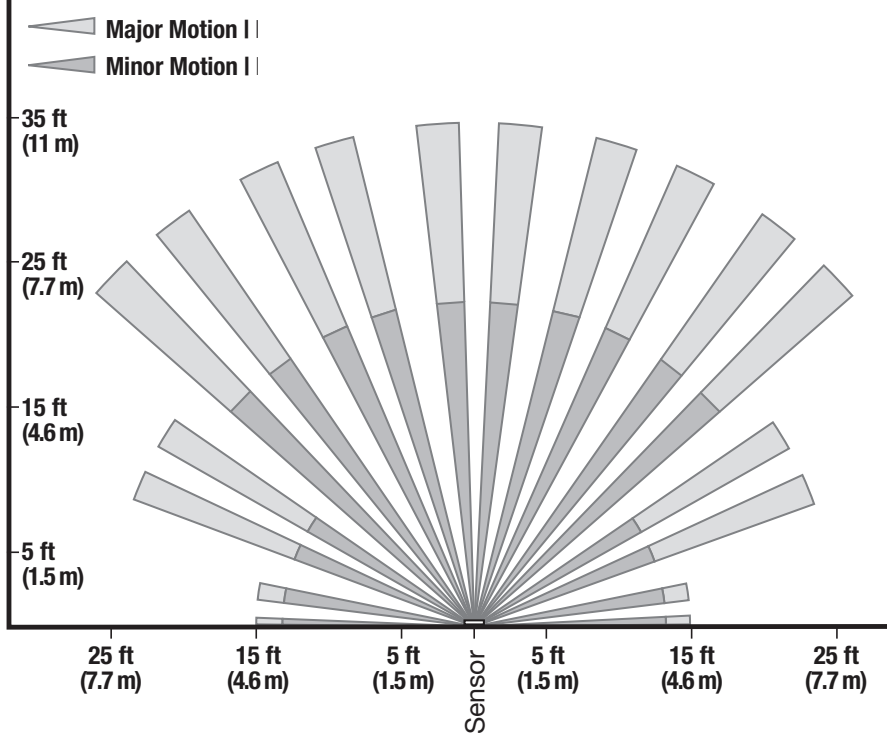
Off While Occupied (-OPS6M-DV only)

- When Switch is manually turned off, the Sensor will not turn the lights back on automatically while the room is occupied.
- Once the room is vacated, the Auto-on feature returns to normal operation after the timeout duration has expired.
- When this feature is disabled, after being manually turned off, the Auto-on feature will return to normal operation after 25 seconds.

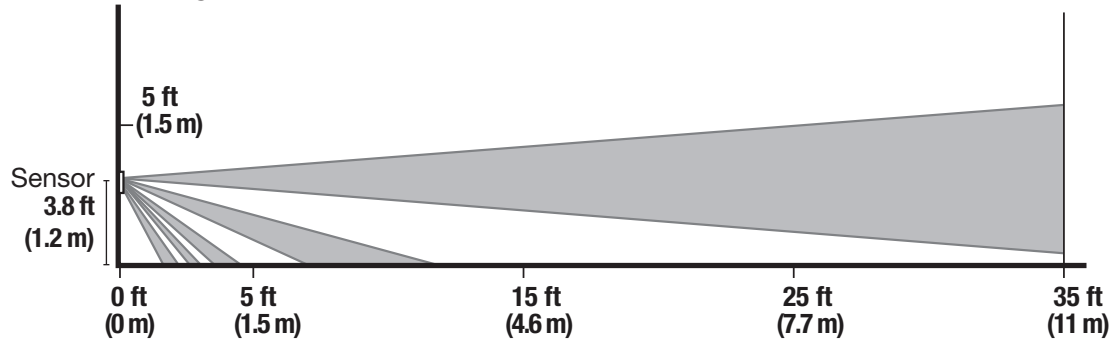
Job Name:	Model Numbers:
Job Number:	

Range Diagrams

Horizontal Coverage



Vertical Coverage

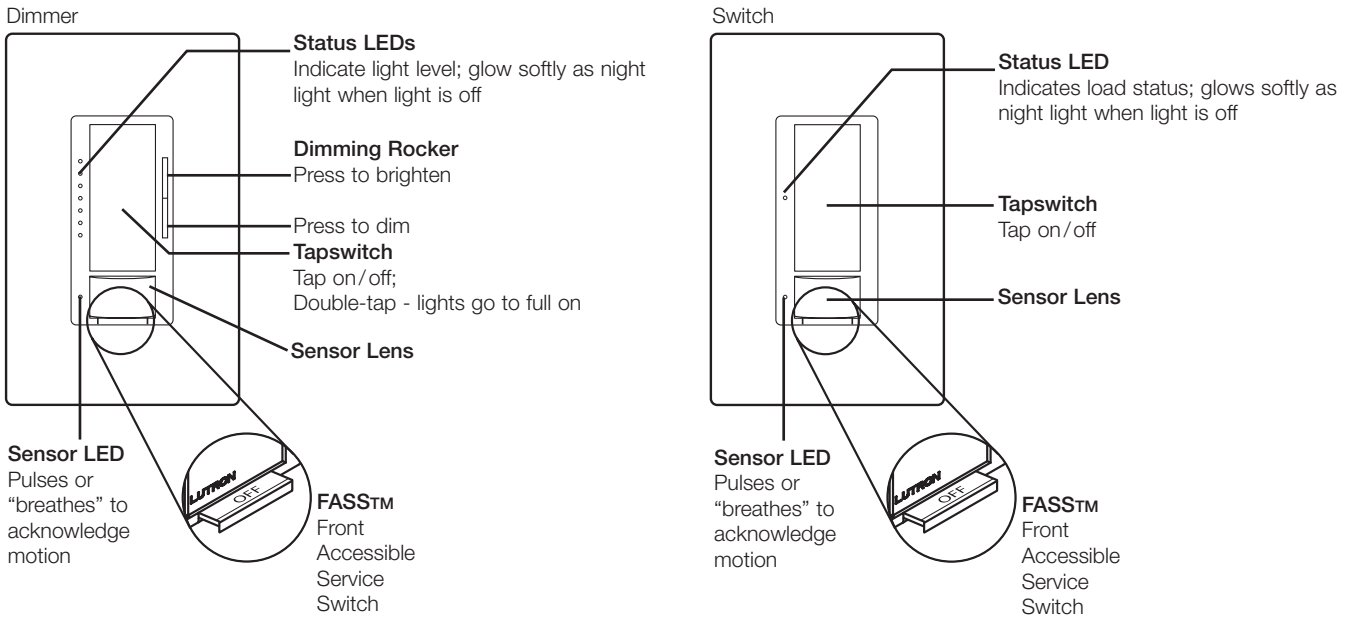


Sensor Placement and Operation

- The Sensor's ability to detect motion requires line-of-sight of room occupants. The Sensor must have an unobstructed view of the room.
- Hot objects and moving air currents can affect the Sensor's performance.
- The Sensor's performance depends on a temperature differential between the ambient room temperature and that of room occupants. Warmer rooms may reduce the Sensor's ability to detect occupants.

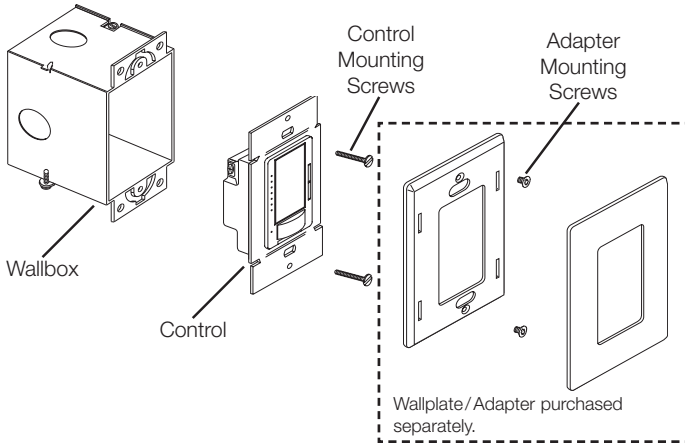
Job Name:	Model Numbers:
Job Number:	

Operation



IMPORTANT NOTICE:
FASS - Front Accessible Service Switch - to service load, remove power by pulling the FASS switch out completely on either the Dimmer or Companion Dimmer. After servicing load, push the FASS switch back in fully to restore power to the control.

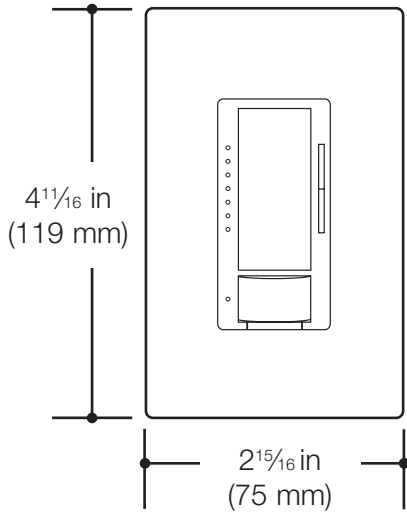
Mounting



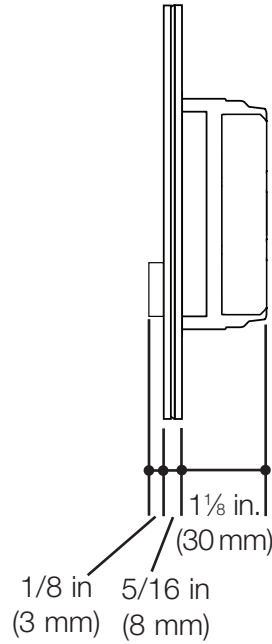
Job Name:	Model Numbers:
Job Number:	

Dimensions

Front View



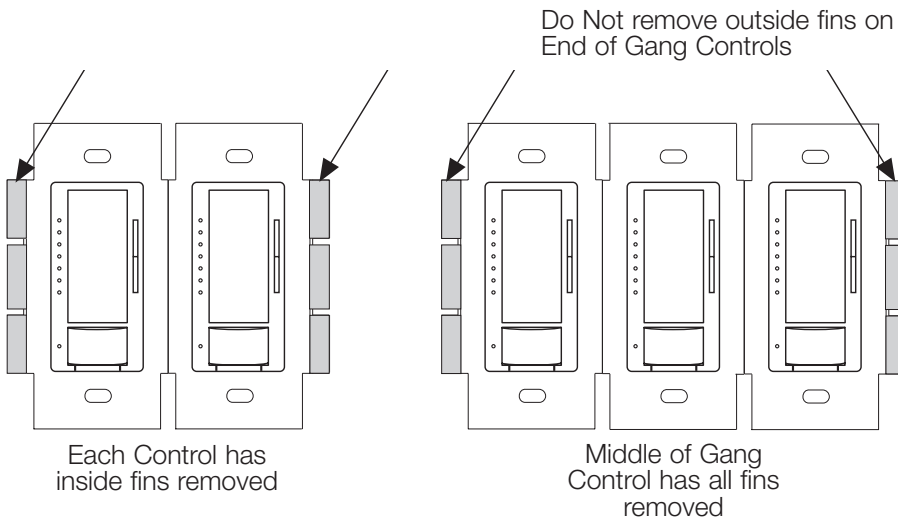
Side View



Note: MS-OPS6M-DV and MS-VPS6M-DV have leaded wire terminations. MS-OP600M, MS-VP600M, MS-OPS5AM, and MS-VPS5AM have screw terminals.

Ganging and Derating

When ganging with other controls in the same wallbox, derating is required. See Load Type and Capacity chart.

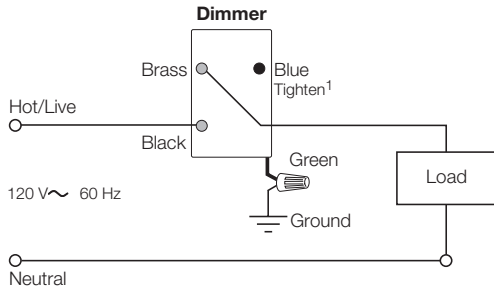


Job Name:	Model Numbers:
Job Number:	

Wiring Diagrams:

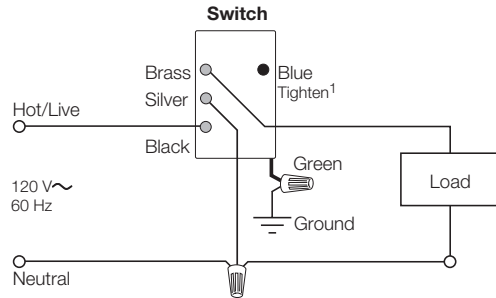
Wiring Diagram 1

Single Location¹ Dimmer Installation without Neutral
 -OP600M and -VP600M



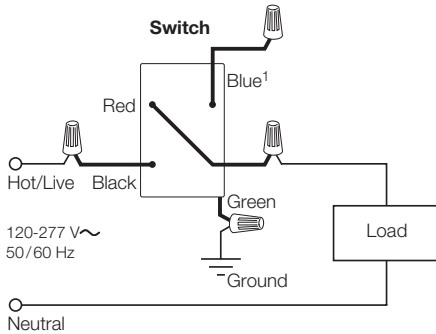
Wiring Diagram 2

Single Location¹ Switch Installation with Neutral
 -OPS5AM and -VPS5AM



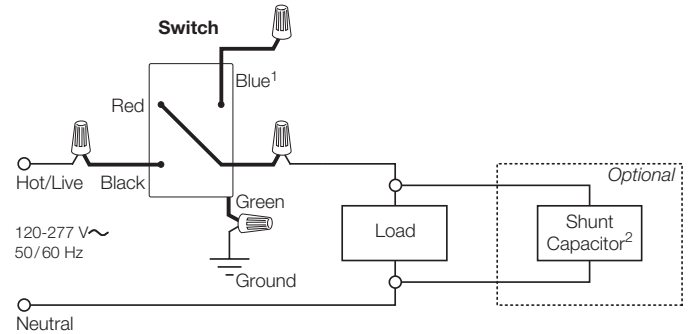
Wiring Diagram 3

Single Location¹ Switch (2-wire) Installation without Neutral
 -OPS6M-DV, and -VPS6M-DV



Wiring Diagram 4

Single Location¹ Switch (2-wire) Installation without Neutral and with Shunt Capacitor²
 -OPS6M-DV, and -VPS6M-DV



Continued on next page...

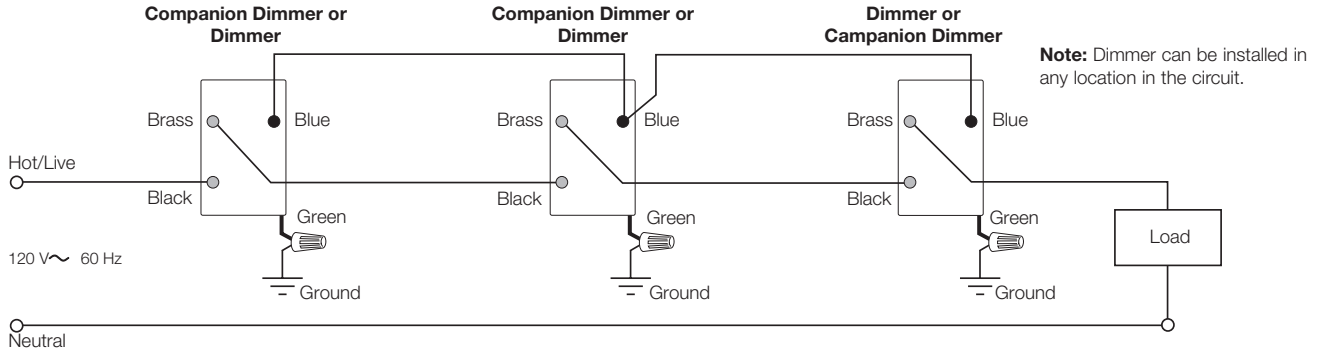
Job Name:	Model Numbers:
Job Number:	

Wiring Diagrams: (continued)

Wiring Diagram 5

Multi-Location³ Dimmer Installation without Neutral⁵

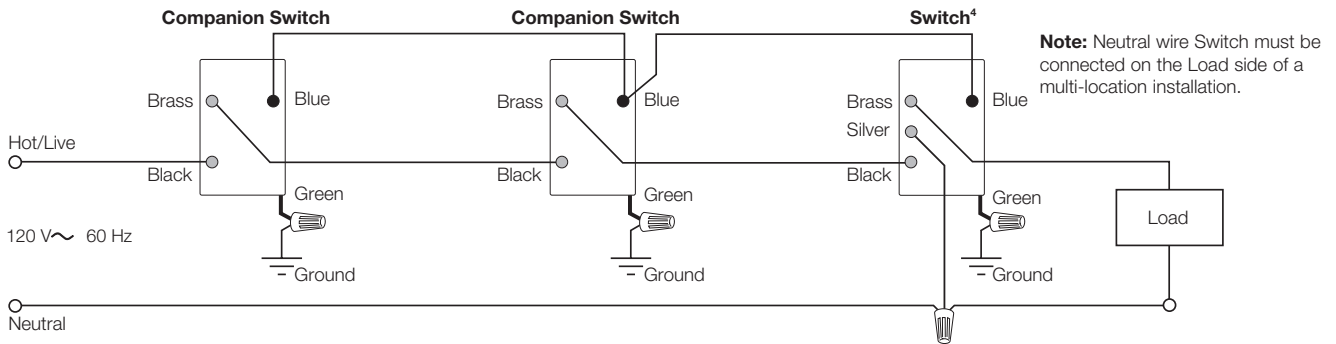
-OP600M and -VP600M with MA-R



Wiring Diagram 6

Multi-Location³ Switch Installation with Neutral⁵

-OPS5AM and -VPS5AM with MA-AS



Continued on next page...

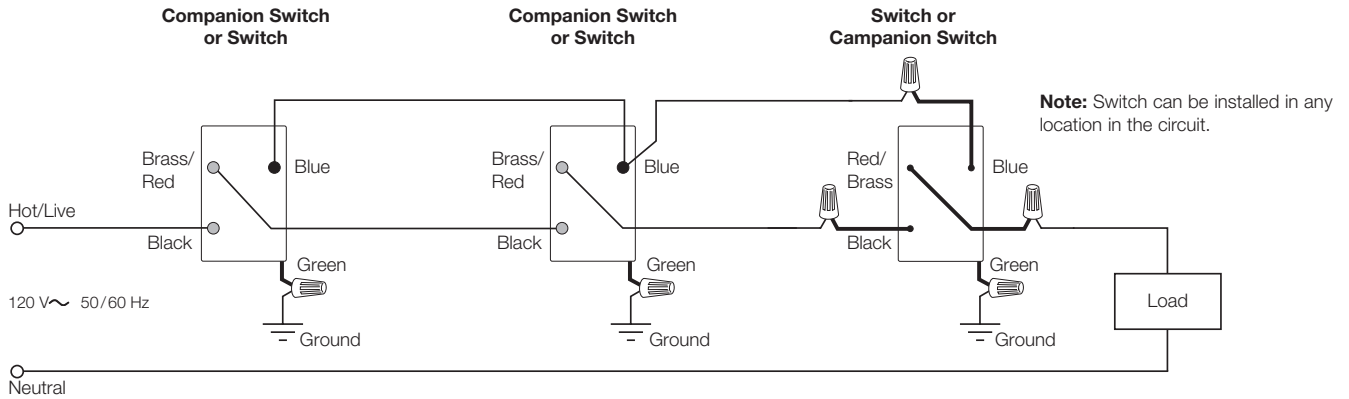
Job Name:	Model Numbers:
Job Number:	

Wiring Diagrams: (continued)

Wiring Diagram 7

Multi-Location³ Switch (2-wire) Installation without Neutral⁵ (120 V~)

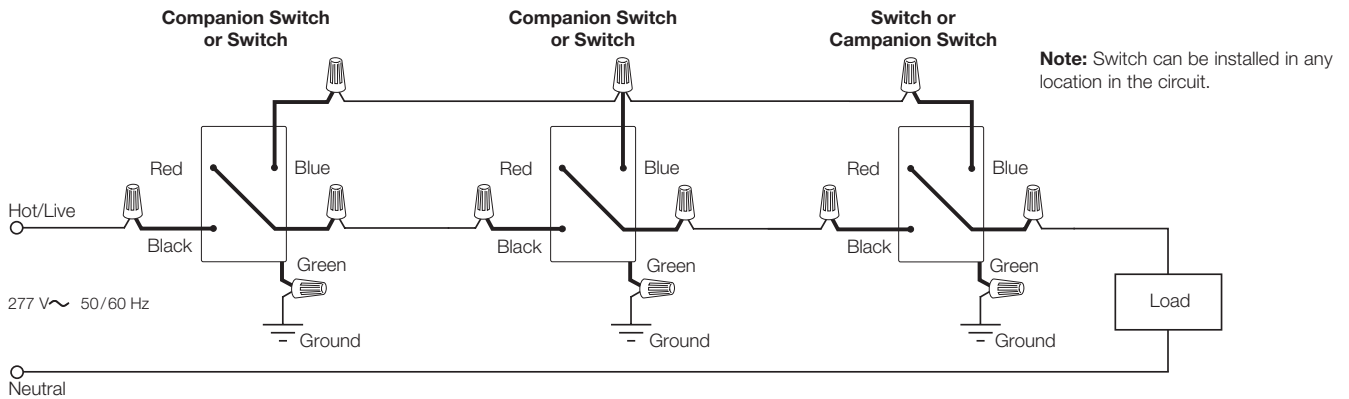
-OPS6M-DV and -VPS6M-DV with MA-AS



Wiring Diagram 8

Multi-Location³ Switch (2-wire) Installation without Neutral⁵ (277 V~)

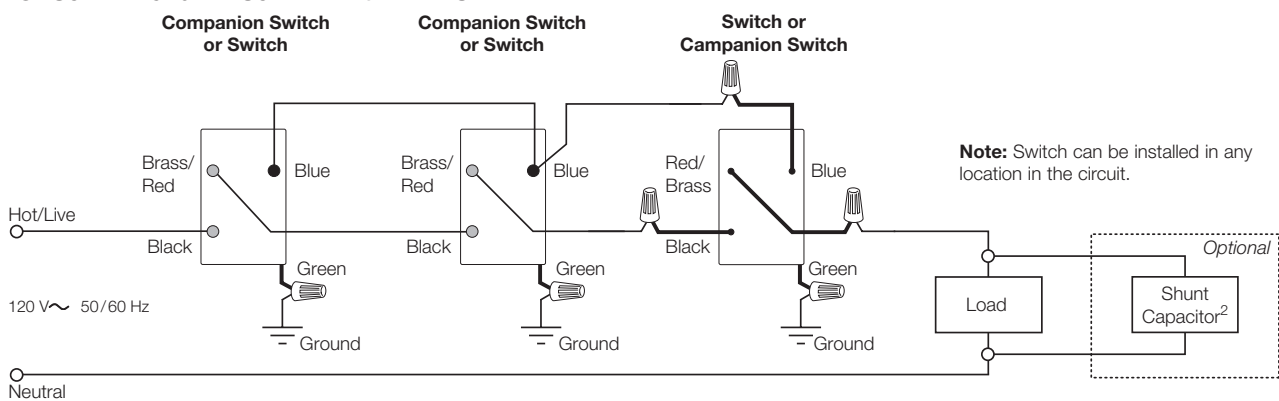
-OPS6M-DV and -VPS6M-DV with MA-AS-277



Wiring Diagram 9

Multi-Location³ Switch (2-wire) Installation without Neutral and with Shunt Capacitor^{2,5} (120 V~)

-OPS6M-DV and -VPS6M-DV with MA-AS



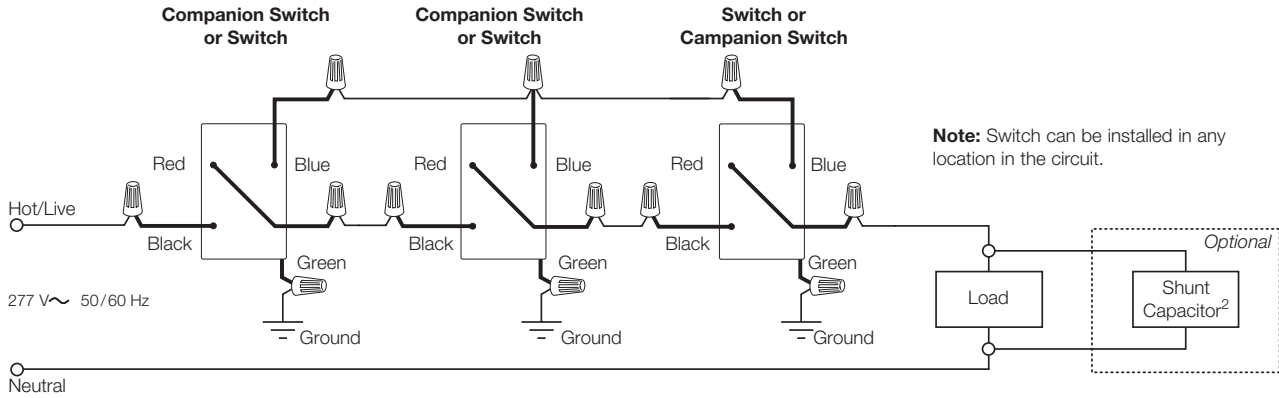
Continued on next page...

Job Name:	Model Numbers:
Job Number:	

Wiring Diagrams: (continued)

Wiring Diagram 10

Multi-Location³ Switch (2-wire) Installation without Neutral and with Shunt Capacitor^{2,5} (277 V~)
 -OPS6M-DV and -VPS6M-DV with MA-AS-277



- 1 When using controls in single location installations, tighten the blue terminal or cap blue wire. **Do not** connect the blue terminal/wire to any other wiring or to ground.
- 2 Optional shunt capacitor must be installed inside the load fixture or in a separate J-box.
- 3 Up to 9 Companion Dimmers/Switches may be connected to a Dimmer/Switch. Total blue terminal wire length may be up to 250 ft (76 m).
- 4 Neutral wire Switches must be connected on the Load side of a multi-location installation.
- 5 Only one sensor unit can be used per multi-location circuit.

Job Name:	Model Numbers:
Job Number:	