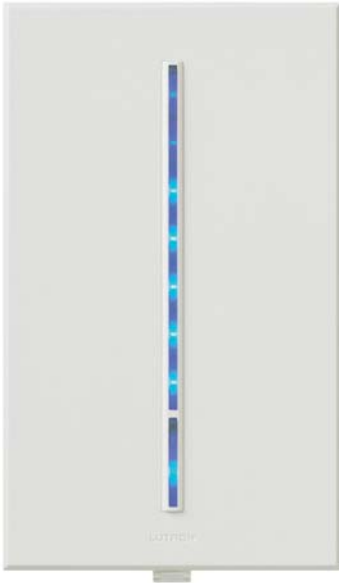


Incandescent/Magnetic Low Voltage Dimmer



Description

- Single-Touch Dimmer.
- Full family of controls, plus coordinating accessories and wallplates.
- Dimmers feature built-in soft-glow locator light.
- Uses standard Single-Pole and 3-Way wiring for easy installation.
- Maximum total wire length between all devices is 75 ft (23 m)

Model Numbers

VT-600- [] - []
Single-Pole 600 W /VA

VT-600M- [] - []
Single-Pole /Multi-Location 600 W /VA

VT-1000M- [] - []
Single-Pole /Multi-Location 1000 W /VA

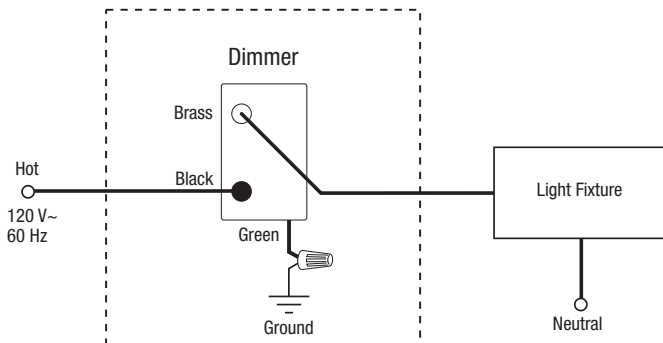
[] - LED Color [] - Wallplate Color/Finish

Minimum Load Chart*

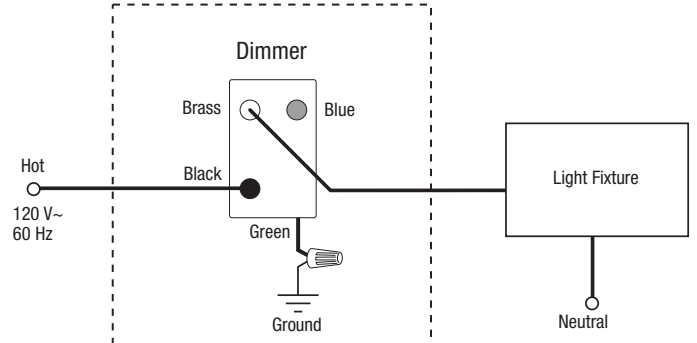
Single-Pole	40 W/VA
One Dimmer and One Companion Dimmer	60 W / VA
One Dimmer and Two Companion Dimmers	80 W / VA
One Dimmer and Three Companion Dimmers	100 W / VA
One Dimmer and Four Companion Dimmers	135 W / VA

* Vierti Dimmers and Companion Dimmers have minimum load requirements. Do not use where the total lamp wattage is less than the minimum load shown in the chart.

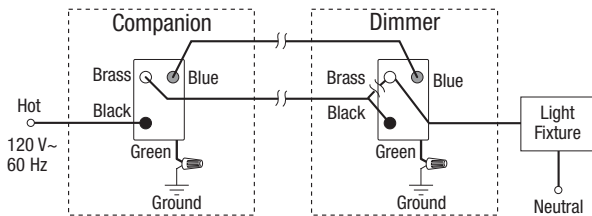
Wiring Diagrams



Single-Pole Wiring

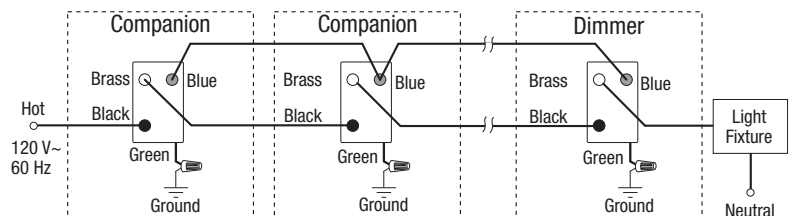


Single-pole Wiring of Multi-location



2 Location Wiring

For 2 locations, place Dimmer in any location and fill the other location with a Companion Dimmer.



3, 4 or 5 Location Wiring

For 3-5 locations, place Dimmer in any location and fill the remaining locations with Companion Dimmers.

Job Name:	Model Numbers:
Job Number:	

Single-Touch Electronic Low Voltage Dimmer



Description

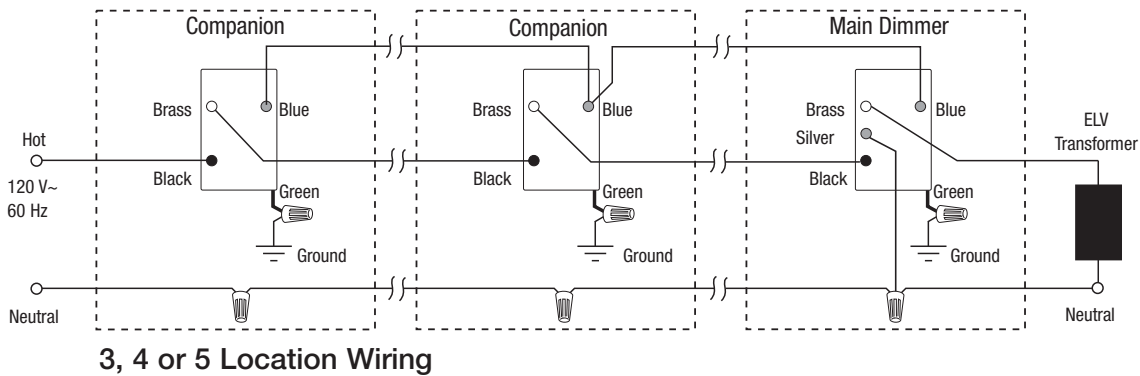
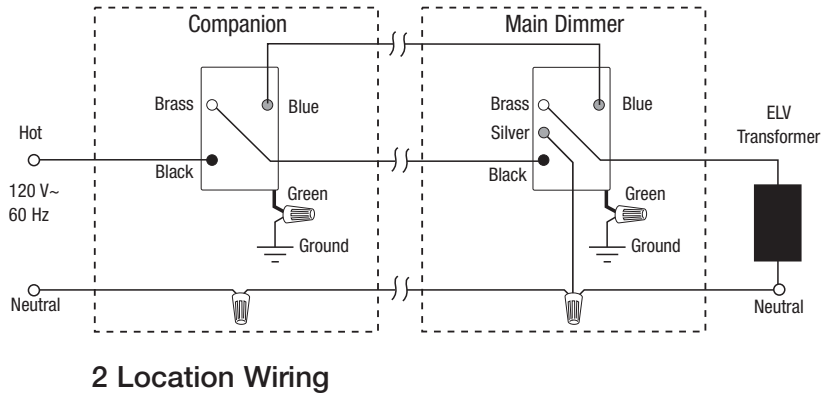
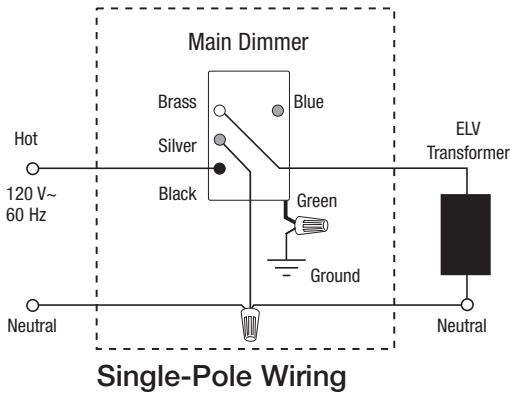
- Single-Touch Dimmer.
- Full family of controls, plus coordinating accessories and wallplates.
- Dimmers feature built-in soft-glow locator light.
- Uses standard Single-Pole and 3-Way wiring for easy installation.
- Maximum total wire length between all devices is 250 ft (76 m)

Model Number

VTELV-600M- -
 Single-Pole/Multi-Location 600 W 120 V~

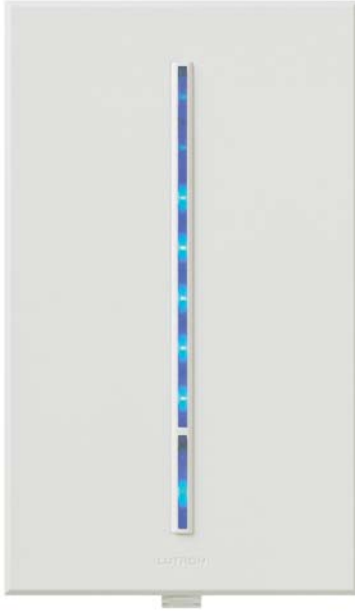
- LED Color - Wallplate Color/Finish

Wiring Diagrams



Job Name:	Model Numbers:
Job Number:	

Single-Touch Fluorescent Dimmer



Description

- Single-Touch Dimmer.
- Full family of controls, plus coordinating accessories and wallplates.
- Dimmers feature built-in soft-glow locator light.
- Uses standard Single-Pole and 3-Way wiring for easy installation.
- Maximum total wire length between all devices is 250 ft (76 m).

Model Number

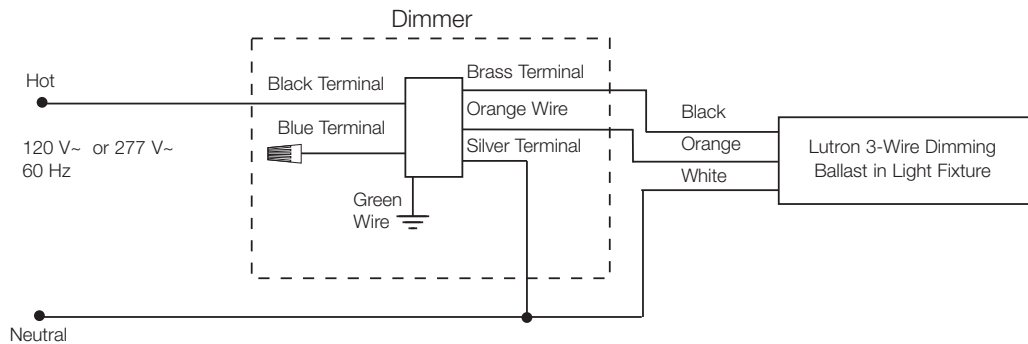
VTF-6AM- -

Single-Pole/Multi-Location 6 A, 120/277 V~

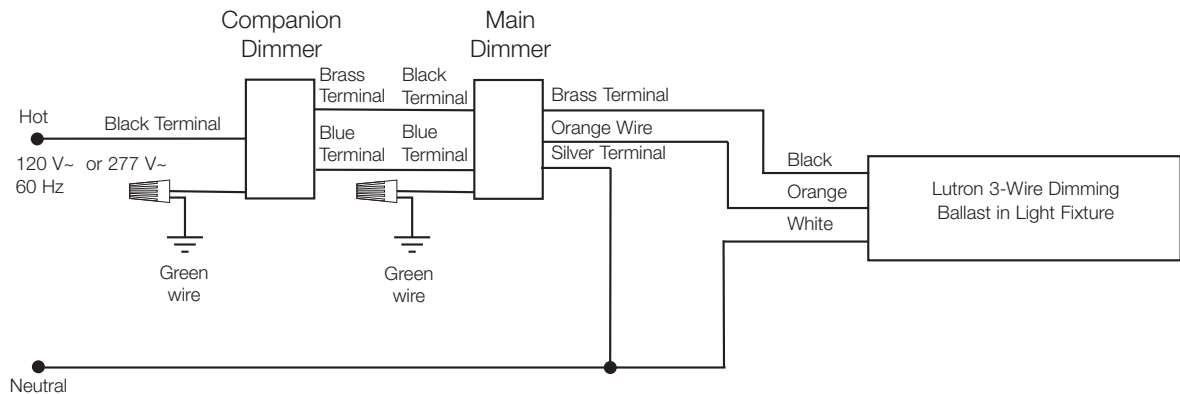
Lutron 3-Wire Dimming Ballast: Hi-lume, Eco-10, Compact SE, EcoSystems or HilumeLED

- LED Color - Wallplate Color/Finish

Wiring Diagrams



Single-Pole Wiring of a 3-Way Control



3-Way Wiring

For 2-5 locations, place Main Switch on load side and fill the remaining locations with Companion Dimmers.

Job Name:	Model Numbers:
Job Number:	

Single-Touch Companion Dimmer



Description

- Single-Touch Dimmer.
- Full family of controls, plus coordinating accessories and wallplates.
- Dimmers feature built-in soft-glow locator light.
- Uses standard Single-Pole and 3-Way wiring for easy installation.

Model Number

VT-AD- [] - []
 Multi-location 8.3 A 120 V~
 6 A 277 V~

[] - LED Color [] - Wallplate Color/Finish

Note: See Wiring Diagram for load specific Main Dimmer.

Job Name:	Model Numbers:
Job Number:	

Single-Touch Electronic Switch



Description

- Single-Touch Electronic Switch.
- Full family of controls, plus coordinating accessories and wallplates.
- Switches feature built-in soft-glow locator light.
- Uses standard Single-Pole and 3-Way wiring for easy installation.
- Maximum total wire length between all devices is 75 ft (23 m).

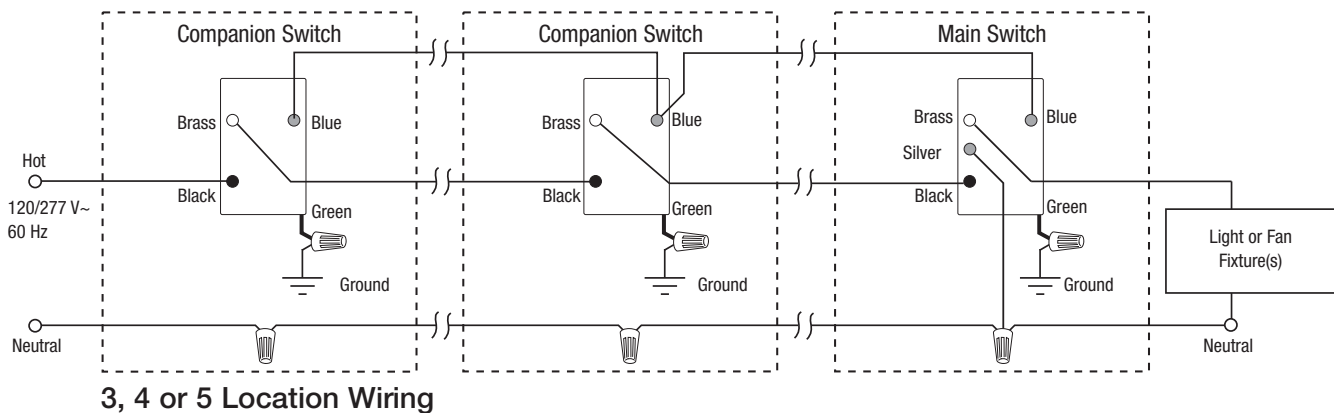
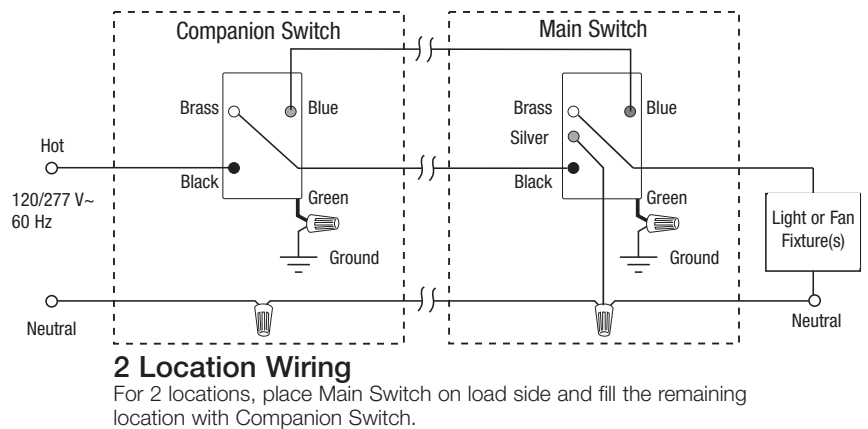
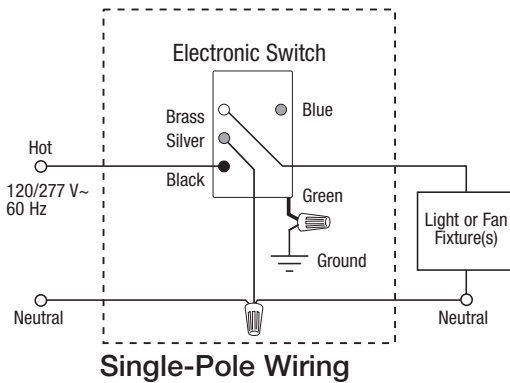
Model Numbers

VT-S6AM- [] - []
Single-Pole/Multi-Location 6 A ⚡, 3 A ⚡ 120 V~

VT-S6AMUNV- [] - []
Single-Pole/Multi-Location 6 A ⚡, 3 A ⚡ 120 V~
6 A ⚡, 277 V~

[] - LED Color [] - Wallplate Color/Finish

Wiring Diagrams



Job Name:	Model Numbers:
Job Number:	

Single-Touch Companion Switch



Description

- Single-Touch Switch.
- Full family of controls, plus coordinating accessories and wallplates.
- Switches feature built-in soft-glow locator light.
- Uses standard Single-Pole and 3-Way wiring for easy installation.

Model Number

VT-AS- [] - []
 Multi-location 8.3 A 120 V~
 6 A 277 V~

[] - LED Color [] - Wallplate Color/Finish

Note: See Wiring Diagram for load specific Main Switch.

Job Name:	Model Numbers:
Job Number:	

Specifications

Power

- 120 V~ 60 Hz, 277 V~ 60 Hz

Key Design Features

- Meets ANSI/IEEE C62.41-1980. Tested to withstand voltage surges of up to 6000V and current surges of up to 200A without damage.
- Tested to withstand electrostatic discharges up to 16000 V~ without impairment.
- Lighting control provides full-range, continuously variable control of light intensity. Dimmer provides smooth and continuous Square Law dimming curve for the full slider travel on its rated load per the IESNA Lighting Handbook, 9th edition, pg. 27-4.
- Mechanical air-gap switch provides a true off condition with no leakage current present at the fixture(s). Meets the applicable requirements of UL 1472 for inclusion of a visible, accessible air-gap off switch.
- Dimmer is capable of operating at the rated capacity; this includes modified capacities for ganging configurations which require the removal of fins.
- Control is designed to reduce interference with radio, audio, and video equipment.
- Built-in power-failure memory allows the lights to come back on to the same level set prior to a power interruption.
- Includes seamless wallplates with no visible means of attachment.
- To ensure a precise color match between all plastic parts, color variation of any control will not exceed a delta E of 1, CIE L*a*b* color units (ASTM E 308-99).
- Visible parts of control and wallplate are manufactured from durable polycarbonate plastic with a matte finish.
- Visible parts of control and wallplate exhibit ultraviolet stability when tested with multiple actinic light sources (ASTM D4674-89).
- Control provides frequency compensation to assure dimming capability on 50 or 60 Hz lines.

Environmental

- Operating temperature: 32° to 104° F (0° to 40° C)
- Storage temperature: 32° to 185° F (0° to 85° C)
- Relative humidity: 90% non-condensing (maximum)

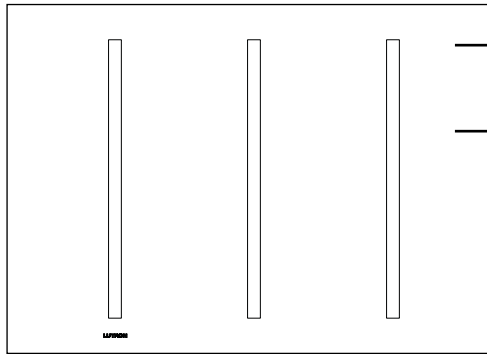
Agency Approvals

- UL
- CSA
- NOM ANCE

Job Name:	Model Numbers:
Job Number:	

Wallplates

Vierti

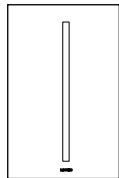


Elegant screwless wallplate

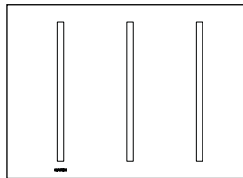
Two-part wallplate; the front securely snaps on to adapter plate

Controls must have fins broken in multigang installations. Derate dimmers and switches as required.

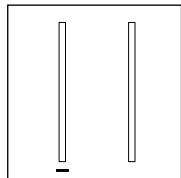
H: 4.56" (116 mm); D: 0.30" (7.6 mm)



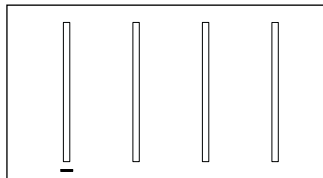
VTW-1-
1-Gang Wallplate
 W: 2.94" (75 mm)



VTW-3-
3-Gang Wallplate
 W: 6.32" (161 mm)



VTW-2-
2-Gang Wallplate
 W: 4.56" (116 mm)



VTW-4-
4-Gang Wallplate
 W: 8.45" (215 mm)

5 and 6-Gang Wallplates also available

- Wallplate Color/Finish

Job Name:	Model Numbers:
Job Number:	

Specifications

Power

- 120 V~ 60 Hz
- 277 V~ 60 Hz

Key Design Features

- The front of the two-part wallplate snaps securely on to the adapter plate to conceal the screws.
- Seamless multigang wallplates with snap-in auto-alignment adapter plate
- To ensure a precise color match between all plastic parts, color variation of any control will not exceed a delta E of 1, CIE L*a*b* color units (ASTM E 308-99).
- Visible parts of control and wallplate are manufactured from durable polycarbonate plastic with either a matte finish or metal finish.
- Visible parts of control and wallplate exhibit ultraviolet stability when tested with multiple actinic light sources (ASTM D4674-89).

Colors/Finishes

Add color suffix to model #

Example: **VTW-1-WH**

Color	Suffix	Color	Suffix
Matte Finish		Metal Finish	
White	WH	Satin Brass	SB
Ivory	IV	Bright Brass	BB
Almond	AL	Bright Chrome	BC
Light Almond	LA	Special Metal Finish	
Gray	GR	Antique Brass	QB
Brown	BR	Antique Bronze	QZ
Black	BL	Satin Chrome	SC
Taupe	TP	Satin Nickel	SN
Sienna	SI	Bright Nickel	BN
		Anodized Aluminum Finish	
		Clear Anodized	CLA
		Black Anodized	BLA
		Brass Anodized	BRA

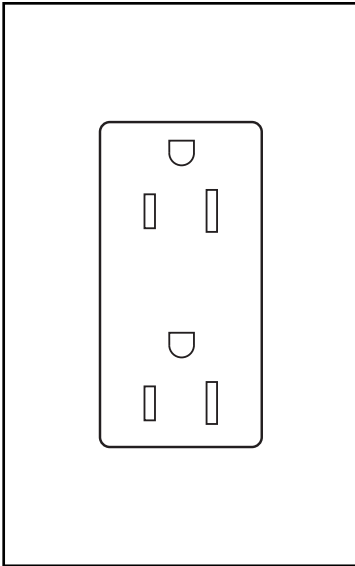
Note: Architectural metal finishes are mounted on black plastic and include a black adapter plate.

When ordering metal finish wallplates for a product color other than black contact Customer Service at 1.888.LUTRON1.



Job Name:	Model Numbers:
Job Number:	

Architectural Accessories & Wallplates

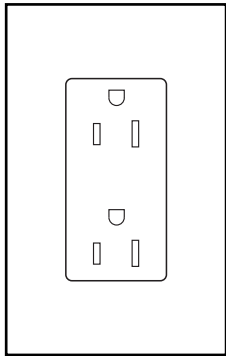


Description

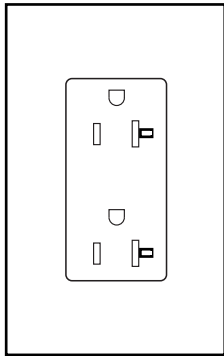
- A full line of accessories and wallplates
- Wallplates feature clean appearance with no visible screws
- Wallplates designed for quick and easy multigang alignment
- 1- to 6-gang wallplates are available
- Engraving is available, contact Lutron Customer Service
- Select matte finishes to coordinate with the following products:
 - Vierti
 - Nova T
 - Nova
 - Vareo ☆
 - Accessories (Rectptacles & Telephone Jacks)

Job Name:	Model Numbers:
Job Number:	

Receptacles/GFCI Receptacles

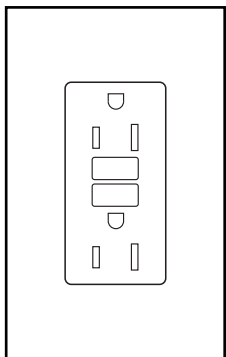


15 A

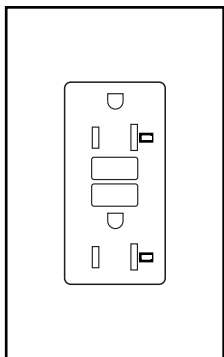


20 A

Duplex Receptacle 15 A, 125 V NTR-15
 20 A, 125 V NTR-20



15 A

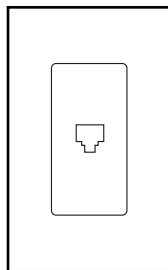


20 A

GFCI Receptacle 15 A, 125 V NTR-15-GFCI
 20 A, 125 V NTR-20-GFCI

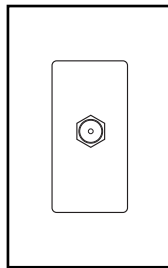
Telephone Jacks/Cable Jacks

Single Phone Jack



6-Conductor, RJ11 NT-PJ

Single Cable Jack

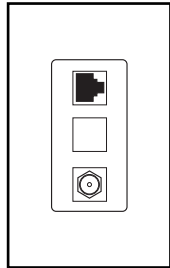


F-Style, 75-Ohm
 coaxial cable NT-CJ

Job Name:	Model Numbers:
Job Number:	

Telephone Jacks/Cable Jacks

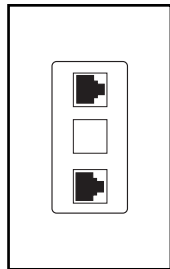
Phone/Cable Jack



8-Conductor, RJ45
Category 5 phone
jack / F-style,
75-Ohm coaxial
cable jack

NT-PJ8CJ

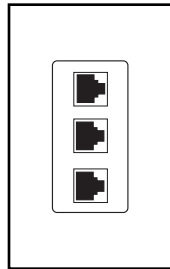
Double Phone Jack



8-conductor,
RJ45, Category 5

NT-PJ8X2

Triple Phone Jack

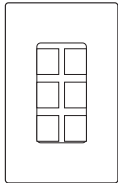











8-conductor,
RJ45, Category 5

NT-PJ8X3

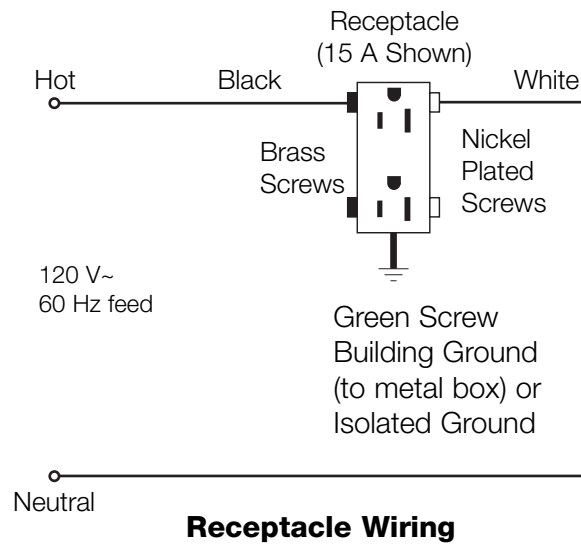
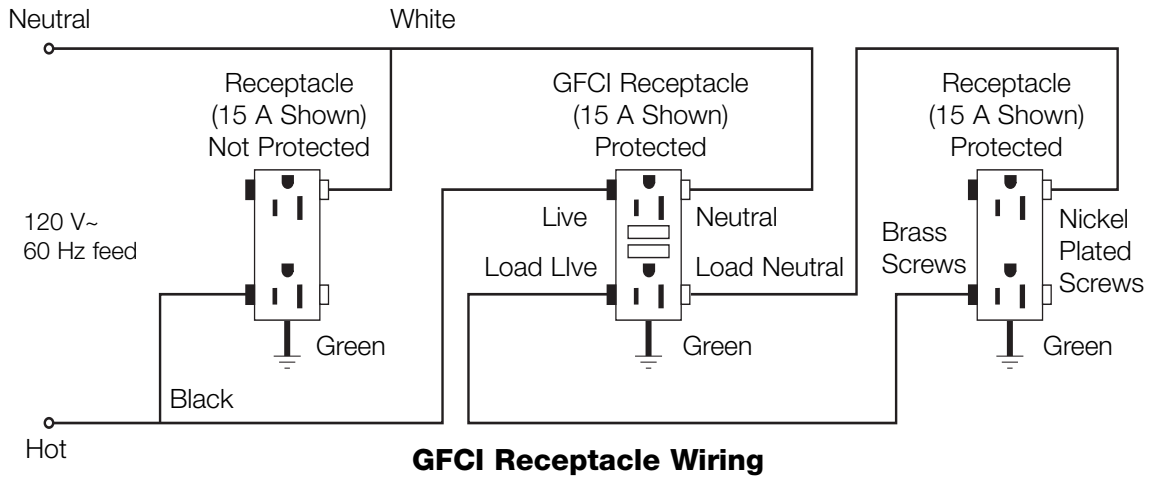
Job Name:	Model Numbers:
Job Number:	

6-port Frame/Connectors

6-port Frame		Shipped with 6 blanks	NT-6PF
Phone Jack		- 6-conductor, RJ11, Category 3	CON-1P-C3-WH
		- 8-conductor, RJ45, Category 5e	CON-1P-C5EWH
		- 8-conductor, RJ45, Category 6	CON-1P-C6-WH
Fiber Jack		- MT-RJ feed through	CON-1F-MTRJ-WH
		- SC simplex	CON-1F-SC-WH
		- LC non-flush mount	CON-1F-LC-WH
		- ST style	CON-1F-ST-WH3
Cable Jack		- F-style, 75-Ohm coaxial cable	CON-1C-WH
BNC Jack		- BNC connector 50-Ohm	CON-1B-WH

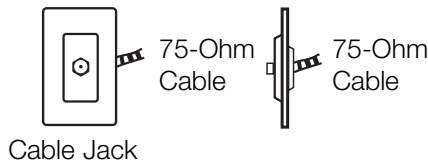
Job Name:	Model Numbers:
Job Number:	

Wiring Diagrams

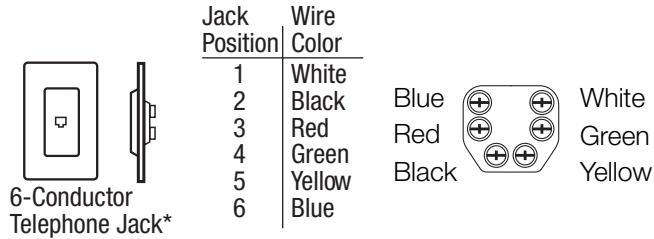


Job Name:	Model Numbers:
Job Number:	

Wiring Diagrams Continued



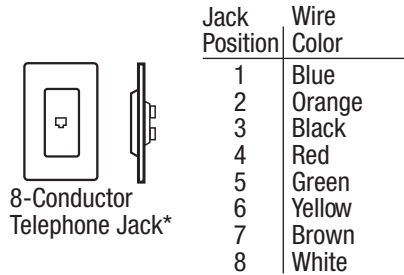
Cable Jack Wiring



* accepts most 4-conductor jacks.

Attach colored wires from wall to corresponding screws on back of phone jack.

Telephone Jack Wiring



* accepts most 4- or 6-conductor jacks.

Match colored wires from wall to color labels on the connector. Use the 568A or 568B wiring scheme based on pre-existing wiring.

8 Conductor Wiring

Job Name:	Model Numbers:
Job Number:	

If you have questions concerning the installation or operation of these products, call the Lutron Technical Support Center. Please provide exact model number when calling.

Phone 1.800.523.9466
Fax 1.610.282.6311 (U.S.A., Canada and the Caribbean)

If you have questions concerning sales assistance, call Customer Service.

Phone 1.888.Lutron1
Fax 1.610.282.6311 (U.S.A., Canada and the Caribbean)

Other Countries call +1.610.282.3800

Visit our web site at www.lutron.com

Limited Warranty

Lutron will, at its option, repair or replace any unit that is defective in materials or manufacture within one year after purchase. For warranty service, return unit to place of purchase or mail to Lutron at 7200 Suter Rd. Coopersburg, PA 18036-1299, postage prepaid.

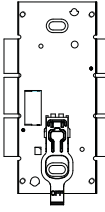
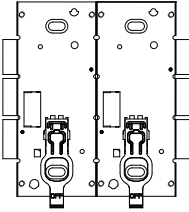
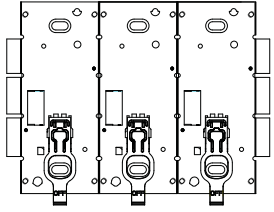
THIS WARRANTY IS IN LIEU OF ALL OTHER EXPRESS WARRANTIES, AND THE IMPLIED WARRANTY OF MERCHANTABILITY IS LIMITED TO ONE YEAR FROM PURCHASE. THIS WARRANTY DOES NOT COVER THE COST OF INSTALLATION, REMOVAL OR REINSTALLATION, OR DAMAGE RESULTING FROM MISUSE, ABUSE, OR DAMAGE FROM IMPROPER WIRING OR INSTALLATION. THIS WARRANTY DOES NOT COVER INCIDENTAL OR CONSEQUENTIAL DAMAGES. LUTRON'S LIABILITY ON ANY CLAIM FOR DAMAGES ARISING OUT OF IN CONNECTION WITH THE MANUFACTURE, SALE, INSTALLATION, DELIVERY, OR USE OF THE UNIT SHALL NEVER EXCEED THE PURCHASE PRICE OF THE UNIT.

This warranty gives you specific legal rights, and you may have other rights which vary from state to state. Some states do not allow the exclusion or limitation of incidental or consequential damages, or limitation on how long an implied warranty may last, so the above limitations may not apply to you.

Job Name:	Model Numbers:
Job Number:	

Derating Requirements

Dimmers have fins/side sections that **must be removed when ganged**. Removing this metal reduces the amount of heat that the control can dissipate, thus reducing the wattage capacity of the control (derating).

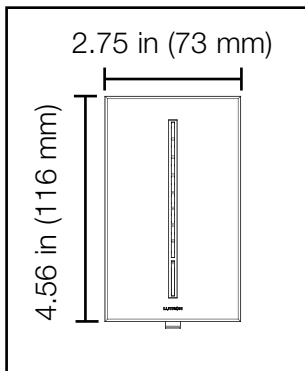
	 Both Fins Remaining	 One Fin Remaining	 No Fins Remaining (Center)
Incandescent/ Magnetic Low Voltage	600 W / VA 1000 W / VA	500 W / VA 800 W / VA	400 W / VA 650 W / VA
Electronic Low Voltage	600 W	500 W	400 W
Fluorescent Hi-lume	6 A	5 A	3.5 A
Electronic Switch on Light Load	6 A	5 A	3.5 A
Electronic Switch on Fan Load	3 A	3 A	3 A

Job Name:	Model Numbers:
Job Number:	

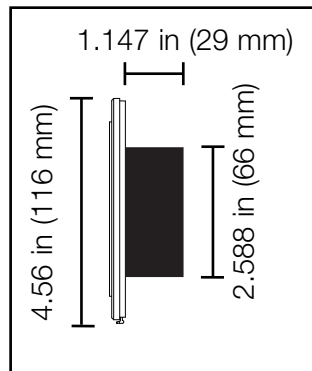
Dimensions

Including Architectural Style wallplates - Wallplates included

Front



Profile



Colors/Finishes

Add LED color suffix, then add wallbox color suffix to model number
 Example: **VT-600M-B-WH**

LEDs

Color	Suffix
Blue	B
White	W
Green	G

All Vierti Dimmers and Switches feature an Amber Soft-Glow Locator Light.

Wallplate

Matte Finish

Color	Suffix
White	WH
Ivory	IV
Almond	AL
Light Almond	LA
Gray	GR
Brown	BR
Black	BL
Beige	BE
Taupe	TP
Sienna	SI

Color	Suffix
-------	--------

Metal Finish

Satin Brass	SB
Bright Brass	BB
Bright Chrome	BC
Antique Brass	QB
Antique Bronze	QZ
Satin Chrome	SC
Satin Nickel	SN
Bright Nickel	BN

Anodized Aluminum Finish

Clear Anodized	CLA
Black Anodized	BLA
Brass Anodized	BRA

Note: Architectural metal finishes are mounted on black plastic and include a black adapter plate.

When ordering metal finish wallplates for a product color other than black contact Customer Service at 1.888.LUTRON1.

Job Name:	Model Numbers:
Job Number:	

If you have questions concerning the installation or operation of these products, call the Lutron Technical Support Center. Please provide exact model number when calling.

Phone 1.800.523.9466
Fax 1.610.282.6311 (U.S.A., Canada and the Caribbean)

If you have questions concerning sales assistance, call Customer Service.

Phone 1.888.Lutron1
Fax 1.610.282.6311 (U.S.A., Canada and the Caribbean)

Other Countries call +1.610.282.3800

Visit our web site at www.lutron.com or www.lutron.com/vierti

Limited Warranty

Lutron will, at its option, repair or replace any unit that is defective in materials or manufacture within one year after purchase. For warranty service, return unit to place of purchase or mail to Lutron at 7200 Suter Rd. Coopersburg, PA 18036-1299, postage prepaid.

THIS WARRANTY IS IN LIEU OF ALL OTHER EXPRESS WARRANTIES, AND THE IMPLIED WARRANTY OF MERCHANTABILITY IS LIMITED TO ONE YEAR FROM PURCHASE. THIS WARRANTY DOES NOT COVER THE COST OF INSTALLATION, REMOVAL OR REINSTALLATION, OR DAMAGE RESULTING FROM MISUSE, ABUSE, OR DAMAGE FROM IMPROPER WIRING OR INSTALLATION. THIS WARRANTY DOES NOT COVER INCIDENTAL OR CONSEQUENTIAL DAMAGES. LUTRON'S LIABILITY ON ANY CLAIM FOR DAMAGES ARISING OUT OF IN CONNECTION WITH THE MANUFACTURE, SALE, INSTALLATION, DELIVERY, OR USE OF THE UNIT SHALL NEVER EXCEED THE PURCHASE PRICE OF THE UNIT.

This warranty gives you specific legal rights, and you may have other rights which vary from state to state. Some states do not allow the exclusion or limitation of incidental or consequential damages, or limitation on how long an implied warranty may last, so the above limitations may not apply to you.

Job Name:	Model Numbers:
Job Number:	