

MLLWP40LED50

LED WALLMAX - 40 SERIES LARGE WALL PACK



FEATURES:

- Replaces up to 175 Watt Metal Halide
- Universal 120-277V
- Maintenance free for up to 13 Years
- Mercury free; no UV
- Heavy-duty cast aluminum housing; rust and corrosion proof; polyester powdercoat
- High quality shatterproof glass.
- Sealed fixture is dirt and bug free
- Multiple knockouts for mounting convenience
- Occupancy/Dusk to Dawn sensor compatible
- LM-79/80 data available
- 5 Year Limited Warranty
- Does not attract insects

CONSTRUCTION:

Fixture: Heavy-duty cast aluminum one-piece housing; polyester powdercoat; rust and corrosion proof. Fixture is sealed to be dirt and bug proof.

Lens: High quality shatterproof glass

LED Module: Aluminum components in the LED module act as heat sinks to reduce heat and add to life. The module uses directional settings to control the fall of light and the light levels. This makes the fixture an efficient replacement for metal halide and high pressure sodium fixtures, while reducing wattage and extending life.

LED Driver: Self contained driver meets UL 1310 UL 48 Class2.

Finish: Dark Bronze or white finish available; polyester powdercoated.

Installation: Can mount to recessed outlet box or direct to surface.

| |
|----------------|
| PROJECT NAME |
| CATALOG NUMBER |
| NOTES |
| FIXTURE TYPE |



Luminaire Ordering Information:

| WATTS | ORDER CODE | MODEL NUMBER | DELIVERED LUMENS | LAMP LIFE (Hrs) | DIMENSIONS (L"xW"xH") | K |
|-------|------------|---------------|------------------|-----------------|-----------------------|------|
| 40 | 70723 | MLLWP40LED50 | 2000 | 50,000 | 18.5 x 9.5 x 9.0 | 5000 |
| 40 | 71128 | MLLWP40LED50W | 2000 | 50,000 | 18.5 x 9.5 x 9.0 | 5000 |

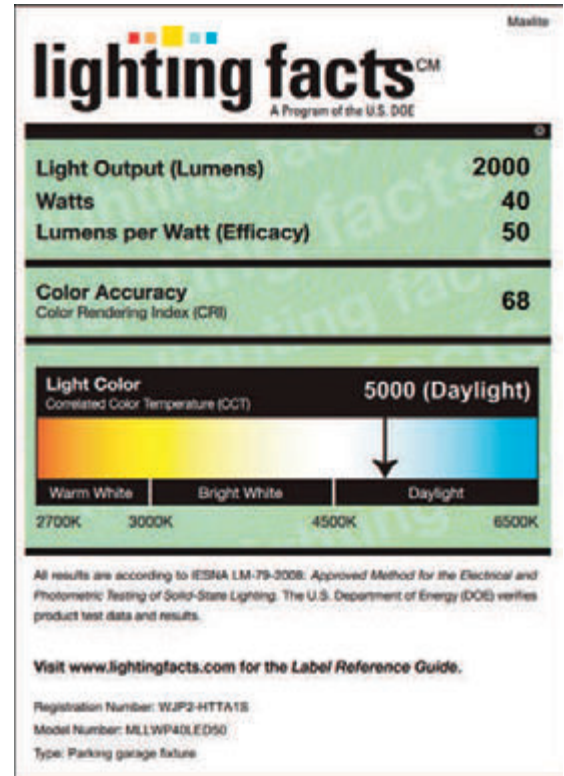
Lighting layouts and spacing criteria available upon request



MAX11363-11-14

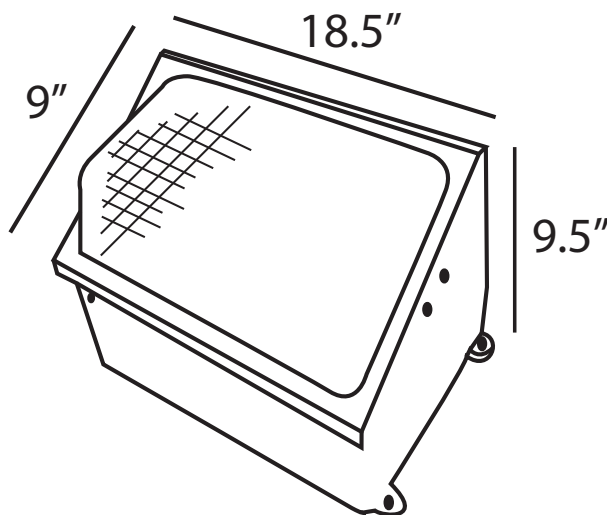
SPECIFICATIONS:

| Item | Specification | Details |
|---------------------|-------------------------|--|
| General Performance | Spacing Criteria | Available upon request |
| | Color Temperature | 5000K |
| | Lumens Delivered | 2000 |
| | Efficacy | 50 lumen/watt |
| | Color Consistency | Proprietary binning for uniform color |
| | Lumen Maintenance (L70) | 50,000 hours |
| Electrical | Power Factor | Over 98% |
| | Input Voltage | 120V-277V 50/60 Hz |
| | Power Consumption | 40 Watts |
| Physical | Dimensions | 18.5" x 9.5" x 9.0" |
| | Weight | 10.5 lbs |
| | Housing | Aluminum |
| | Lens | High quality shatterproof glass |
| | Mounting | Can mount to recessed outlet box or direct to surface. |
| | Operating Temperature | -30°F to 130°F |
| | Humidity | 20% - 85% RH, non condensing |
| Certification | Certification | CETL, FCC, LM79, LM80 |
| | Material Usage | RoHS compliant; no mercury |
| | Environment | Indoor / Outdoor |
| | LED Class | L70 rated to 50,000 hours |



Lighting layouts and spacing criteria available upon request

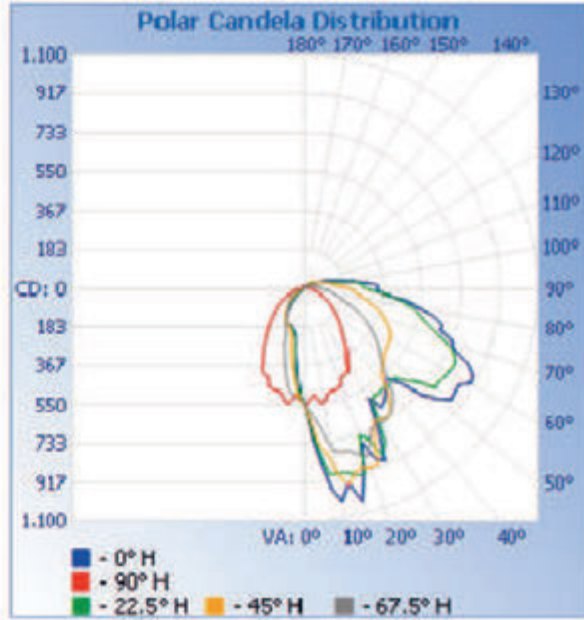
DIMENSIONS:



PHOTOMETRICS:

Intensity (Candlepower) Summary at 25°C - Candelas

| Angle | 0 | 22.5 | 45 | 67.5 | 90 |
|---------------------|------|------|-----|------|-----|
| MLLWP40LED50 | | | | | |
| 0 | 558 | 558 | 558 | 558 | 558 |
| 5 | 822 | 783 | 747 | 639 | 507 |
| 10 | 1019 | 888 | 882 | 778 | 543 |
| 15 | 1041 | 914 | 903 | 794 | 502 |
| 20 | 772 | 743 | 903 | 846 | 496 |
| 25 | 894 | 866 | 774 | 737 | 451 |
| 30 | 601 | 652 | 712 | 728 | 397 |
| 35 | 654 | 607 | 712 | 712 | 340 |
| 40 | 592 | 611 | 586 | 645 | 279 |
| 45 | 644 | 598 | 525 | 518 | 234 |
| 50 | 811 | 690 | 490 | 461 | 191 |
| 55 | 857 | 770 | 482 | 403 | 160 |
| 60 | 902 | 782 | 471 | 343 | 128 |
| 65 | 847 | 775 | 440 | 277 | 93 |
| 70 | 733 | 680 | 396 | 221 | 68 |
| 75 | 671 | 574 | 350 | 170 | 48 |
| 80 | 555 | 514 | 287 | 127 | 32 |
| 85 | 395 | 400 | 239 | 91 | 20 |
| 90 | 345 | 278 | 200 | 71 | 15 |
| 95 | 275 | 252 | 144 | 57 | 14 |
| 100 | 179 | 163 | 113 | 46 | 14 |
| 105 | 123 | 108 | 87 | 37 | 14 |
| 110 | 86 | 82 | 65 | 30 | 13 |
| 115 | 54 | 56 | 50 | 24 | 11 |
| 120 | 40 | 43 | 40 | 20 | 9 |
| 125 | 34 | 36 | 31 | 15 | 7 |
| 130 | 30 | 30 | 24 | 11 | 5 |
| 135 | 26 | 25 | 18 | 8 | 4 |
| 140 | 20 | 19 | 13 | 6 | 3 |
| 145 | 14 | 13 | 9 | 3 | 2 |
| 150 | 10 | 9 | 6 | 2 | 2 |
| 155 | 6 | 6 | 3 | 2 | 2 |
| 160 | 4 | 3 | 1 | 1 | 1 |
| 165 | 1 | 1 | 1 | 1 | 1 |
| 170 | 1 | 1 | 1 | 1 | 2 |



Lighting layouts and spacing criteria available upon request

