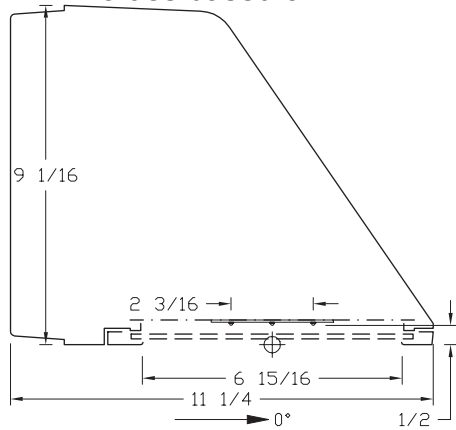
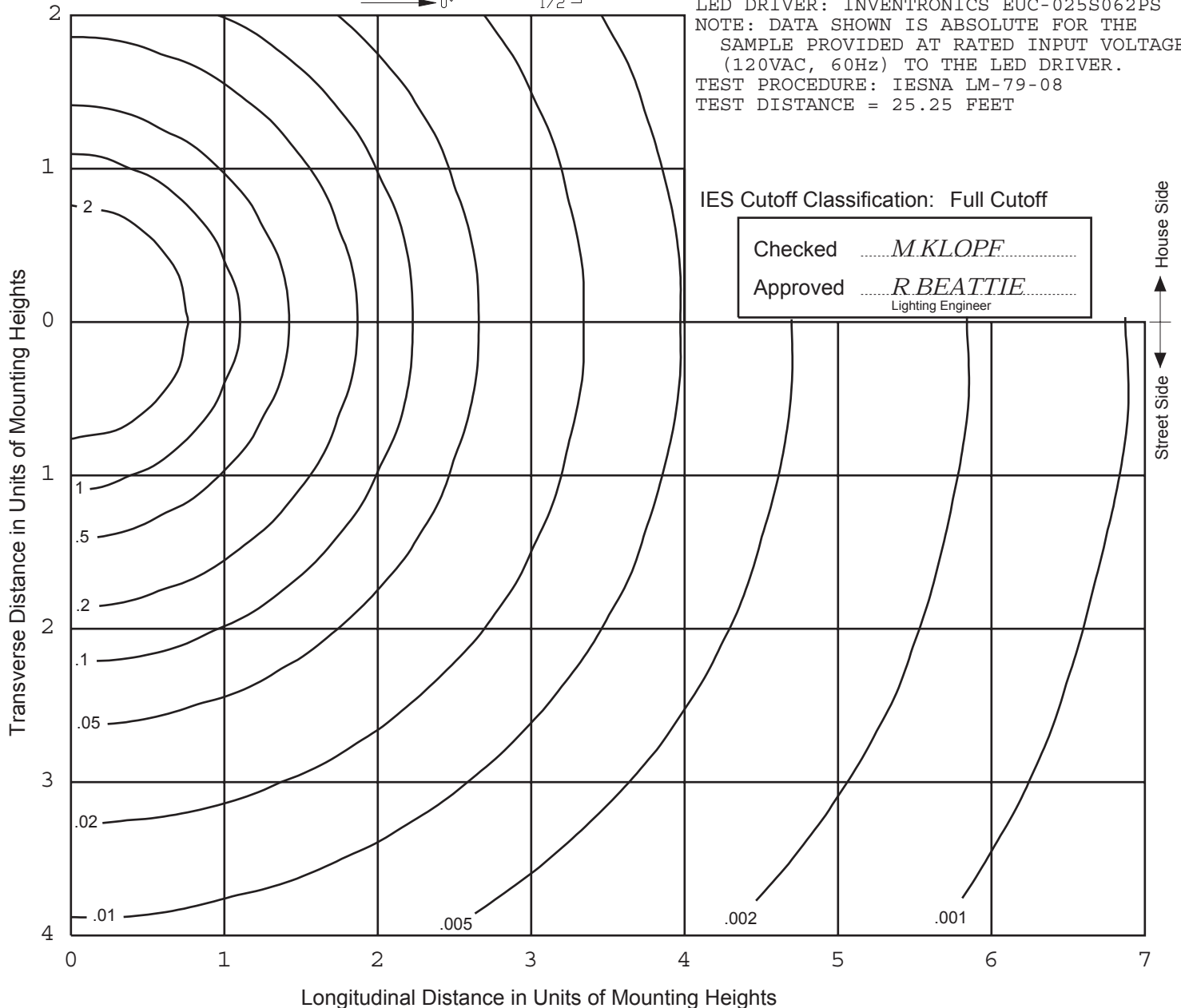


ISOFOOTCANDLE LINES OF HORIZONTAL ILLUMINATION
Values based on 10 foot mounting height.



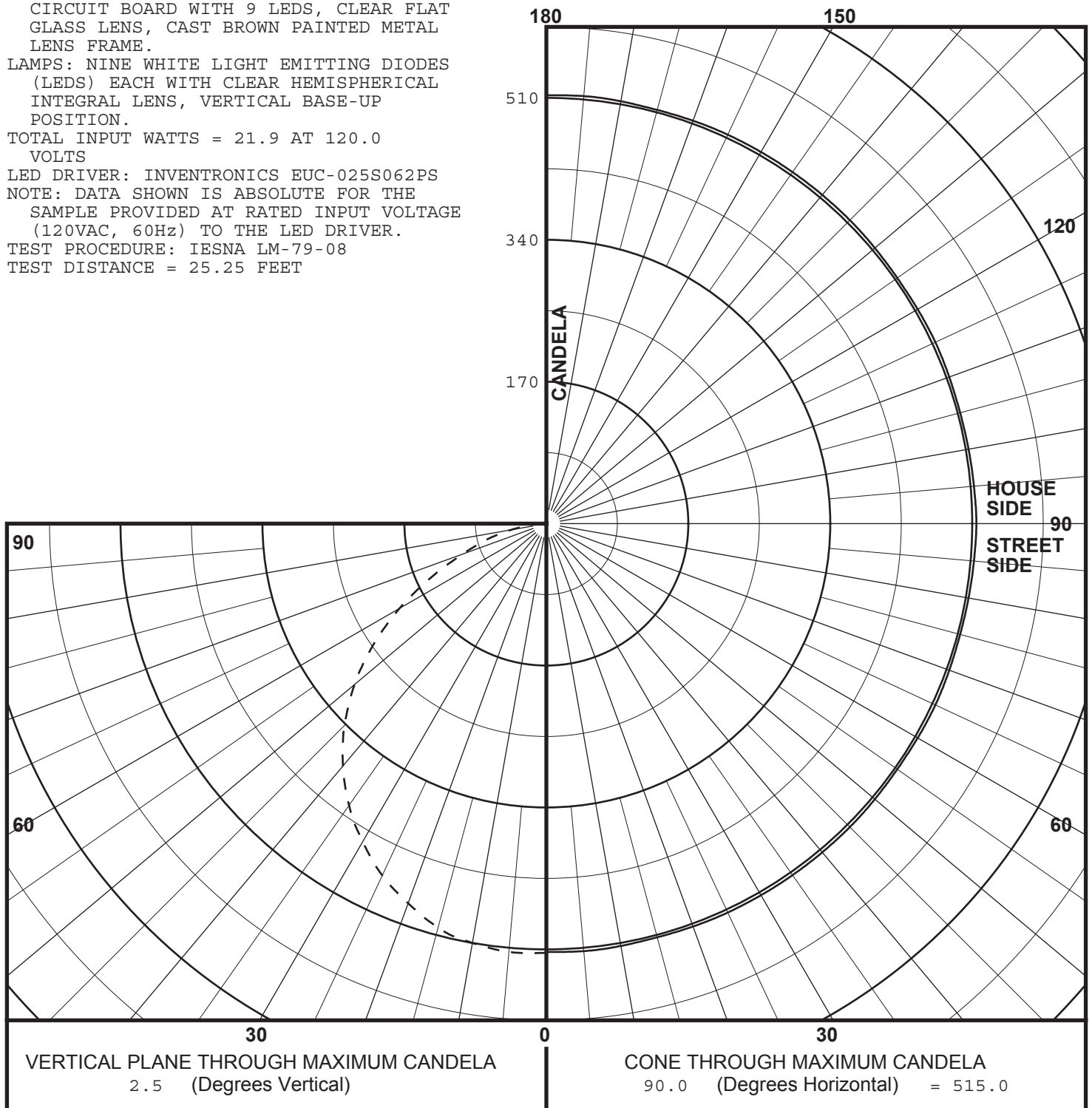
REPORT NUMBER: ITL67405
ISSUE DATE: 02/16/11 PAGE: 1 OF 6
PREPARED FOR: MAXLITE
CATALOG NUMBER: MLSWP20LED50DS
LUMINAIRE: CAST BROWN PAINTED METAL HOUSING, FLAT SEMI-DIFFUSE METAL CIRCUIT BOARD MOUNTING PLATE, ONE CIRCUIT BOARD WITH 9 LEDs, CLEAR FLAT GLASS LENS, CAST BROWN PAINTED METAL LENS FRAME.
LAMPS: NINE WHITE LIGHT EMITTING DIODES (LEDs) EACH WITH CLEAR HEMISPHERICAL INTEGRAL LENS, VERTICAL BASE-UP POSITION.
TOTAL INPUT WATTS = 21.9 AT 120.0 VOLTS
LED DRIVER: INVENTRONICS EUC-025S062PS
NOTE: DATA SHOWN IS ABSOLUTE FOR THE SAMPLE PROVIDED AT RATED INPUT VOLTAGE (120VAC, 60Hz) TO THE LED DRIVER.
TEST PROCEDURE: IESNA LM-79-08
TEST DISTANCE = 25.25 FEET





REPORT NUMBER: ITL67405
 ISSUE DATE: 02/16/11 PAGE: 2 OF 6
 PREPARED FOR: MAXLITE
 CATALOG NUMBER: MLSWP20LED50DS
 LUMINAIRE: CAST BROWN PAINTED METAL HOUSING, FLAT SEMI-DIFFUSE METAL CIRCUIT BOARD MOUNTING PLATE, ONE CIRCUIT BOARD WITH 9 LEDs, CLEAR FLAT GLASS LENS, CAST BROWN PAINTED METAL LENS FRAME.
 LAMPS: NINE WHITE LIGHT EMITTING DIODES (LEDs) EACH WITH CLEAR HEMISPHERICAL INTEGRAL LENS, VERTICAL BASE-UP POSITION.
 TOTAL INPUT WATTS = 21.9 AT 120.0 VOLTS
 LED DRIVER: INVENTRONICS EUC-025S062PS
 NOTE: DATA SHOWN IS ABSOLUTE FOR THE SAMPLE PROVIDED AT RATED INPUT VOLTAGE (120VAC, 60Hz) TO THE LED DRIVER.
 TEST PROCEDURE: IESNA LM-79-08
 TEST DISTANCE = 25.25 FEET

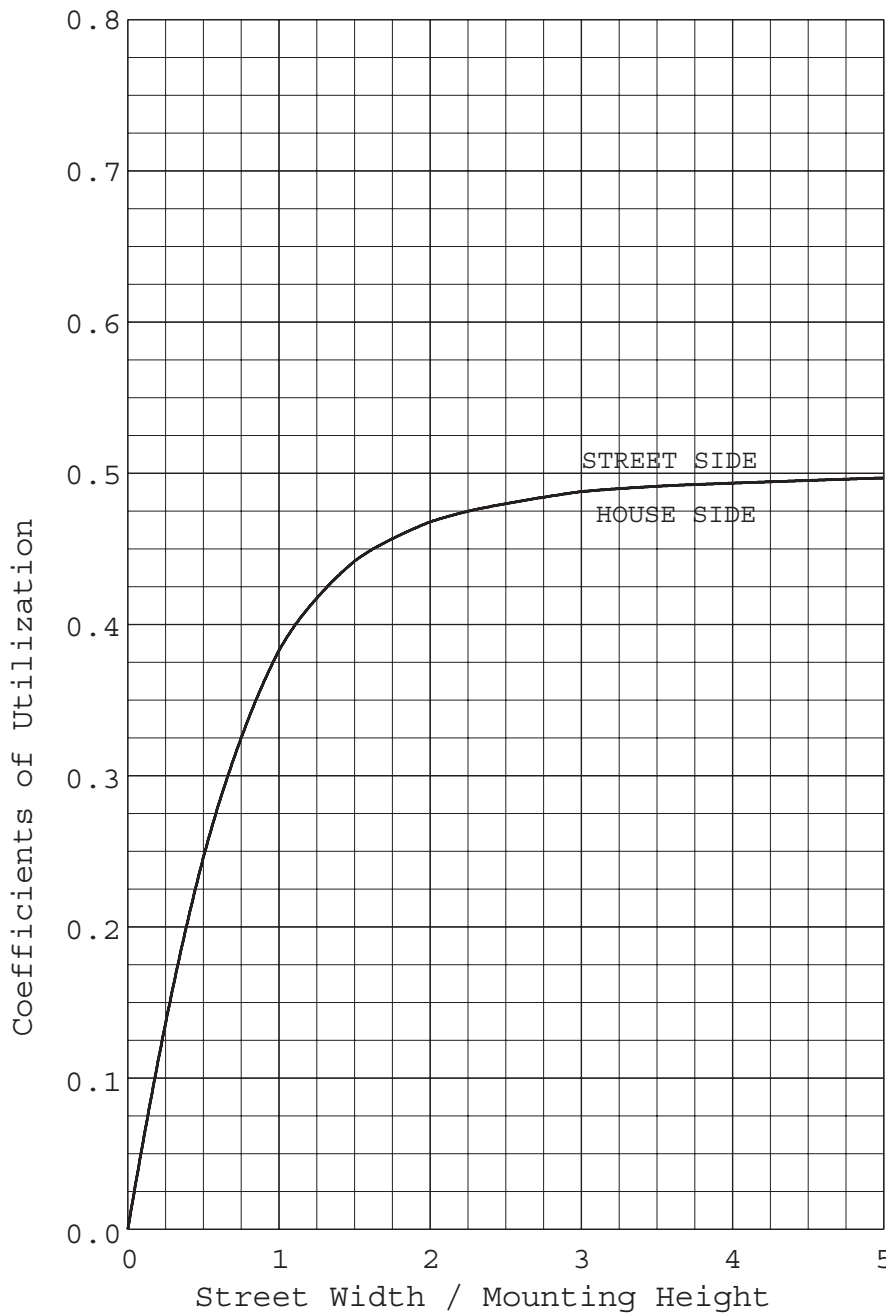
MAXIMUM PLANE AND MAXIMUM CONE PLOTS OF CANDELA



REPORT NUMBER: ITL67405
ISSUE DATE: 02/16/11
PREPARED FOR: MAXLITE

PAGE: 3 OF 6

COEFFICIENTS OF UTILIZATION AND FLUX DISTRIBUTION



	LUMENS	PERCENT OF FIXTURE
DOWNWARD STREET SIDE	689	50.0
DOWNWARD HOUSE SIDE	689	50.0
DOWNWARD TOTAL	1379	100.0
UPWARD STREET SIDE	0	0.0
UPWARD HOUSE SIDE	0	0.0
UPWARD TOTAL	0	0.0
TOTAL FLUX	1379	100.0
EFFICACY = 63.0 Lm/W		

ALL CANDELA AND LUMENS IN THIS REPORT ARE BASED ON ABSOLUTE PHOTOMETRY. THE COEFFICIENT OF UTILIZATION VALUES ARE BASED ON THE TOTAL ABSOLUTE LUMEN OUTPUT OF THIS LUMINAIRE SAMPLE.



INDEPENDENT TESTING LABORATORIES, INC.
 3386 LONGHORN ROAD, BOULDER, CO 80302 USA

PHONE: (303)442-1255 • FAX: (303)449-5274 • E-MAIL: itl@itlboulder.com • WEBSITE: www.itlboulder.com

REPORT NUMBER: ITL67405
 ISSUE DATE: 02/16/11
 PREPARED FOR: MAXLITE

PAGE: 4 OF 6

FLUX DISTRIBUTION BY SOLID ANGLE

(PER IESNA TM-15-07, LUMINAIRE CLASSIFICATION SYSTEM FOR OUTDOOR LUMINAIRES)

	LUMENS	PERCENT OF FIXTURE	BUG ZONE RATINGS
FORWARD LIGHT	689.	50.0	
FL (0- 30)	200.9	14.6	
FM (30- 60)	367.5	26.7	
FH (60- 80)	113.7	8.2	G0
FVH(80- 90)	7.3	0.5	U0 G0
BACK LIGHT	689.	50.0	
BL (0- 30)	200.9	14.6	B1
BM (30- 60)	367.5	26.7	B1
BH (60- 80)	113.7	8.2	B1 G0
BVH(80- 90)	7.3	0.5	U0 G0
UPLIGHT	0.	0.0	
UL (90-100)	0.0	0.0	U0
UH (100-180)	0.0	0.0	U0
TRAPPED LIGHT	0.	0.0	
TOTAL FLUX	1379.	100.0	

BACKLIGHT, UPLIGHT, AND GLARE (BUG) RATINGS
 (PER ADDENDUM A FOR IESNA TM-15-07)

BUG RATING: B1 U0 G0



INDEPENDENT TESTING LABORATORIES, INC.
3386 LONGHORN ROAD, BOULDER, CO 80302 USA

PHONE: (303)442-1255 • FAX: (303)449-5274 • E-MAIL: itl@itlboulder.com • WEBSITE: www.itlboulder.com

REPORT NUMBER: ITL67405
ISSUE DATE: 02/16/11
PREPARED FOR: MAXLITE

PAGE: 5 OF 6

CANDELA TABULATION

	LATERAL ANGLE										
	0.0	5.0	15.0	25.0	35.0	45.0	55.0	65.0	75.0	85.0	90.0
	90.0	0.	0.	0.	0.	0.	0.	0.	0.	0.	0.
	87.5	0.	0.	0.	0.	0.	0.	0.	0.	0.	0.
	85.0	1.	2.	2.	4.	6.	11.	13.	16.	14.	13.
	82.5	16.	17.	16.	19.	20.	27.	30.	30.	29.	30.
	80.0	29.	31.	37.	39.	41.	43.	44.	45.	44.	44.
	77.5	52.	53.	54.	55.	57.	58.	60.	60.	59.	59.
	75.0	67.	68.	68.	70.	72.	74.	75.	76.	74.	75.
	72.5	83.	83.	84.	86.	88.	89.	92.	91.	90.	90.
	70.0	102.	102.	103.	105.	107.	108.	110.	109.	108.	108.
	67.5	122.	124.	125.	127.	130.	130.	131.	130.	129.	129.
	65.0	148.	149.	150.	151.	152.	152.	153.	152.	153.	153.
	62.5	174.	176.	176.	175.	175.	175.	176.	176.	178.	179.
	60.0	200.	201.	200.	198.	197.	197.	199.	200.	202.	204.
	57.5	225.	225.	223.	221.	220.	221.	223.	224.	227.	229.
V	55.0	248.	248.	246.	243.	244.	244.	246.	248.	252.	253.
E	52.5	270.	271.	268.	266.	267.	267.	268.	271.	275.	277.
R	50.0	293.	295.	292.	290.	290.	290.	290.	293.	298.	300.
T	47.5	317.	317.	315.	312.	313.	312.	312.	315.	319.	321.
I	45.0	338.	339.	337.	334.	335.	332.	332.	336.	340.	341.
C	42.5	359.	359.	358.	354.	354.	352.	352.	356.	359.	360.
A	40.0	377.	378.	377.	373.	373.	372.	372.	375.	378.	379.
L	37.5	394.	394.	394.	391.	391.	390.	390.	392.	395.	396.
	35.0	409.	409.	410.	408.	407.	406.	407.	409.	411.	411.
A	32.5	424.	424.	425.	424.	422.	422.	423.	425.	426.	426.
N	30.0	437.	437.	438.	437.	436.	435.	437.	439.	440.	440.
G	27.5	450.	449.	451.	449.	449.	449.	451.	452.	453.	452.
L	25.0	461.	461.	462.	461.	460.	461.	463.	464.	465.	464.
E	22.5	471.	471.	472.	471.	471.	471.	473.	475.	475.	475.
	20.0	479.	479.	480.	479.	480.	480.	482.	483.	484.	484.
	17.5	487.	487.	489.	488.	488.	488.	490.	491.	491.	491.
	15.0	495.	495.	496.	496.	496.	496.	497.	499.	498.	498.
	12.5	502.	502.	502.	502.	503.	502.	503.	505.	504.	504.
	10.0	506.	506.	506.	507.	507.	506.	507.	509.	507.	508.
	7.5	510.	510.	509.	510.	510.	510.	510.	512.	510.	511.
	5.0	512.	513.	512.	513.	513.	513.	512.	514.	513.	514.
	2.5<<	513.	514.	513.	514.	514.	514.	513.	514.	513.	514.
	0.0	514.	514.	514.	514.	514.	514.	514.	514.	514.	514.

PLANE OF MAXIMUM CANDELA

CONE OF MAXIMUM CANDELA



INDEPENDENT TESTING LABORATORIES, INC.
3386 LONGHORN ROAD, BOULDER, CO 80302 USA

PHONE: (303)442-1255 • FAX: (303)449-5274 • E-MAIL: itl@itlboulder.com • WEBSITE: www.itlboulder.com

REPORT NUMBER: ITL67405
ISSUE DATE: 02/16/11
PREPARED FOR: MAXLITE

PAGE: 6 OF 6

ADDRESS: 12 York Ave
West Caldwell, NJ 07006

THIS ITL REPORT WITH THE USE OF THE NVLAP LOGO SHALL NOT BE USED BY THE CLIENT TO CLAIM PRODUCT CERTIFICATION, APPROVAL, OR ENDORSEMENT BY NVLAP, NIST, OR ANY AGENCY OF THE FEDERAL GOVERNMENT.