

NTL-181

Low Voltage Gimbal Ring Track Pack

Low Voltage Track Pack

Lamps: (3) 50W MR16

PRODUCT DESCRIPTION

One 3' single circuit extruded aluminum track with 20-Amp rated flat, solid integral conductors equipped with two end caps. 3 low voltage adjustable gimbal ring track heads with black baffles. The track pack also includes a floating canopy feed, which allows the track to connect to an existing outlet box anywhere along the track.

Features

- Wide variety of reflector angles.
- Lightweight, strong steel construction.
- Heat resistant Teflon coated wire lead.
- Low profile gimbal ring with minimum profile.
- Adjustable "L" bracket for precision aiming.
- One or two circuit track capable.

CONSTRUCTION

Track Extrusion

.030 die cast aluminum construction with 0.045 PVC insulators holding 12-gauge flat conductor wiring. Polarity groove is located on face of track to indicate location of grounding conductor.

Gimbal Ring

.030 Baked enamel finished steel ring. High-tension stainless steel spring secures MR16 light source.

"L" Bracket Mount

.085 Rigid steel bracket connects fixture housing to electrical contact head. Plastic angle tightening knob maintains clean, decorative appearance of the fixture and provides secure angle position.

Lamp Shield

High temperature glass shield included.

Socket

Porcelain socket for GU 5.3 12V MR16 lamp.

Contact Head Assembly

Three 0.030 stainless steel contacts mounted in high heat rated plastic housing.

One/Two Circuit Conversion

Positive contact (opposite neutral and ground contacts) is preset to "down" position at factory but may be raised to the higher position to install onto the second circuit of Nora Lighting NT-2300 series two-circuit track.

ELECTRICAL

Track

2400 Watts, 120V input, 60Hz.

Electrical System

1. **Transformer** – Solid state electronic transformer provides noise-free voltage reduction and operation. If dimming, use electronic low voltage rated only dimming controls.

120V/60Hz Input; 12V Output; 50VA Max. Load

2. **Wiring** - Teflon coated wire lead connects socket and housing to electrical contact head. Teflon coating is durable and resists heat degradation from lamp and housing radiation.

Create a complete catalog number: Example: NTL-181B / NM-110

Track Pack - select one box from each column

Catalog No.	Lamp	Wattage	Finish
NTL-181	MR16	50	B
			W

Finishes: B = Black, W = White

NORALIGHTING®

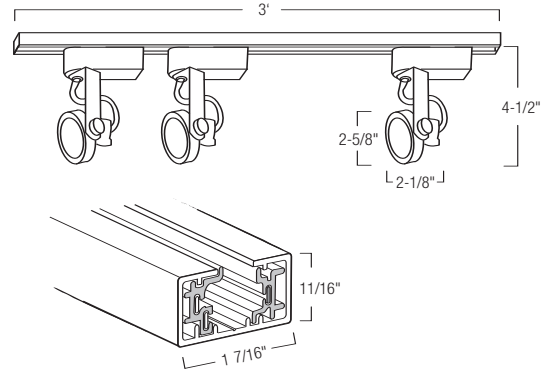
Type _____

Project _____

Catalog No. _____

Lamp/Wattage _____

DIMENSIONS



TRACK:
Height: 1 1/16"
Length: 3'
Width: 1-7/16"

TRACK HEAD:
Diameter: 2-5/8"
Length: 2-1/8"
Max. Extension: 4-1/2"

Dimming

Nora track may be dimmed with any approved low voltage dimmer.

Lamp

- 50W 12V MR16 Halogen Lamp (not included).

Finishes

Black or White heat rated baked enamel paint.

Compatibility

Nora track fixtures are interchangeable with Halo, Catalina, Hampton Bay, Halo-Edison, or any other brands configured to Halo 3 conductor track design.

Note: Fixtures may not be compatible with non-Nora transformers or monopoint adapters.

Optional Accessories

NM-110 MR16 filter

Labels and Listings

UL Listed as track lighting fitting.
UL Listed for indoor, dry location.



Optional Accessories

Catalog No.
NM-110

NORALIGHTING®

6505 Gayhart St., Commerce, CA 90040 Phone: 800.686.6672 • FAX 800.500.9955
www.noralighting.com • e-mail: nora@noralighting.com Specifications subject to change without notice. © 2008