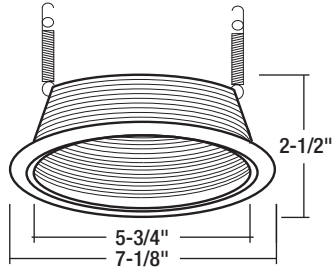


**NTM-40 / NTM-41
Stepped Baffle with Ring**

TRIM DIMENSIONS



Trim OD: 7-1/8" (Oversize: 7-3/4")
Aperture: 5-3/4"
Height: 2-1/2"

FEATURES

Trim
Precision spun 0.040 aluminum baffle insert with deep grooves to reduce aperture glare. Non-reflective painted finishes. Separate trim ring available in plastic or metal, may also be used with custom combination of ring finishes.

Mounting
Trim includes two coil springs that clip and securely hold the trim into the housing when installed. Replacement coil springs are available (NRA-22).

Compatible Housings
Compatible with Line Voltage and Compact Fluorescent housings. See individual specification sheets for more information.

Lamp
Line Voltage
100W BR40/PAR38 Maximum (NHIC-17/100DWQA)
150W BR40/PAR38 Maximum (NH-26Q; NHR-26Q)

Compact Fluorescent
(1) 13W-42W Triple Tube (NHPH-113SEL; NHPH-118SEL; NHPH-2642SEL; NHRPH-113SEL; NHRPH-118SEL; NHRPH-2642SEL)
(2) 13W-26W Quad Tube (NHPH-213SEL; NHPH-218SEL; NHPH-226SEL; NHRPH-213SEL; NHRPH-218SEL; NHRPH-226SEL)

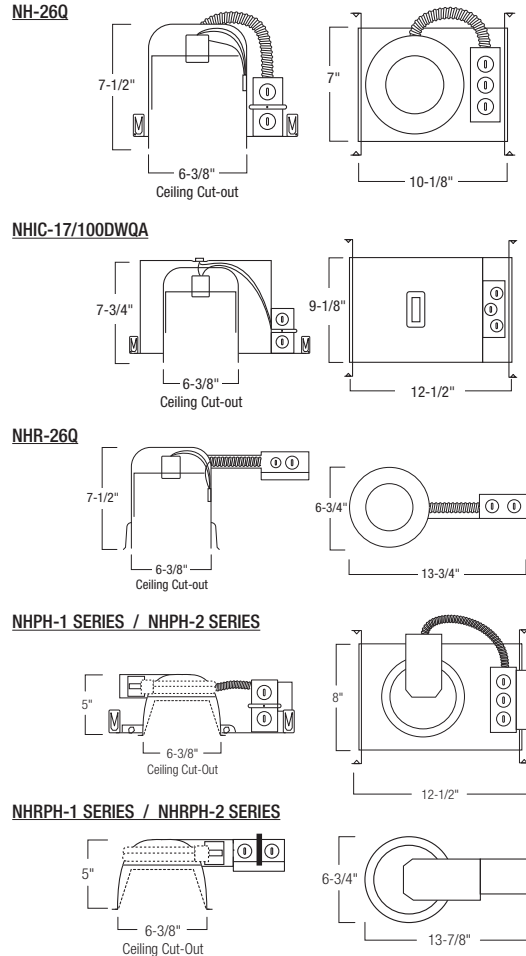
Labels and Listings
cULus Listed for Damp Location when used with compatible housing
UL Classified for use with most manufacturer' housings

Stepped Baffle with Ring

- NTM-40:** Black Stepped Baffle with White Plastic Ring
- NTM-40/OV:** Black Stepped Baffle with Oversize White Plastic Ring
- NTM-40/2R:** Black Stepped Baffle with Two White Plastic Rings (Regular and Oversize)
- NTM-40B:** Black Stepped Baffle with Black Plastic Ring
- NTM-40C:** Black Stepped Baffle with Chrome Plastic Ring
- NTM-40G:** Black Stepped Baffle with Gold Plastic Ring
- NTM-40N:** Black Stepped Baffle with Natural Metal Ring
- NTM-41:** White Stepped Baffle with White Plastic Ring
- NTM-41/OV:** White Stepped Baffle with Oversize White Plastic Ring
- NTM-41/2R:** White Stepped Baffle with Two White Plastic Rings (Regular and Oversize)
- NTM-41BZ:** Bronze Stepped Baffle with Bronze Metal Ring
- NTM-41C:** White Stepped Baffle with Chrome Plastic Ring
- NTM-41CO:** Copper Stepped Baffle with Copper Metal Ring
- NTM-41G:** White Stepped Baffle with Gold Plastic Ring
- NTM-41N:** Natural Metal Stepped Baffle with Natural Metal Ring

Type
Project
Catalog No.
Lamp/Wattage

HOUSING DIMENSIONS



Compatible Housings

LINE VOLTAGE		
Item Number	Installation Type	Dimensions
<input type="checkbox"/> NH-26Q	Non-IC New Construction	W: 7" L: 10-1/8" H: 7-1/2"
<input type="checkbox"/> NHIC-17/100DWQA	IC Double Wall Air-Tight New Construction	W: 9-1/8" L: 12-1/2" H: 7-3/8"
<input type="checkbox"/> NHR-26Q	Non-IC Remodel Housing	W: 6-3/4" L: 13-3/4" H: 7-1/2"
COMPACT FLUORESCENT		
<input type="checkbox"/> NHPH-113SEL	Non-IC Shallow New Construction	W: 8" L: 12-1/2" H: 4-3/8"
<input type="checkbox"/> NHPH-118SEL	Non-IC Shallow New Construction	W: 8" L: 12-1/2" H: 4-3/8"
<input type="checkbox"/> NHPH-2642SEL	Non-IC Shallow New Construction	W: 8" L: 12-1/2" H: 4-3/8"
<input type="checkbox"/> NHPH-213SEL	Non-IC Shallow New Construction	W: 8" L: 12-1/2" H: 4-3/8"
<input type="checkbox"/> NHPH-218SEL	Non-IC Shallow New Construction	W: 8" L: 12-1/2" H: 4-3/8"
<input type="checkbox"/> NHPH-226SEL	Non-IC Shallow New Construction	W: 8" L: 12-1/2" H: 4-3/8"
<input type="checkbox"/> NHRPH-113SEL	Non-IC Shallow Remodel	W: 6-3/4" L: 13-7/8" H: 4-3/8"
<input type="checkbox"/> NHRPH-118SEL	Non-IC Shallow Remodel	W: 6-3/4" L: 13-7/8" H: 4-3/8"
<input type="checkbox"/> NHRPH-2642SEL	Non-IC Shallow Remodel	W: 6-3/4" L: 13-7/8" H: 4-3/8"
<input type="checkbox"/> NHRPH-213SEL	Non-IC Shallow Remodel	W: 6-3/4" L: 13-7/8" H: 4-3/8"
<input type="checkbox"/> NHRPH-218SEL	Non-IC Shallow Remodel	W: 6-3/4" L: 13-7/8" H: 4-3/8"
<input type="checkbox"/> NHRPH-226SEL	Non-IC Shallow Remodel	W: 6-3/4" L: 13-7/8" H: 4-3/8"