



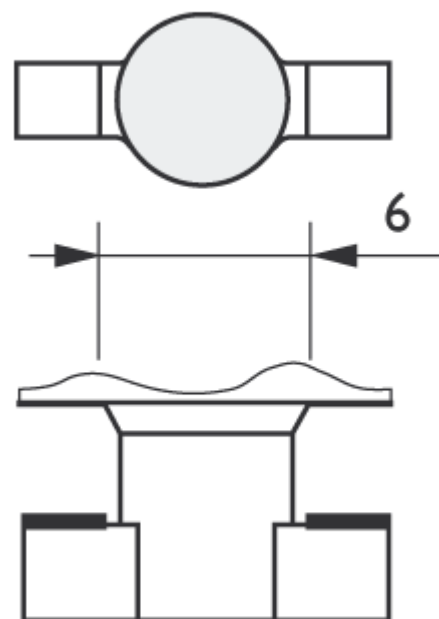
MasterColor CDM-TM 35W/930 BT-5 CL ICT

Product family description

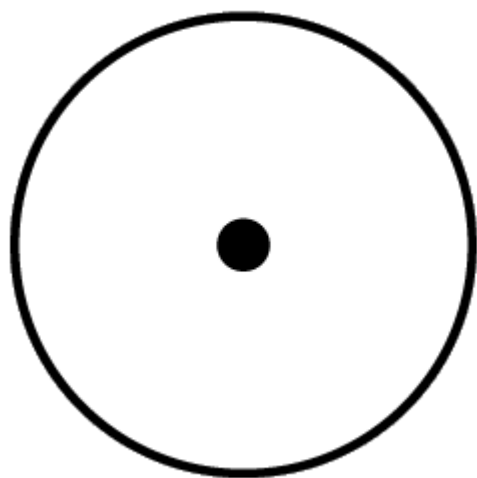
Product data	
Product Number	211391
Full product name	MasterColor CDM-TM 35W/930 BT-5 CL ICT
Ordering Code	211391
Pack type	1 Lamp in a Folding Carton
Pieces per Sku	1
Skus/Case	12
Pack UPC	8711500211491
EAN2US	
Case Bar Code	8711500211507
Successor Product number	
Base	PGJ5
Bulb	T3.5
Bulb Finish	Clear
Operating Position	Universal [Any or Universal (U)]
Packing Type	ICT [1 Lamp in a Folding Carton]
Packing Configuration	12
Ordering Code	CDM 35/TM/930
Pack UPC	8711500211491
Case Bar Code	8711500211507
System Power EL	- W
Watts	35W
Lamp Wattage EL	39 W
Lamp Voltage	96 V
Dimmable	No
Color Code	930 [CCT of 3000K]
Color Rendering Index	90 Ra8
Color Designation	Warm White
Color Description	930 Warm White
Color Temperature	3000 K
Initial Lumens	3000 Lm
Design Mean Lumens	- Lm
Overall Length C	52 mm
Diameter D	11.2 mm
Light Center Length L	0.89 in
Max Overall Length (MOL) - C	2.05 in
Diameter D	0.44 in
Product Number	211391



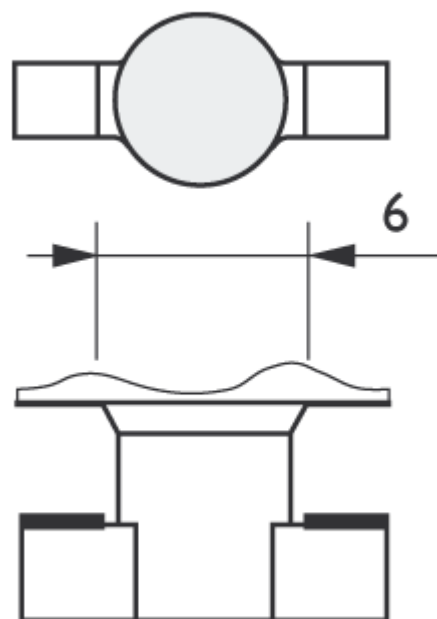
CDM-Tm



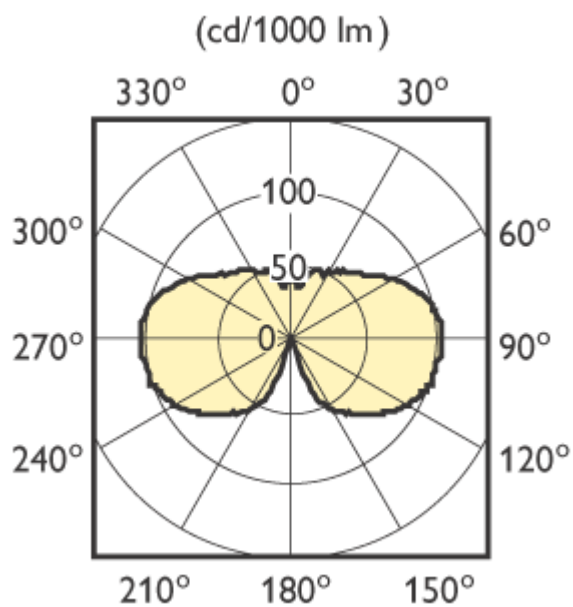
Cap-Base PGJ5



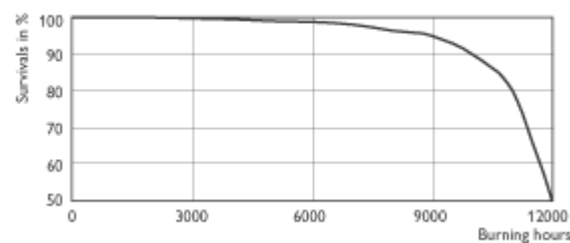
Operating Position any



CDM-Tm

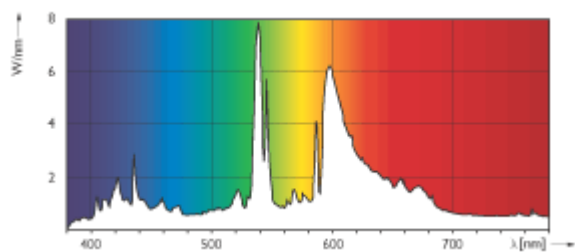


CDM-Tm



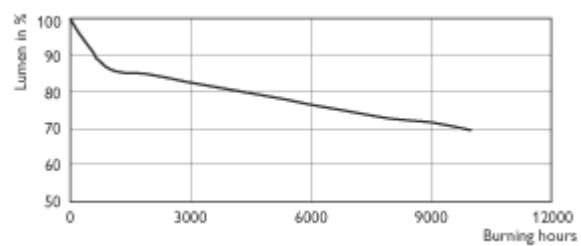
on electronic gear

CDM-Tm



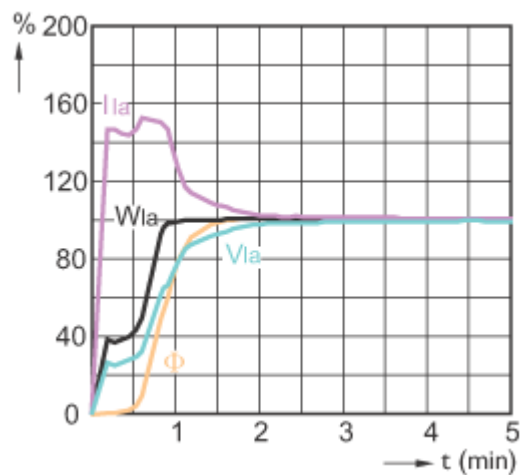
MASTERColour CDM-Tm Mini /830 & /930

CDM-Tm

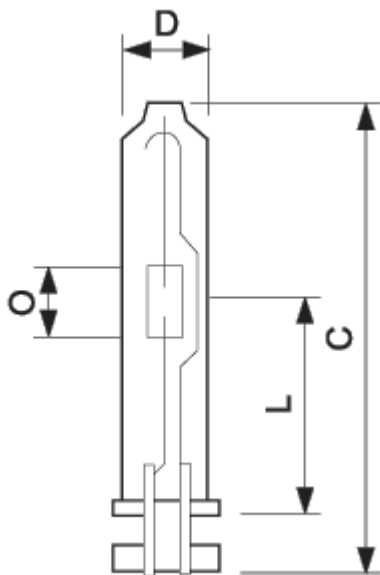


on electronic gear

CDM-Tm



CDM-Tm



CDM-Tm

	C	C	C	D	D	D
Full product name	Max	Max	Max	Max	Max	Max
	52	52	52	11.2	11.2	11.2

	L	L	L	L	L	L
Full product name	Min	Min	Min	Nom	Nom	Nom
	22.3	22.3	22.3	22.6	22.6	22.6

	L	L	L	O	O	O
Full product name	Max	Max	Max	Min	Min	Min
	22.9	22.9	22.9	-	-	-

	O	O	O	O	O	O
Full product name	Nom	Nom	Nom	Max	Max	Max
	4	4	4	-	-	-

Full product name						



©2009 Koninklijke Philips Electronics N.V.

All rights reserved. Reproduction in whole or in part is prohibited without the prior written consent of the copyright owner. The information presented in this document does not form part of any quotation or contract, is believed to be accurate and reliable and may be changed without notice. No liability will be accepted by the publisher for any consequence of its use. Publication thereof does not convey nor imply any license under patent- or other industrial or intellectual property rights.

Document order number : 0000 000 00000