



MasterColor CDM-TC 35W/830 T4 CL

Product family description

Range of single-ended T4, compact, high-efficiency, ceramic metal halide lamps with a stable color over lifetime and a crisp, sparkling light.

Features/Benefits

- Excellent color rendering.
- Superior color stability over life within $\pm 200\text{K}$.
- Lamp to lamp color consistency over life.
- Warm (3K) color impression.
- High lamp efficacy (up to 93 lumens per watt) for energy saving and low heat.
- Universal operating position.
- Compact lamp dimensions for high beam intensities.
- FadeBlock for reduced fading risks.
- No shut off required in 24-hour-a-day/7-day-a-week operations (relamp fixtures at or before the end of rated life).
- Long lamp life compared to incandescent and halogen lamps.

Applications

- Ideal for retail display lighting, general and indirect lighting, and wall washing.

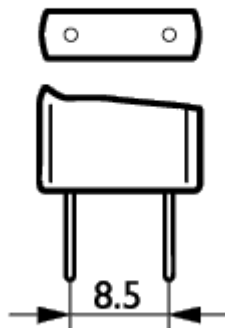
Notes

- Requires a ballast specified or approved for Philips Metal Halide lamp or one designed to the indicated ANSI Standard. A pulse ignitor is required. Sockets and wiring must withstand starting pulse. (391)
- Supply volts must be $\pm 5\%$ of rated ballast line volts for reactor type and $\pm 10\%$ for CWA or electronic ballasts. (392)
- UV filtered design (FadeBlock™). (396)
- Operate only on thermally protected ballasts (397)
- G8.5 bipin based low wattage ceramic metal halide lamps; approved for electronic ballast only.
- MasterColor® Metal Halide Lamps are not recommended for use on dimmers and are not warranted if used on dimmer systems. (401)
- Rated average life is the life obtained, on the average, from large representative groups of lamps in laboratory tests under controlled conditions at 10 or more operating hours per start. It is based on survival of at least 50% of the lamps and allows for individual lamps or groups of lamps to vary considerably from the average. For lamps with a rated average life of 24,000 hours, life is based on survival of 67% of the lamps. (351)
- Approximate lumen values listed are for vertical operation of the lamp. (352)
- Means Lumens is the approximate lumen output at 40% of lamp rated average life. (353)
- Heat resisting glass bulb.

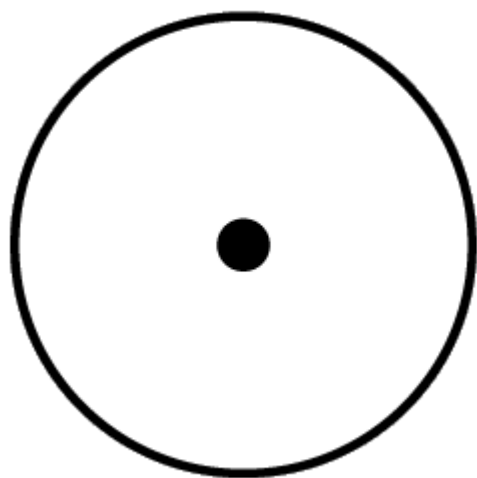
Product data	
Product Number	373720
Full product name	MasterColor CDM-TC 35W/830 T4 CL
Ordering Code	373720
Pack type	1 Lamp in a Folding Carton
Pieces per Sku	1
Skus/Case	12
Pack UPC	046677373726
EAN2US	
Case Bar Code	50046677373721
Successor Product number	
Base	G8.5
Bulb	T4 [T 14mm]
Bulb Material	FadeBlock Quartz
Bulb Finish	Clear
Operating Position	Universal [Any or Universal (U)]
Packing Type	1CT [1 Lamp in a Folding Carton]
Packing Configuration	12
Avg. Life	10000 hr
Avg. Hrs. Life	12000 hr
Ordering Code	CDM35/TC/830
Pack UPC	046677373726
Case Bar Code	50046677373721
ANSI Code HID	M130/E
System Power EL	44 W
Watts	35W
Lamp Wattage EL	38 W
Lamp Voltage	88 V
Dimmable	No
Color Code	830 [CCT of 3000K]
Color Rendering Index	81 Ra8
Color Designation	Warm White
Color Description	830 Warm White
Color Temperature	3000 K
Initial Lumens	3300 Lm
Initial Lumens	3100 Lm
Design Mean Lumens	- Lm
Overall Length C	85 mm
Diameter D	15 mm
Light Center Length L	2 in
Max Overall Length (MOL) - C	3.34375 in
Diameter D	0.5 in
Product Number	373720



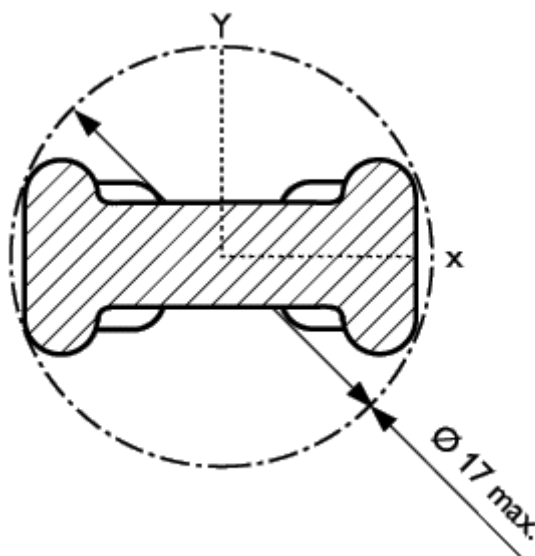
CDM-TC 35W/830/842/942



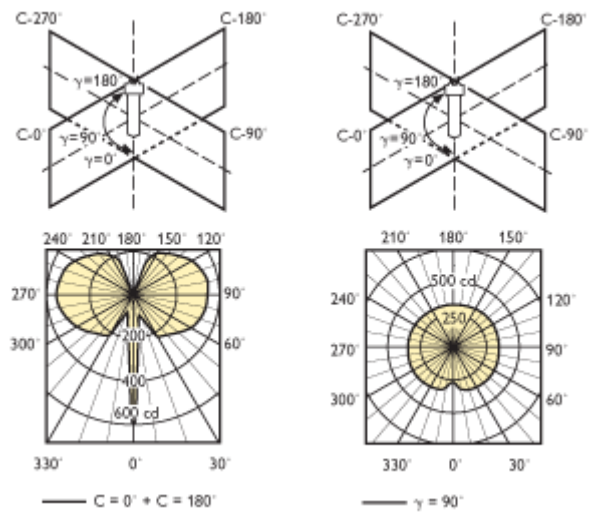
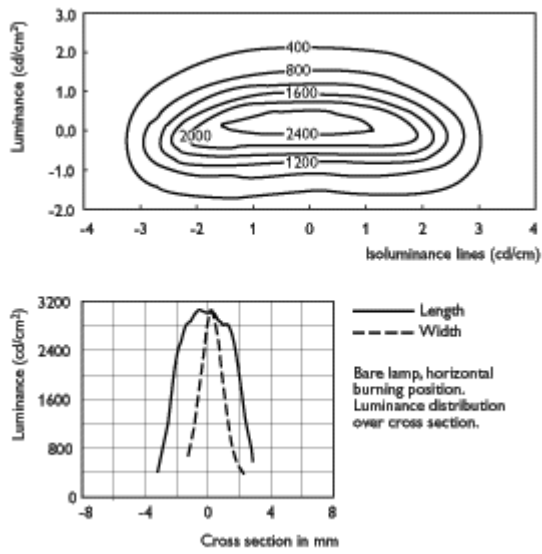
Base G8.5



Operating Position Universal

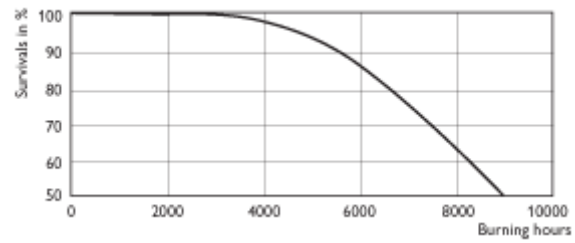
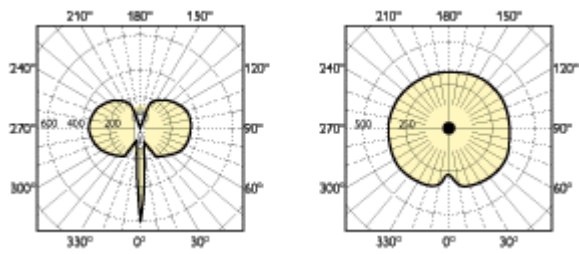


CDM-TC



CDM-TC 35W

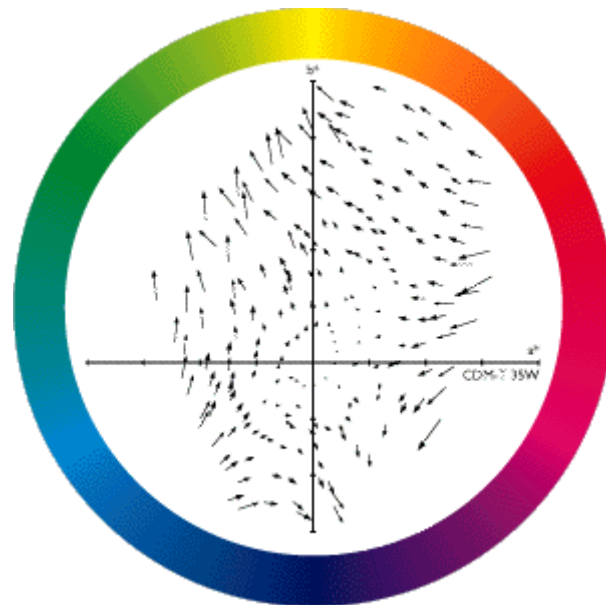
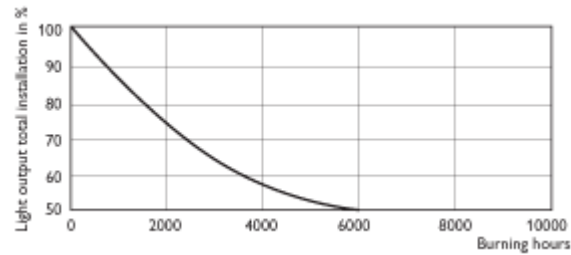
CDM-TC 35W/830



CDM-TC 35W/70W/830

on electronic & electromagnetic gear

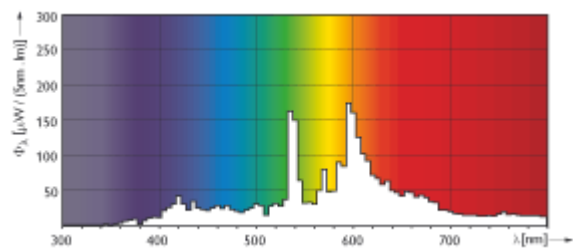
CDM-TC 35W/830



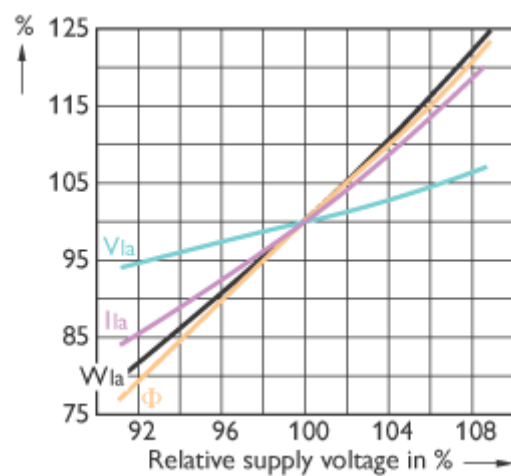
on electronic & electromagnetic gear

CDM-TC 35W/830

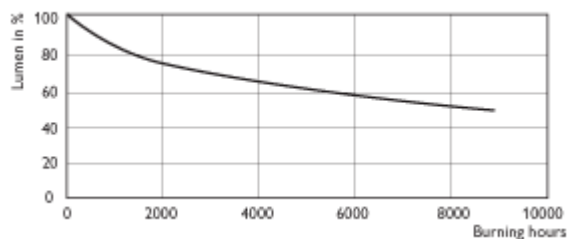
CDM-TC 35W/830



CDM-TC/830

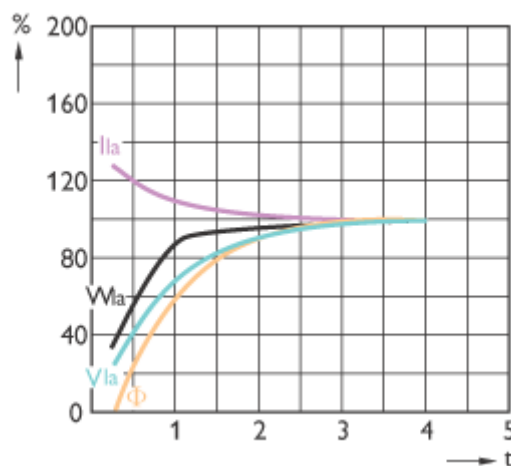


CDM-TC 35W/70W/830



on electronic & electromagnetic gear

CDM-TC 35W/830



CDM-TC 35W/70W/830/842/942

	C	C	D	D	L	L
Full product name	Max	Max	Max	Max	Min	Min
MAST ERColour CDM-TC 35W/830 G8.5 T14 CL	85	85	15	15	51	51

	L	L	L	L	O	O
Full product name	Nom	Nom	Max	Max	Min	Min
MAST ERCol our CDM- TC 35W/ 830 G8.5 T14 CL	52	52	53	53	4.69	4.69

