



MasterColor CDM-Rm 20W/830 GX10 MR16 40D 1CT

Product family description

Philips MasterColor® CDM-MR16 combines the familiar compact shape of MR-16 halogen lamps with the performance of ceramic metal halide MasterColor lamps.

Features

- Energy savings—up to 2 times less energy consumed than standard 50W halogen MR-16 lamps with comparable light output
- Long life—12,000 hours rated average life*, 4 times longer than standard 3000 hour 50W halogen MR-16 lamps
- Lamp-to-lamp color consistency
- GX10 twist-and-lock design locks base into place
- Miniturized reflector eliminates need for optical design
- Available in 25 Watts with 10, 25, and 40 degree beam spreads.
- *Rated average life is the life obtained, on the average, from large representative groups of lamps in laboratory tests under controlled conditions at 10 or more operating hours per start. It is based on survival of at least 50% of the lamps and allows for individual lamps or groups of lamps to vary considerably from the average.

Benefits

- Philips MasterColor CDM MR16 is 100% compatible with existing HID systems in the market today.
- Compact size suitable for open fixtures.
- Beam spreads available in 10, 25 and 40 degrees.

Applications

- Ideal for accent/decorative lighting, general lighting and downlighting in retail applications; or for outdoor landscaping and architectural effects.

PHILIPS

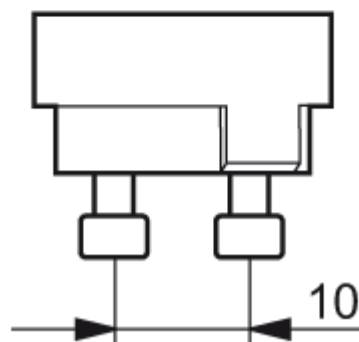
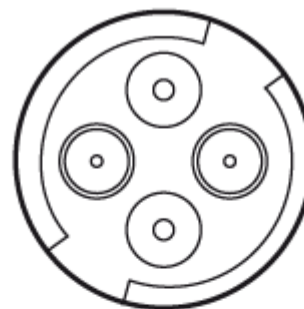
Notes

- R "WARNING: These lamps can cause serious skin burn and eye inflammation from short wave ultraviolet radiation if outer envelope of the lamp is broken or punctured. Do not use where people will remain for more than a few minutes unless adequate shielding or other safety precautions are used. Certain lamps that will automatically extinguish when the outer envelope is broken or punctured are commercially available." This lamp complies with FDA radiation performance standard 21 CFR subchapter J. (USA:21 CFR 1040.30 Canada: SOR/DORS/80-381)

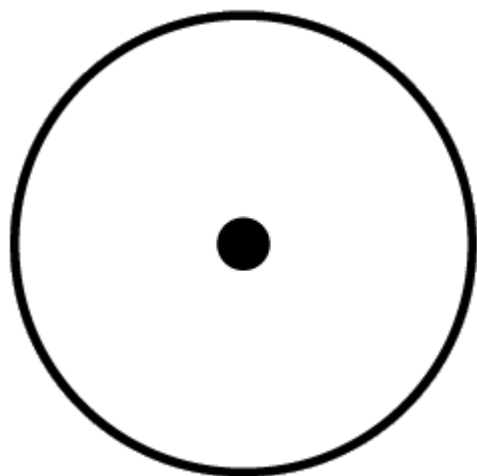
Product data	
Product Number	404987
Full product name	MasterColor CDM-Rm 20W/830 GX10 MR16 40D ICT
Ordering Code	404987
Pack type	1 Lamp in a Folding Carton
Pieces per Sku	1
Skus/Case	6
Pack UPC	046677404987
EAN2US	
Case Bar Code	50046677404982
Successor Product number	
Base	GX10
Bulb	MR16 [MR 16inch/50mm]
Bulb Finish	-
Operating Position	Universal [Any or Universal (U)]
Packing Type	ICT [1 Lamp in a Folding Carton]
Packing Configuration	6
Ordering Code	CDM-MR16 20W/830 40D 6PK
Pack UPC	046677404987
Case Bar Code	50046677404982
System Power EL	2.4 W
Watts	20W
Lamp Wattage EL	22 W
Lamp Voltage	103 V
Dimmable	No
Beam Description	-
Beam Angle	40D
Approx. MBCP	1700 cd
Color Code	830 [CCT of 3000K]
Color Rendering Index	87 Ra8
Color Temperature	3000 K
Initial Lumens	- Lm
Initial Lumens	1060 Lm
Overall Length C	65.4 mm
Diameter D	50.7 mm
Product Number	404987



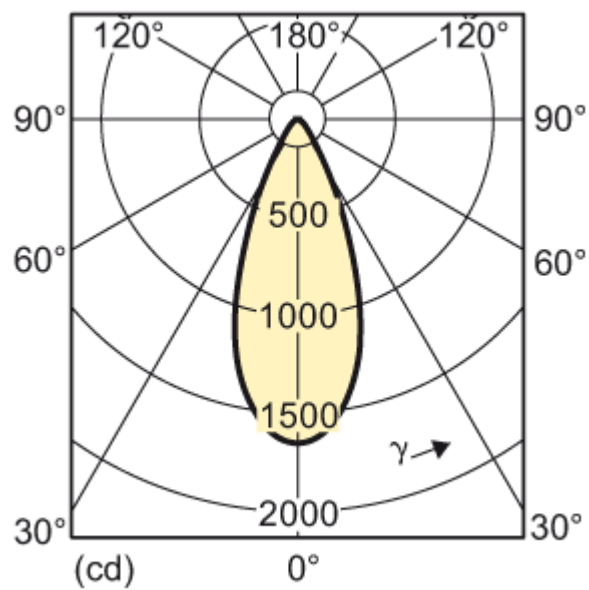
MasterColor CDM-Rm MR16 20W/830 GX10 MR16 25D/40D 0001



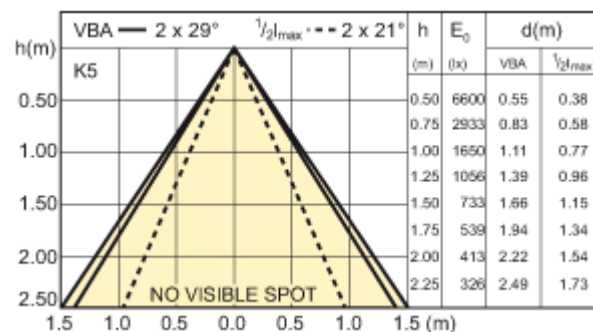
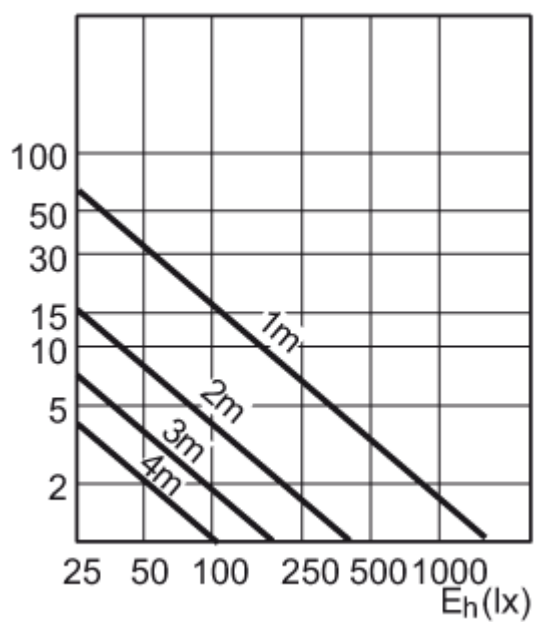
Base GX10



Operating Position Universal

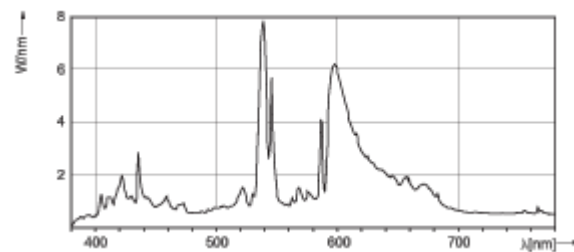
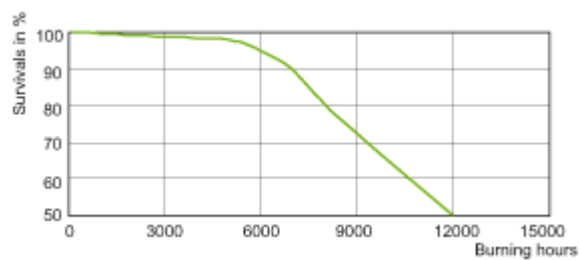


MasterColor CDM-Rm MR16 20W/830 40D 0001



MasterColor CDM-Rm MR16 20W/830 40D 0001

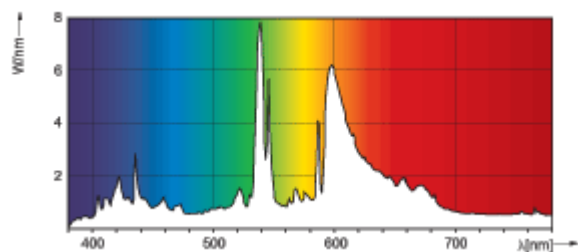
MasterColor CDM-Rm MR16 20W/830 40D 0001



MASTERColour CDM-R Mini /830

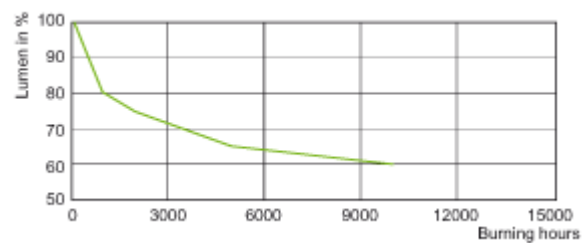
MasterColor CDM-Rm MR16 20W/830 0001

MasterColor CDM-Rm MR16 20W/830 0001

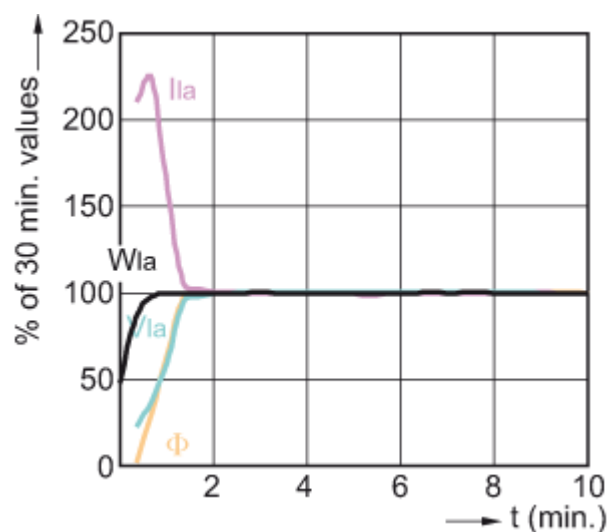


MASTERColour CDM-R Mini /830

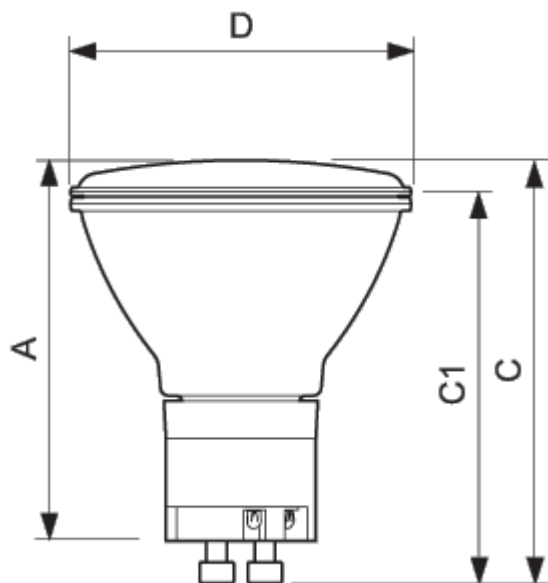
MasterColor CDM-Rm MR16 20W/830 0001



MasterColor CDM-Rm MR16 20W/830 0001



MasterColor CDM-Rm MR16 20W/830 000I



MasterColor CDM-Rm MR16 20W/830 000I

	A	C1
Full product name	Max	Max
MasterColor CDM-Rm 20W/830 GX10 MR16 40D ICT	59	60.9



©2009 Koninklijke Philips Electronics N.V.

All rights reserved. Reproduction in whole or in part is prohibited without the prior written consent of the copyright owner. The information presented in this document does not form part of any quotation or contract, is believed to be accurate and reliable and may be changed without notice. No liability will be accepted by the publisher for any consequence of its use. Publication thereof does not convey nor imply any license under patent- or other industrial or intellectual property rights.

Document order number : 0000 000 00000