



PAR30 LED with AirFlux Technology

13PAR30L/END/F25 3000 DIM SM 6/1

Philips PAR30 Dimmable LED Lamps with AirFlux Technology provide optimal thermal efficiency in a sleek, lightweight design.

Product data

• General Characteristics

Cap-Base	E26
Bulb	PAR30L
Bulb Finish	White
Rated Avg. Life (Hours)	45000 hr

• Light Technical Characteristics

Color Code	WH
Color Designation	White
Beam Angle	25 D
Correlated Color Temperature	3000 K
Approx. MBCP	3200 cd
CRI	80
Color Temp. (Kelvin)	3000 K [CCT 3000K]
Rated Luminous Flux	750 Lm

• Electrical Characteristics

Wattage	13 W
Wattage Technical	13.0 W
Voltage	120 V
Line Frequency	50-60 Hz

Power Factor	0.7 -
Lamp Current mA	151 mA
Dimmable	Yes
Starting Time	0.5 (max) s

• Product Dimensions

Overall Length C	112 mm
Diameter D	92 mm

• Product Data

Product number	420802
Full product name	13PAR30L/END/F25 3000 DIM SM 6/1
Short product name	13PAR30L/END/F25 3000 DIM SM 6/1
Pieces per Sku	1
eop_pck_cfg	6
Skus/Case	6
Bar code on pack	46677420802
Bar code on case	50046677420807
Logistics code(s)	929000224404
eop_net_weight_pp	0.240 kg

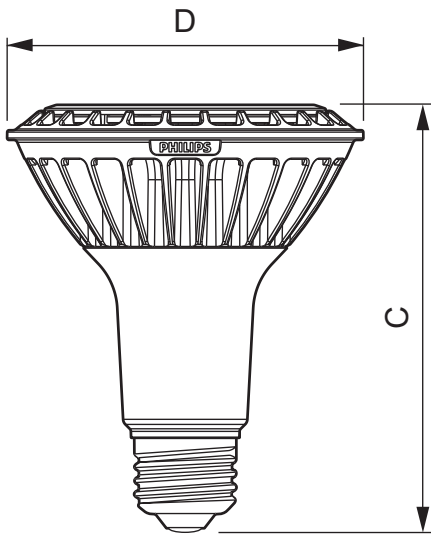
Dimensional drawing



PHILIPS
sense and simplicity

PAR30 LED with AirFlux Technology

Dimensional drawing



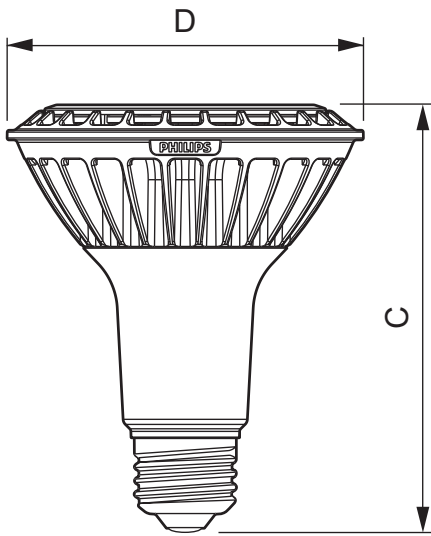
E26

13PAR30L/END/F25 3000 DIM SM 6/1

Product	C (Norm)	D (Norm)
LED 13W E26 WH 3000K 120V PAR30L 25D	112	92

PAR30 LED with AirFlux Technology

Dimensional drawing



E26

13PAR30L/END/F25 3000 DIM SM 6/1

Product	C (Norm)	D (Norm)
LED 13W E26 WH 3000K 120V PAR30L 25D	112	92