

# MR-16 LED - 3.8 watt - 212 lumens

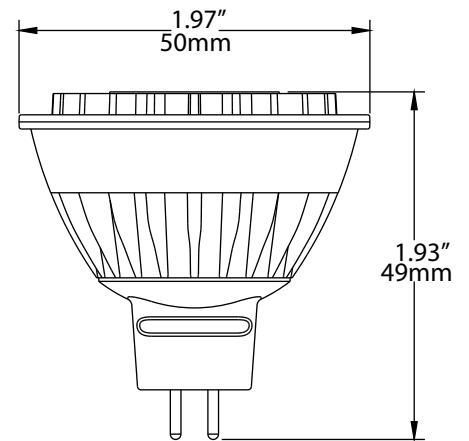
(replaces 20 watt halogen)

## Description:

The MR-16 3.8 watt LED lamp is designed to fit into standard low voltage MR-16 fixtures and thermally engineered to operate in enclosed fixtures.

## Specifications/Features:

- Engineered for Landscape Lighting Fixtures
- AC/DC 8-18VOLTS
- 212 Lumen
- Kelvin Temperature: 2700 Warm White
- CRI: 84
- CREE XP-E Chipset
- 50,000 Hour Lamp Life
- Fully potted PC Board
- Dimmable (with most magnetic transformers)
- 5-Year Warranty



### Part Number

**MR16 XX XX**

- ◊ WW = Warm White
- ◊ CW = Cool White
- ◊ RED = Red
- ◊ GREEN = Green
- ◊ BLUE = Blue
- ◊ AMBER = Amber

Color

Beamspread

- 15 = 15 degree
- 30 = 30 degree
- 60 = 60 degree

MR-16 3.8watt 15degree (SPOT) Candle Power 760		
2ft	5"	190FC
4ft	11"	47.5
6ft	14"	21
8ft	1'9"	11.9
10ft	2'3"	7.6
12ft	2'8"	5.3
14ft	3'2"	3.9
16ft	3'7"	3.0
18ft	4'1"	2.3
20ft	4'6"	1.9

MR-16 3.8watt 30degree (FLD) Candle Power 540		
2ft	1'6"	135FC
4ft	3'	33.8
6ft	4'7"	15
8ft	6'1"	8.4
10ft	7'8"	5.4
12ft	9'2"	3.8
14ft	10'9"	2.8
16ft	12'3"	2.1
18ft	13'9"	1.7
20ft	15'4"	1.4

MR-16 3.8watt 60degree (WFL) Candle Power 336		
2ft	2'6"	84FC
4ft	4'8"	21
6ft	7'	9.3
8ft	9'4"	5.25
10ft	11'7"	3.4
12ft	13'11"	2.3
14ft	16'2"	1.7
16ft	18'6"	1.3
18ft	20'9"	1.0
20ft	23'1"	0.84