

Lighting Components

Button Control

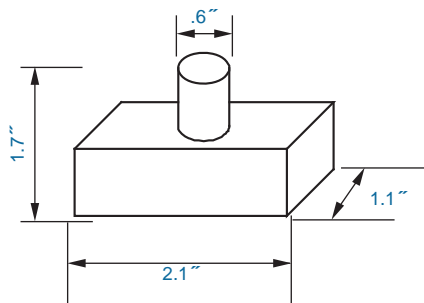
Catalog #	Type	Voltage	Rating	Leads
PC1	Button	110-130V	120VAC	12" AWG#18 AWM1015
PC2	Button	208-277V	240VAC	12" AWG#18 AWM1015



PC1
PC2



- Control Passage & Doorway Lighting Automatically For Ambient Lighting
- Rain Tight For Outdoor Use
- 12" Leads
- Thermal Switch
- Polycarbonate Enclosure & Eye
- 1/2" CdS Photocell
- 3/8" - 19 Thread Nipple with Rubber Gasket & Plastic Lock-Nut
- **On-Off Levels:** 10-20Lx On(Dusk); 30-60Lx Off(Dawn)
- **Ambient Temp:** -40°F ~ +158°F
- **Relative Humidity:** 96%
- **Power Consumption:** 1.5VA Max.
- **Electrical Life:** 6500 Cycles
- **Ballast:** 850VA
- **Tungsten:** 500w



PC1
PC12

DIMENSIONS