

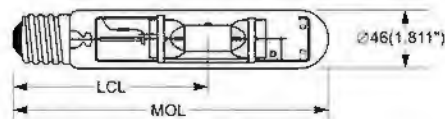
### STANDARD METAL HALIDE LAMPS

Long Life, High Efficacy, White Light 60-70 Color Rendering Index  
Enclosed Fixtures

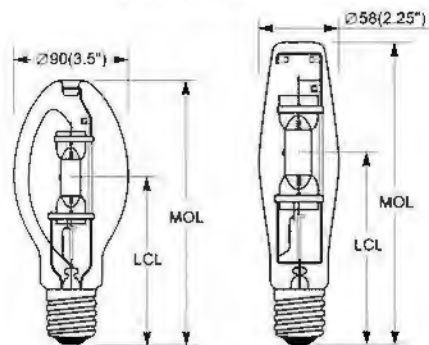
HIGH INTENSITY DISCHARGE LAMPS

Watts	Bulb	Item#	Description	ANSI	Lumens		Dimensions		Color		Case			
					Initial (lm)	Mean (lm)	MOL (in)	LCL (in)	Avg.Life (Hours)	Temp (K)	CRI	Finish	Qty.	Manufacture Production Code
<b>Metal Halide Lamps - Mogul Screw Base</b>														
50	ED28	1010	MH50/ED28/U/4K	M110/E	3400	2000	8.31	5.00	10000V/7500H	4200	60	Clear	12	M00509181402
70	ED28	1011	MH70/ED28/U/4K	M98/E	5600	4760	8.31	5.00	15000V/11250H	4200	65	Clear	12	M00709181402
*70	ED28	1073	MH70/ED28/C/U/4K	M98/E	4950	4200	8.31	5.00	15000V/11250H	4000	70	Coated	12	M00709182402
100	ED28	1012	MH100/ED28/U/4K	M90/E	8500	7500	8.31	5.00	15000V/11250H	4200	65	Clear	12	M01009181402
*100	ED28	1074	MH100/ED28/C/U/4K	M90/E	8000	7100	8.31	5.00	15000V/11250H	4000	70	Coated	12	M01009182402
150	ED28	1013	MH150/ED28/U/4K	M102/E	12000	10000	8.31	5.00	15000V/11250H	4200	65	Clear	12	M01509181402
*150	ED28	1075	MH150/ED28/C/U/4K	M102/E	11000	9000	8.31	5.00	15000V/11250H	4000	70	Coated	12	M01509182402
*150	ED28	1145	MS150/ED28/ES/U/4K	M107/E M57/E	13000	7500	8.31	5.00	10000	4200	65	Clear	12	M01509181402
175	ED28	1014	MH175/ED28/U/4K	M57/E	13600V/11700H	9300	8.31	5.00	10000V/7500H	4200	65	Clear	12	M01759181402
175	ED28	1015	MH175/ED28/C/U/4K	M57/E	14000V/12000H	8100	8.31	5.00	10000V/7500H	3800	70	Coated	12	M01759182402
175	T15	1016	MH175/T15/HOR/4K	M57/E	12800	9300	8.31	5.00	7500	4200	65	Clear	24	M01759351402
250	ED28	1017	MH250/ED28/U/4K	M58/E	22000V/20000H	17000V/13700H	8.31	5.00	10000	4200	65	Clear	12	M02509181402
250	ED28	1018	MH250/ED28/C/U/4K	M58/E	21500V/19500H	17000V/13000H	8.31	5.00	10000	3800	70	Coated	12	M02509182402
250	T15	1019	MH250/T15/HOR/4K	M58/E	20000	14100	8.31	5.00	10000	4200	65	Clear	24	M02509351402
250	ET18	1020	MH250/ET18/HOR/4K	M58/E	20000	13500	9.65	5.70	10000	4000	65	Clear	24	M02509111402
360	ED37	1021	MS360/ED37/ES/U/4K	M59/E M165S	36000	23500	11.50	7.00	20000	4200	65	Clear	12	M03609171402
400	ED28	1022	MH400/ED28/U/4K	M59/E	36000V/32000H	23500V/20500H	8.31	5.00	20000V/15000H	4200	65	Clear	12	M04009181402
400	ED28	1023	MH400/ED28/C/U/4K	M59/E	36000V/32000H	23500V/20500H	8.31	5.00	20000V/15000H	3800	70	Coated	12	M04009182402
400	ED37	1024	MH400/ED37/U/4K	M59/E	36000V/32000H	23500V/20500H	11.50	7.00	20000V/15000H	4200	65	Clear	12	M04009171402
400	ED37	1025	MH400/ED37/C/U/4K	M59/E	36000V/32000H	23500V/20500H	11.50	7.00	20000V/15000H	3800	70	Coated	12	M04009172402
400	T15	1026	MH400/T15/HOR/4K	M59/E	33000	21500	9.75	5.75	15000	4200	65	Clear	24	M04009351402
400	ET18	1027	MH400/ET18/HOR/4K	M59/E	33000	21500	9.65	5.70	15000	4200	65	Clear	24	M04009111402
*950	BT56	1147	MS950/BT56/ES/U/4K	M47/E M176E	100000	80000	15.38	9.50	18000	4200	65	Clear	6	M09509261402
1000	BT37	1028	MH1000/BT37/U/4K	M47/E	110000V/107800H	93500V/86300H	11.50	7.00	15000V/9000H	4200	65	Clear	12	M10009271402
1000	BT56	1029	MH1000/BT56/U/4K	M47/E	110000V/107800H	93500V/86300H	15.38	9.50	18000V/12000H	4200	65	Clear	6	M10009261402
*1000	BT56	1076	MH1000/BT56/C/U/4K	M47/E	107000V/101600H	80000	15.38	9.50	18000V/12000H	3900	70	Coated	6	M10009262402
1500	BT56	1030	MH1500/BT56/U/4K	M48/E	167000V/155000H	140000V/127400H	15.38	9.50	3000	4200	65	Clear	6	M15009261402

\* Items only available for special orders

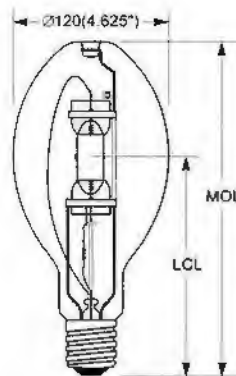


T15  
E39 Base

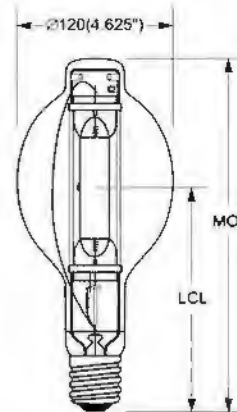


ED28  
E39 Base

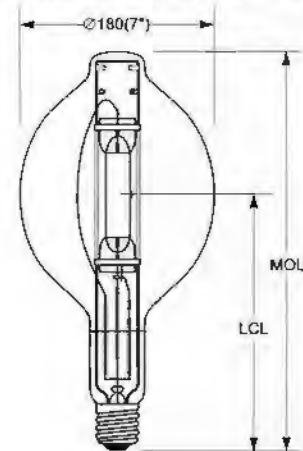
ET18  
E39 Base



ED37  
E39 Base



BT37  
E39 Base



BT56  
E39 Base

All measurements are shown in inches unless noted  
Manage in Accordance with Disposal Laws  
See [www.htr-group.com](http://www.htr-group.com) or 1-888-537-4874  
See page 18/19/20 for safety handling and warning purposes