

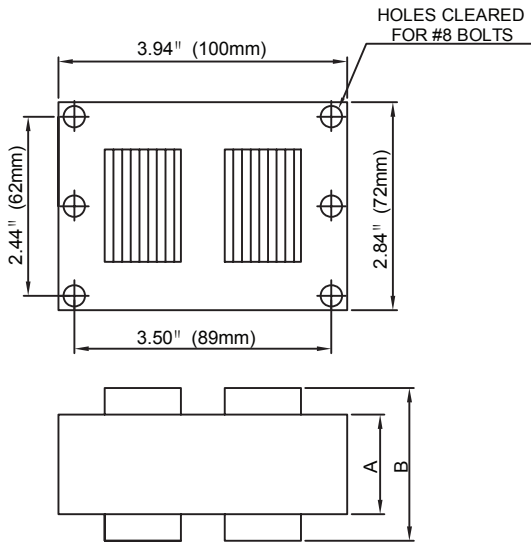
Plusrite®

CATALOG NUMBER: BAMH175-CWA/V4

175W M57

Metal Halide Lamp Ballast
60 Hz CWA

3X4 CORE.WMF

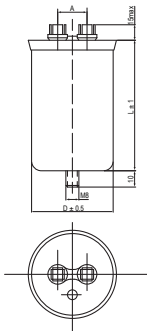


Input Volts		120	208	240	277
Circuit Type	CWA				
REGULATION					
Line Volts	±10%				
Lamp Watts	±10%				
LINE CURRENT(Amps)					
Operating		1.85	1.10	0.90	0.80
Open Circuit		1.45	0.90	0.75	0.70
Starting		1.40	0.80	0.70	0.65
RECOMMENDED FUSE (Amps)					
		5	3	3	3
TEMPERATURE RATINGS					
Insulation Class	180 (H)				
Coil Temperature Code		B	C	C	B
Benchtop Coil Rise		77.8	80.0	81.3	76.1
Power Factor (Min)	90%				
Input Watts	215 W				
Efficiency					
NOM. OPEN CIRCUIT VOLTAGE	320				
INPUT VOLTAGE AT LAMP DROPOUT		55	90	95	120
MIN AMBIENT STARTING TEMP	-20°F/-30°C				
60 HZ TEST PROCEDURES					
High Potential Test (Volts)					
1 Minute		1,650 V			
1 Second		2,000 V			
Open Circuit Voltage Test (V)		290 - 360			
Short Circuit Current Test (A)					
Secondary Current	Min	1.55			
	Max	1.95			
Input Current	Min	1.05	0.60	0.50	0.45
	Max	1.65	0.95	0.85	0.70
CORE and COIL Specifications					
Dimension A (in)		2.40			
Dimension B (in)		3.80			
Weight (lbs)		7.0			
Lead Lengths (in)		12			
CAPACITOR REQUIREMENT					
Microfarads		10.0 uf			
Volts (Min)		400 V			

Capacitor:

Microfarads: 10.0 uf
Volts (Max): 400 V
Case Temp(Max): 100°C
D: 1.65 in
L: 2.95 in
A: 0.63 in

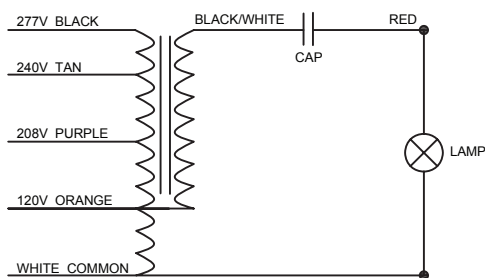
Ignitor: None



No Ignitor Needed

Wiring Diagram:

cRU[®] US RoHS



ORDERING INFORMATION

The ballast is prewired and comes with a kit including capacitor and bracket.

Data is based upon tests performed by Plusrite in a controlled environment and is representative of relative performance. Actual performance can vary depending on operating conditions. Specifications are subject to change without notice.

Coil material: Cu/Al