

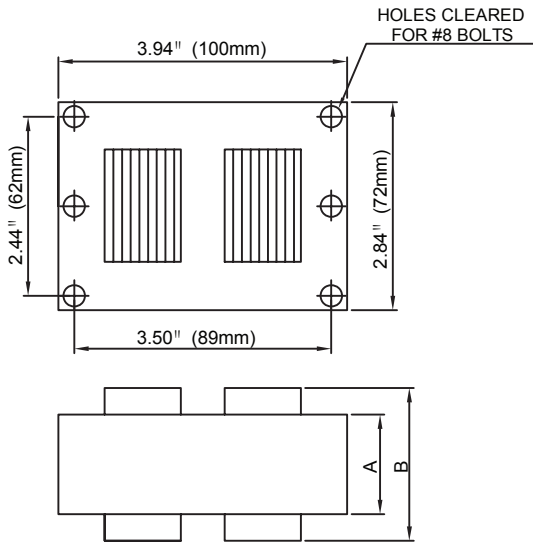


CATALOG NUMBER: BALU100-HX/V4

100W S54

**High Pressure Sodium Lamp Ballast
60 Hz HX-HPF**

3X4CORE - HX,CWA & CWI UNITS



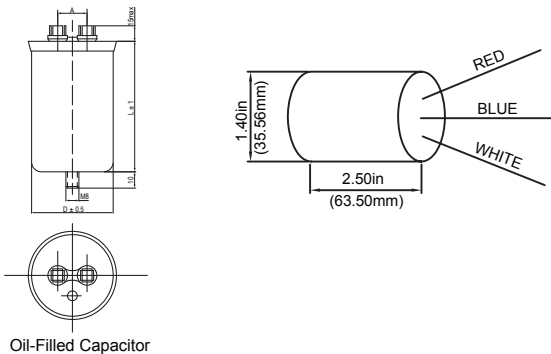
Input Volts		120	208	240	277
Circuit Type	HX-HPF				
REGULATION					
Line Volts	±5%				
Lamp Watts	±10%				
LINE CURRENT(Amps)					
Operating		1.10	0.60	0.55	0.45
Open Circuit		2.10	1.20	1.05	0.90
Starting		0.90	0.55	0.45	0.40
RECOMMENDED FUSE (Amps)					
		6	3	3	3
TEMPERATURE RATINGS					
Insulation Class		H	H	H	H
Coil Temperature Code		A	A	A	A
Benchtop Coil Rise					
Power Factor (Min)	90%				
Input Watts	126 W				
Current Crest Factor	1.50				
NOM. OPEN CIRCUIT VOLTAGE					
	130				
INPUT VOLTAGE AT LAMP DROPOUT					
		90	160	180	210
MIN AMBIENT STARTING TEMP					
	-20°F/-30°C				
60 HZ TEST PROCEDURES					
High Potential Test (Volts)					
1 Minute	2,000 V				
1 Second	2,500 V				
Open Circuit Voltage Test (V)					
	115 - 145				
Short Circuit Current Test (A)					
		Min	2.50		
		Max	2.80		
		Min	0.70	0.40	0.35
		Max	1.00	0.60	0.50
				0.50	0.45
CORE and COIL Specifications					
Dimension A (in)	2.00				
Dimension B (in)	3.45				
Weight (lbs)	5.9				
Lead Lengths (in)	12				
CAPACITOR REQUIREMENT					
Microfarads	10.0 uf				
Volts (Min)	280 V				

Capacitor:

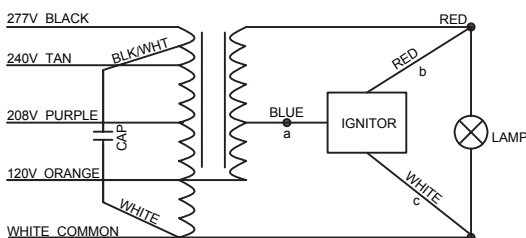
Microfarads: 10.0 uf
 Volts (Max): 330 V
 Case Temp(Max): 100°C
 D: 1.65 in
 L: 2.56 in
 A: 0.63 in

Ignitor:

Temp: 105 °C
 BTL : 2 ft



Wiring Diagram:



ORDERING INFORMATION

The ballast is prewired comes with a kit including capacitor, ignitor and bracket.

Data is based upon tests performed by Plusrite in a controlled environment and is representative of relative performance. Actual performance can vary depending on operating conditions. Specifications are subject to change without notice.

Coil material: Cu/Al