

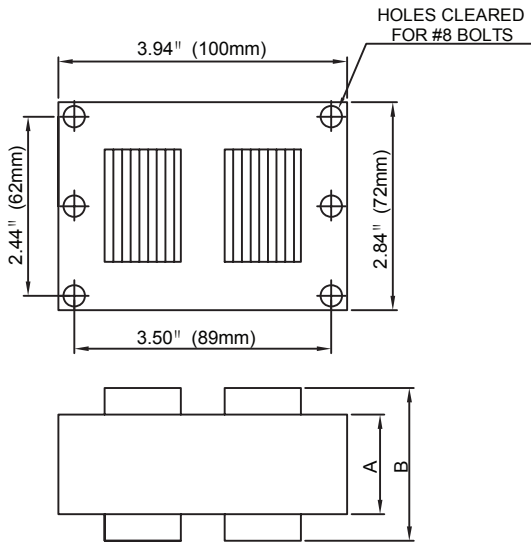


CATALOG NUMBER: BALU150-HX/V4

150W S55

**High Pressure Sodium Lamp Ballast
60 Hz HX-HPF**

3X4CORE-HX,CWA&CWIUNITS



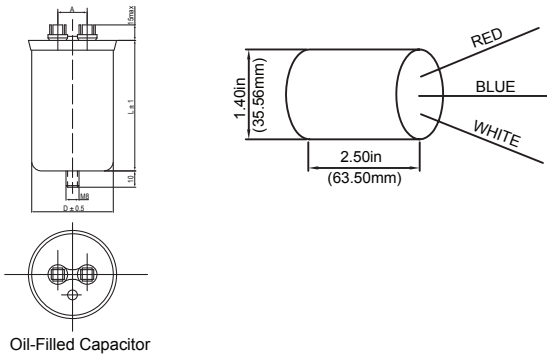
Input Volts		120	208	240	277
Circuit Type	HX-HPF				
REGULATION					
Line Volts	±5%				
Lamp Watts	±10%				
LINE CURRENT(Amps)					
Operating		1.60	0.85	0.80	0.70
Open Circuit		2.80	1.60	1.40	1.25
Starting		1.60	0.85	0.80	0.70
RECOMMENDED FUSE (Amps)					
		7	4	4	4
TEMPERATURE RATINGS					
Insulation Class		H	H	H	H
Coil Temperature Code		D	B	C	C
Benchtop Coil Rise		86.3	79.6	83.9	83.5
Power Factor (Min)	90%				
Input Watts	188 W				
Current Crest Factor	1.50				
NOM. OPEN CIRCUIT VOLTAGE					
	120				
INPUT VOLTAGE AT LAMP DROPOUT					
		95	180	190	225
MIN AMBIENT STARTING TEMP					
	-40°F/-40°C				
60 HZ TEST PROCEDURES					
High Potential Test (Volts)					
1 Minute	2,000 V				
1 Second	2,500 V				
Open Circuit Voltage Test (V)					
	105 - 135				
Short Circuit Current Test (A)					
Secondary Current		Min	3.80		
		Max	4.70		
Input Current		Min	1.20	0.65	0.60
		Max	1.85	1.00	0.95
CORE and COIL Specifications					
Dimension A (in)	2.50				
Dimension B (in)	3.80				
Weight (lbs)	7.4				
Lead Lengths (in)	12				
CAPACITOR REQUIREMENT					
Microfarads	14.0 uf				
Volts (Min)	280 V				

Capacitor:

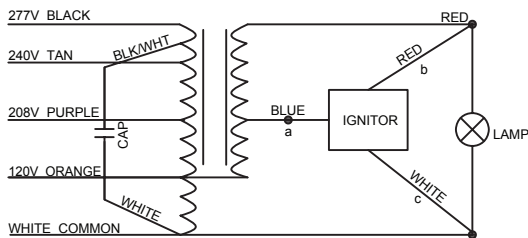
Microfarads: 14.0 uf
 Volts (Max): 330 V
 Case Temp(Max): 100°C
 D: 1.65 in
 L: 2.56 in
 A: 0.63 in

Ignitor:

Temp: 105 °C
 BTL : 2 ft



Wiring Diagram:



ORDERING INFORMATION

The ballast is prewired comes with a kit including capacitor, ignitor and bracket.

Data is based upon tests performed by Plusrite in a controlled environment and is representative of relative performance. Actual performance can vary depending on operating conditions. Specifications are subject to change without notice.

Coil material: Cu/Al