



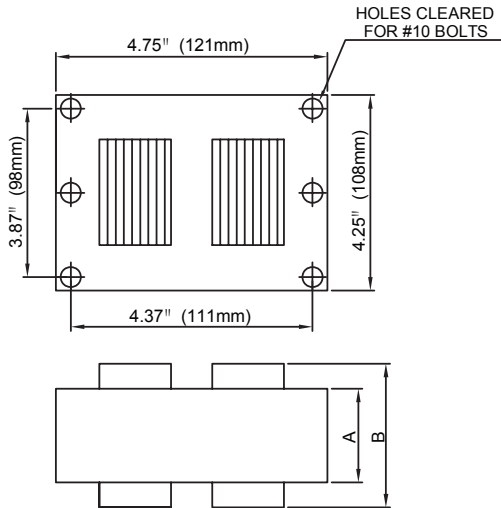
CATALOG NUMBER: BAMH250-CWA/V5

250W M58

Metal Halide Lamp Ballast

60 Hz CWA

4X4 CORE.WMF

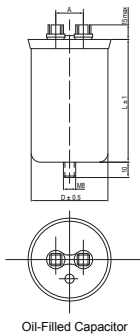


Input Volts		120	208	240	277	480
Circuit Type	CWA					
REGULATION						
Line Volts	±10%					
Lamp Watts	±8%					
LINE CURRENT(Amps)						
Operating		2.60	1.50	1.30	1.15	0.65
Open Circuit		2.50	1.45	1.30	1.10	0.50
Starting		1.85	1.10	0.90	0.80	0.60
RECOMMENDED FUSE (Amps)						
		7	4	4	3	2
TEMPERATURE RATINGS						
Insulation Class	180 (H)					
Coil Temperature Code	A					
Benchtop Coil Rise		69.9	74.1	73.0	72.7	72.7
Power Factor (Min)	90%					
Input Watts	290 W					
Efficiency						
NOM. OPEN CIRCUIT VOLTAGE	305					
INPUT VOLTAGE AT LAMP DROPOUT		45	70	85	95	240
MIN AMBIENT STARTING TEMP	-20°F/-30°C					
60 HZ TEST PROCEDURES						
High Potential Test (Volts)						
1 Minute	1,650 V					
1 Second	2,000 V					
Open Circuit Voltage Test (V)	275 - 340					
Short Circuit Current Test (A)						
Secondary Current	Min 2.20 Max 2.70					
Input Current	Min 2.05 Max 2.05	1.30	0.80	0.70	0.60	0.45
		1.25	1.05	0.95	0.75	
CORE and COIL Specifications						
Dimension A (in)	2.00					
Dimension B (in)	3.58					
Weight (lbs)	8.3					
Lead Lengths (in)	12					
CAPACITOR REQUIREMENT						
Microfarads	15.0 uf					
Volts (Min)	400 V					

Capacitor:

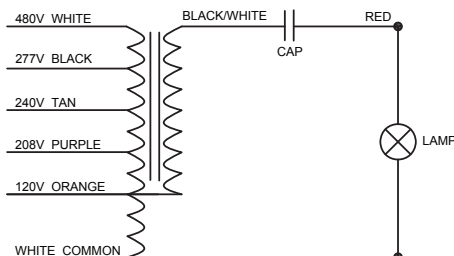
Microfarads: 15.0 uf
 Volts (Max): 400 V
 Case Temp(Max): 100°C
 D: 1.65 in
 L: 2.95 in
 A: 0.63 in

Ignitor: None



No Ignitor Needed

Wiring Diagram:



ORDERING INFORMATION

The ballast is prewired and comes with a kit including capacitor and bracket.

Data is based upon tests performed by Plusrite in a controlled environment and is representative of relative performance. Actual performance can vary depending on operating conditions. Specifications are subject to change without notice.

Coil material: Cu/Al