

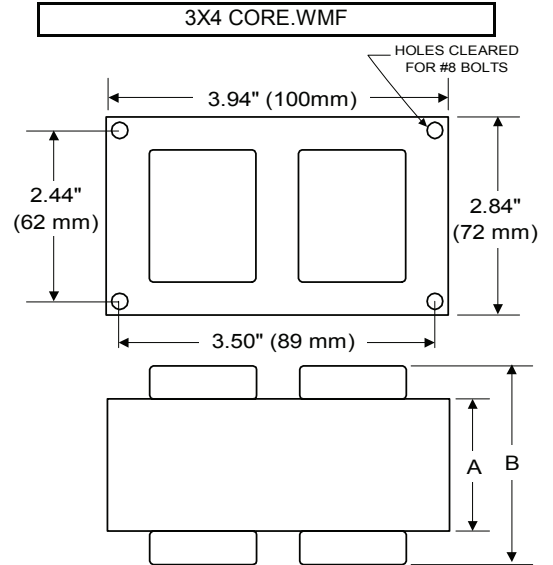


Precision Lamp & Transformer

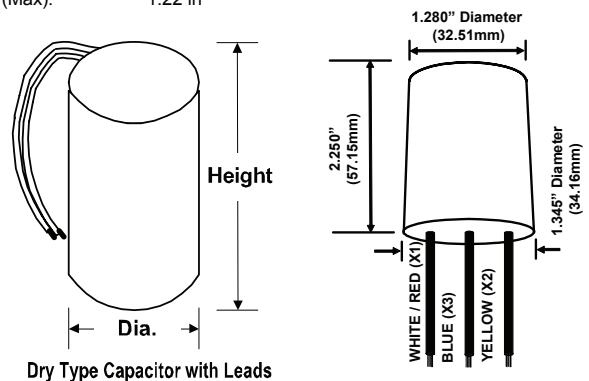
BALLAST SPECIFICATION

50W M110
Pulse Start Metal Halide
50PX2TK
60 Hz HX-HPF

Input Volts	120	277
Line Current (Amps)		
Operating	0.60	0.25
Open Circuit	1.20	0.50
Starting	0.60	0.25
Recommended Fuse (Amps)	3	2
Regulation		
Line Volts	±5%	±5%
Lamp Watts	±10%	±10%
Temperature Ratings		
Insulation Class	180 (H)	180 (H)
Coil Temperature Code	A	A
Benchtop Coil Rise	66.6	70.7
Power Factor (Min)	90%	90%
Input Watts	68 W	68 W
Efficiency		
NOM. Open Circuit Voltage	265	265
Input Voltage At Lamp Dropout	85	195
Min Ambient Starting Temp	-20°F/-30°C*	-20°F/-30°C*
60 HZ TEST PROCEDURES		
High Potential Test (Volts)		
1 Minute	2,000 V	2,000 V
1 Second	2,500 V	2,500 V
Open Circuit Voltage Test (V)	235 - 295	235 - 295
Short Circuit Current Test (A)		
Secondary Current	Min .65 Max .85	Min .65 Max .85
Input Current	Min 0.40 Max 0.75	Min 0.15 Max 0.35
CORE and COIL Specifications		
Dimension (A)	1.05 in	1.05 in
Dimension (B)	2.10 in	2.10 in
Weight	3.5 lb's	3.5 lb's
Lead Lengths	12 "	12 "
Capacitor Requirement		
Microfarads	6.0 uf	6.0 uf
Volts (Min)	280 V	280 V



Capacitor:	ACG033	Ignitor:	BVS-032
Microfarads:	6.0 uf	Case Temp (Max):	105 °C
Volts (Max):	330 V	BTL Distance (Max):	2 ft
Case Temp (Max):	100 °C		
Height (Max):	2.76 in		
Dia (Max):	1.22 in		



Ordering Information Add Suffix for options

- C - With Capacitor
- K - Prewired, with Capacitor and Bracket Kit
- B - With Welded Bracket, no cap
- CB - With Capacitor and Welded Bracket

* -40°F/-40°C Min Ambient Starting Temp
 Coil material: primary Cu and secondary Al
 RoHS compliant on all manufactured products after August 1, 2007
 Data is based upon tests performed in a controlled environment and is representative of relative performance. Actual performance can vary depending on operating conditions. Specifications are subject to change without notice.



RoHS

