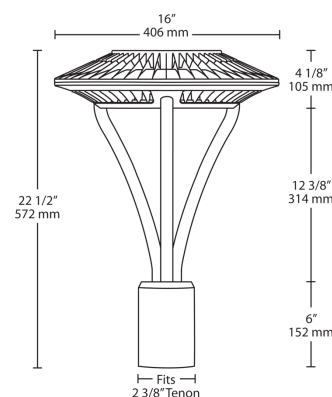


# ALED5T52

High output LED pole top area light with IES type V circular distribution. Wide and uniform 360 degree pattern ideal for large outdoor areas such as parking lots, corporate parks, and retail settings.

Color: Bronze

Weight: 21.8 lbs



## LED Info

Watts: 52W  
 Color Temp: 5000K (Cool)  
 Color Accuracy: 66  
 L70 Lifespan: 100000  
 LM79 Lumens: 3,089  
 Efficacy: 50 LPW

## Driver Info

Type: Constant Current  
 120V: 0.53A  
 208V: 0.35A  
 240V: 0.30A  
 277V: 0.26A  
 Input Watts: 61W  
 Efficiency: 85%

## Technical Specifications

### UL Listing:

Suitable for wet locations

### LEDs:

4x13W high-output, long-life LEDs

### Lumen Maintenance:

100,000-hour LED lifespan based on IES LM-80 results and TM-21 calculations

### Drivers (2):

Constant Current, 720mA, Class 2 with 6 KV surge protection, 100-277VAC, 50/60 Hz

### Input Watts:

61W

### Output Lumens:

3,089

### Lumens per Watt:

50 lumens per watt

### Color Accuracy (CRI):

66 CRI

### Correlated Color Temp. (Nominal CCT):

5100K

### Cold Weather Starting:

Minimum starting temperature is -40&deg;F / -40&deg;C

### Ambient Temperature:

Suitable for use in 40&deg;C (104&deg;F) ambient temperatures

### Effective Projected Area:

EPA = 1.2.

### Thermal Management:

Superior heat sinking with external air-flow fins

### Housing:

Precision die-cast aluminum, Type V distribution

### Support Arms:

Extruded aluminum

### Lens:

Clear tempered glass lens

### Reflector:

Semi-specular anodized aluminum, Type V distribution

### Gaskets:

High-temperature silicone

### Finish:

Chip and fade resistant polyester powder coat finish

### Color Stability:

RAB LED performance exceeds industry standards for chromatic stability

### Color Uniformity:

RAB's range of CCT (Correlated Color Temperature) follows the guidelines of the American National Standard for Specifications for the Chromaticity of Solid State Lighting (SSL) Products, ANSI C78.377-2011

### Green Technology:

Mercury and UV free, and RoHS compliant

### IESNA LM-79 & LM-80 Testing:

RAB LED luminaires have been tested by an independent laboratory in accordance with IESNA LM-79 and LM-80, and have received the Department of Energy "Lighting Facts" label



ALED5T52 - continued

**Patents:**

The designs of the ALED5T52 are protected by patents pending in US, Canada, China, Taiwan and Mexico

**Country of Origin:**

Designed by RAB in New Jersey and assembled in the USA by RAB's IBEW Local 3 workers.

**Buy American Act Compliant:**

This product is a COTS item manufactured in the United States, and is compliant with the Buy American Act.

**Recovery Act (ARRA) Compliant:**

This product complies with the 52.225-21 "Required Use of American Iron, Steel, and Manufactured Goods-- Buy American Act-- Construction Materials (October 2010)

**Trade Agreements Act Compliant:**

This product is a COTS item manufactured in the United States, and is compliant with the Trade Agreements Act.

**GSA Schedule:**

Suitable in accordance with FAR Subpart 25.4

