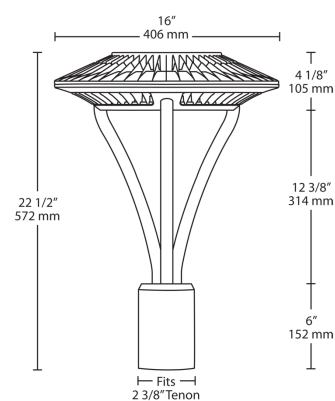


ALED5T78W

High output LED pole top area light with IES type V circular distribution. Wide and uniform 360 degree pattern ideal for large outdoor areas such as parking lots, corporate parks, and retail settings.

Color: White

Weight: 21.8 lbs



LED Info

Watts: 78W
 Color Temp: 5000K (Cool)
 Color Accuracy: 66
 L70 Lifespan: 100000
 LM79 Lumens: 4,724
 Efficacy: 52 LPW

Driver Info

Type: Constant Current
 120V: 0.78A
 208V: 0.51A
 240V: 0.45A
 277V: 0.39A
 Input Watts: 92W
 Efficiency: 85%

Technical Specifications

UL Listing:

Suitable for wet locations

LEDs:

6x13W high-output, long-life LEDs

Lumen Maintenance:

100,000-hour LED lifespan based on IES LM-80 results and TM-21 calculations

IP Rating:

Ingress Protection rating of IP66 for dust and water

Drivers (3):

Constant Current, 720mA, Class 2 with 6 KV surge protection, 100-277VAC, 50/60 Hz

Input Watts:

92W

Output Lumens:

4,724

Lumens per Watt:

52 lumens per watt

Color Accuracy (CRI):

66 CRI

Correlated Color Temp. (Nominal CCT):

5100K

Cold Weather Starting:

Minimum starting temperature is -40°F / -40°C

Ambient Temperature:

Suitable for use in 40°C (104°F) ambient temperatures

Effective Projected Area:

EPA = 1.2.

Thermal Management:

Superior heat sinking with external air-flow fins

Housing:

Precision die-cast aluminum, Type V distribution

Support Arms:

Extruded aluminum

Lens:

Clear tempered glass lens

Reflector:

Semi-specular anodized aluminum, Type V distribution

Gaskets:

High-temperature silicone

Finish:

Chip and fade resistant polyester powder coat finish

Color Stability:

RAB LED performance exceeds industry standards for chromatic stability

Color Uniformity:

RAB's range of CCT (Correlated Color Temperature) follows the guidelines of the American National Standard for Specifications for the Chromaticity of Solid State Lighting (SSL) Products, ANSI C78.377-2011

Green Technology:

Mercury and UV free, and RoHS compliant



ALED5T78W - continued

IESNA LM-79 & LM-80 Testing:

RAB LED luminaires have been tested by an independent laboratory in accordance with IESNA LM-79 and LM-80, and have received the Department of Energy "Lighting Facts" label

Patents:

The designs of the ALED5T52 are protected by patents pending in US, Canada, China, Taiwan and Mexico

