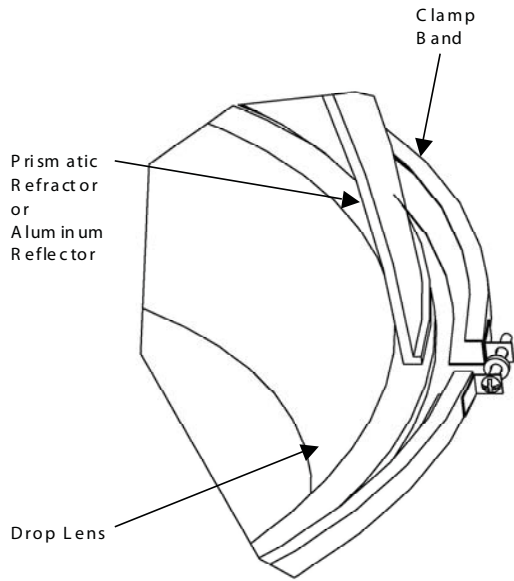


DL16  
DL22

### Drop Lens for Low Bay



Applies to CAT #...

BLH250AW 16DL	BLH400AW 16DL
BLH250AW 22DL	BLH400AW 22DL
BLH250P 16DL	BLH400P 22DL

- **Clamp Bands**, CB16 or CB22, are required for mounting the **Drop Lens** to the reflector or refractor.
- Lamps should be installed prior to this step.
- Loosen screw from one side of the clip on the **Clamp Band**.
- Stretch over **Drop Lens** and **Reflector** or **Refractor** as shown with the wider side down holding the drop lens.
- Tighten screw securing assembly.

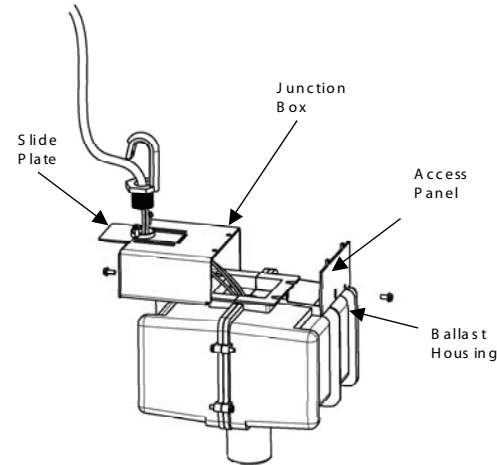


## HIGH/LOW BAY INSTALLATION INSTRUCTIONS

### HIGH/LOW BAY INSTALLATION INSTRUCTIONS

#### H400H Ballast Housing Mounting and Wiring

#### H250H



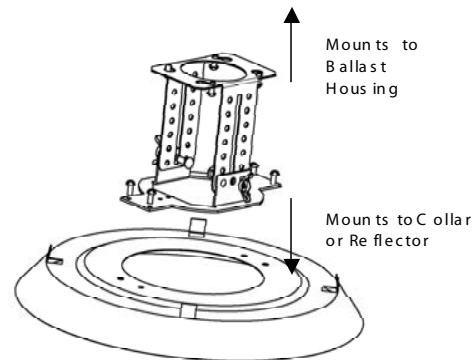
- A Quad tap ballast 120/208/240/277V is supplied and factory wired for 277V. To change input voltage remove the **Access Panel** screw and open the **Junction Box**. Rewire to change the tap to the desired voltage and cap any unused ballast tap to prevent short circuit.
- Slide hook over cord and secure to the Junction Box.
- For High Bay fixtures, mount the High Bay Bracket (BBH) before hanging fixtures. See instructions below.

- Mount **Ballast Housing** with hook to sturdy ceiling structure.
- Wire cord to supply wires.
- Tighten screw on hook to secure fixture.
- If necessary adjust the **Slide Plate** to balance the fixture.

#### BBH High Bay Bracket Mounting

Applies to CAT #...

BHH 250 A 16	BHH 400 A 16
BHH 250 A 22	BHH 400 A 22
BHH 250 P 16	BHH 400 P 22



- Before mounting **Ballast Housing** to ceiling, mount the **Bracket** to the **Ballast Housing** with 4 of the 8 screws provided.
- The remaining screws are used to mount the **Bracket** to the Aluminum Reflector (see A16 A22 section) or Collar for the Prismatic Refractor (see P16 P22 section).

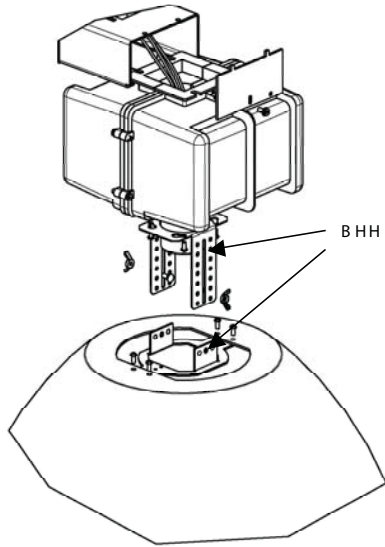
©RAB Lighting, Inc.  
170 Ludlow Avenue Northvale, NJ 07647 USA

09/06



**rabweb.com** Visit our website for product info  
**E-mail** Answered promptly sales@rabweb.com  
**Toll Free Fax** Send a fax to RAB 888 RAB-1232  
**Tech Help Line** Call our experts 888 RAB-1000

**A16 Natural Aluminum Reflector for High Bay**  
**A22**

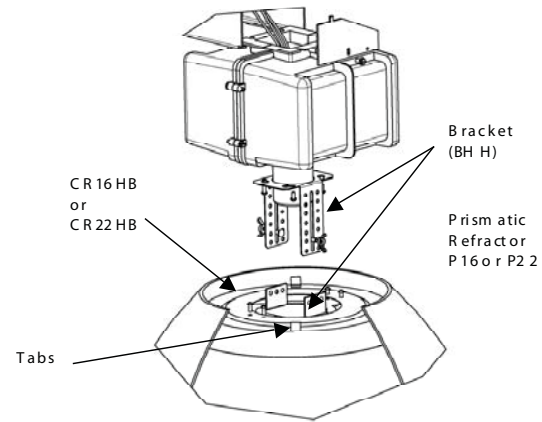


Applies to CAT #...

BHH 250A16	BHH 400A16
BHH 250A22	BHH 400A22

- Reflector mounts to the bottom tabs of the supplied bracket (BBH) with (4) screws provided.
- Loosen the wing nuts and set the bracket at the desired setting. Tighten wing nuts.

**P16 & CR16HB Prismatic Refractor & Collar for High Bay**  
**P22 & CR22HB**

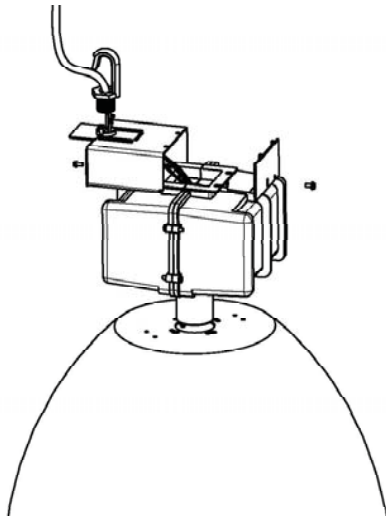


Applies to CAT #...

BHH 250P16	B HH400P22
------------	------------

- CR16HB is required for BHH250P16 and CR22HB is required for BHH400P22 for the mounting of the Prismatic Refractors (P16 & P22).
- Insert the **Collar** through the **Refractor** from the bottom tabs up as shown. The **Collar** should be mounted to the bottom the **Bracket** with the 4 screws provided with the **Bracket** (BH H).
- After mounting the refractor bend over the (4) tabs, securing the **Refractor** to the **Collar**. To adjust the height of the **Refractor**, loosen the wing nuts on the bracket and adjust it to the desired height.

**AW16 White Aluminum Reflector for Low Bay**  
**AW22**

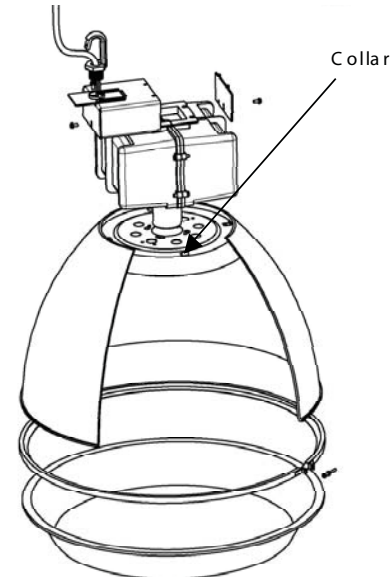


Applies to CAT #...

BHH 250P16	B HH400P22
------------	------------

- **Reflector** mounts directly to **Ballast Housing** with (4) 8-32 x 3/8" screws provided with Ballast Housing.
- After mounting reflector and installing the lamp see the **Drop Lens** instructions on page 4.

**P16 & CR16LB Prismatic Refractor & Collar for Low Bay**  
**P22 & CR22LB**



Applies to CAT #...

BLH250P16DL	B LH400P22DL
-------------	--------------

- Insert **Collar** through **Refractor** from the bottom.
- Mount **Collar** directly to **Ballast Housing** using (4) 8-32 screws provided with the **Ballast Housing**.
- After mounting the **Refractor**, bend over the (4) tabs on the **Collar** to secure **Refractor** to the **Collar**.