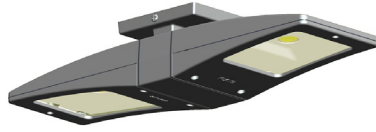


## CLED™ INSTALLATION INSTRUCTIONS



CLED2X10  
CLED2X13



CLED2X20  
CLED2X26

Thank you for buying RAB lighting fixtures. Our goal is to design the best quality products to get the job done right. We'd like to hear your comments. Call the Marketing Department at 888-RAB-1000, or email: [marketing@rabweb.com](mailto:marketing@rabweb.com)

### IMPORTANT

**READ CAREFULLY BEFORE INSTALLING FIXTURE. RETAIN THESE INSTRUCTIONS FOR FUTURE REFERENCE.**

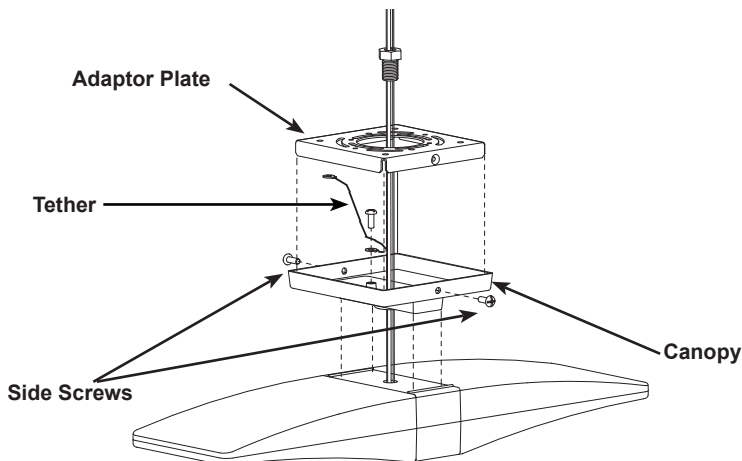
RAB fixtures must be wired in accordance with the National Electrical Code and all applicable local codes. Proper grounding is required for safety. THIS PRODUCT MUST BE INSTALLED IN ACCORDANCE WITH THE APPLICABLE INSTALLATION CODE BY A PERSON FAMILIAR WITH THE CONSTRUCTION AND OPERATION OF THE PRODUCT AND THE HAZARDS INVOLVED.

**WARNING: Make certain power is OFF before installing or maintaining fixture.  
No user servicable parts inside.**

### CLED2X10, CLED2X13

Mount the CLED to a recessed Junction Box as follows:

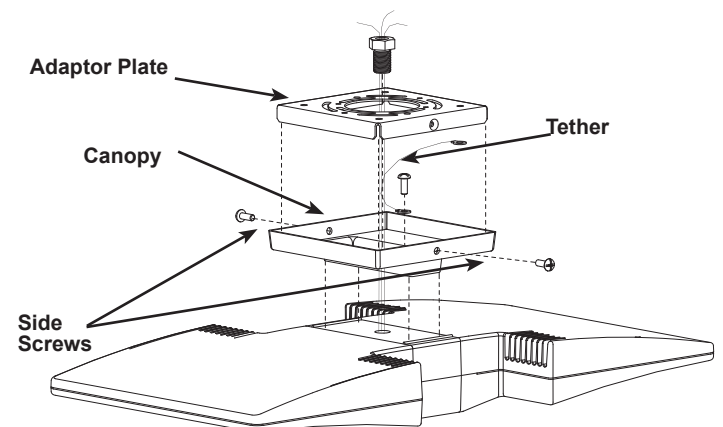
1. Mount the **Adaptor Plate** to **Junction Box** (not supplied) with hardware provided.
2. Attach **Tether** to fixture and **Adaptor Plate** with the screw provided.
3. Wire fixture as shown in the wiring section. Do not use CLED2X10 on 277V circuit.
4. Align the **Canopy** on fixture to **Adaptor Plate** and tighten (2) **Side Screws** through the **Canopy** to the **Adaptor Plate**.



### CLED2X20, CLED2X26

Mount the CLED to a recessed Junction Box as follows:

1. Mount the **Adaptor Plate** to **Junction Box** (not supplied) with hardware provided.
2. Attach **Tether** to fixture and **Adaptor Plate** with the screw provided.
3. Wire fixture as shown in the wiring section.
4. Align the **Canopy** on fixture to **Adaptor Plate** and tighten (2) **Side Screws** through the **Canopy** to the **Adaptor Plate**.

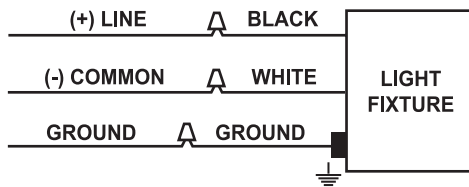


**CLED™ INSTALLATION INSTRUCTIONS****WIRING**

Universal voltage driver permits operation at 50 on 60Hz and the following voltages:

CLED 2X10: 120 Volts - 240 Volts  
CLED 2X13: 120 Volts - 277 Volts  
CLED 2X20: 120 Volts - 277 Volts  
CLED 2X26: 120 Volts - 277 Volts

1. Connect the black fixture lead to the (+) LINE supply lead.
2. Connect the white fixture lead to the (-) COMMON supply lead.
3. Connect the bare copper Ground wire from fixture to supply ground.

**CLEANING & MAINTENANCE**

**CAUTION:** Be sure fixture temperature is cool enough to touch. Do not clean or maintain while fixture is energized.

1. Clean glass lens with non-abrasive glass cleaning solution.
2. Do not open fixture to clean the LED. Do not touch the LED.

**ACCESSORIES**

**GDWPL1P** Polyshield for 10W & 13W  
Order 2 per CLED or "/P" for factory installed

**GDWPL2P.** Polyshield for 20W  
Order 2 per CLED or "/P" for factory installed

No wire guard is available at this time

**OPTIONS**

**Suffix "Y"** = Warm 2800K to 3000K LED  
**Suffix "N"** = Neutral 4000K LED, on 2X13 & 2X26

The design of the CLED is protected by U.S. patent D608,040; D615,689 and patents pending in Canada, China, Taiwan and Mexico.

Note: These instructions do not cover all details or variations in equipment nor do they provide for every possible situation during installation, operation or maintenance.