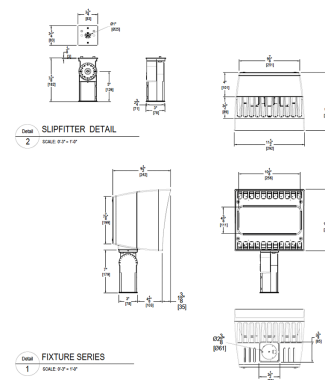


EZLED78SF/PCS

This 78W spotlight combines high lumen output and a concentrated narrow beam distribution to illuminate objects up to 80 feet away with brilliant precision. Ideal for lighting large flags, tall building facades and signage.

Color: Bronze

Weight: 26.6 lbs



LED Info

Watts: 78W
 Color Temp: 5000K (Cool)
 Color Accuracy: 66
 L70 Lifespan: 100000
 LM79 Lumens: 5,765
 Efficacy: 61 LPW

Driver Info

Type: Constant Current
 120V: 0.82A
 208V: N/A
 240V: N/A
 277V: N/A
 Input Watts: 94W
 Efficiency: 83%

Technical Specifications

UL Listing:

Suitable for wet locations. Suitable for mounting within 4 ft. of the ground.

IP Rating:

Ingress Protection rating of IP66 for dust and water.

Photocell:

Swivel Photocell 120V included. Photocell is only compatible with 120V.

Effective Projected Area:

EPA = 1.2.

LEDs:

Three multi-chip, high-output, long-life LEDs.

Lifespan:

100,000-hour LED lifespan based on IES LM-80 results and TM-21 calculations.

Driver:

3x26W drivers Constant current, Class2, 100-277V. 50/60 Hz, 6KV Surge Protection, 720mA, 100-277V 0.4A, THD <20%, Power Factor 99%.

Input Watts:

94.

Output Lumens:

5765.

Fixture Efficacy:

61 Lumens per Watt.

Color Accuracy (CRI):

66 CRI.

Correlated Color Temp. (Nominal CCT):

5000K.

Cold Weather Starting:

Minimum starting temperature is -40°F/-40°C.

Ambient Temperature:

Suitable for use in 40°C (104°F) ambient temperatures.

Thermal Management:

Superior thermal management with external Air-Flow fins.

Housing:

Precision die-cast aluminum housing and door frame.

Mounting:

2 3/8" slipfitter mount with stainless steel hardware.

Lens:

Tempered glass.

Reflector:

Vacuum-metalized, specular thermoplastic.

NEMA Type:

NEMA Beam 3H x 3V.

Gaskets:

High-temperature silicone.

Finish:

Chip and fade resistant polyester powder coat finish.

Color Consistency:

3-step MacAdam Ellipse binning to achieve consistent fixture-to-fixture color.

Color Stability:

LED color temperature is warrantied to shift no more than 200K in CCT over a 5 year period.

RAB
LIGHTING

Tech Help Line: 888 RAB-1000

Email: sales@rabweb.com

On the web at: www.rabweb.com

Copyright ©2013 RAB Lighting, Inc. All Rights Reserved

Note: Specifications are subject to change without notice

Page 1 of 2

EZLED78SF/PCS - continued

Color Uniformity:

RAB's range of CCT (Correlated Color Temperature) follows the guidelines of the American National Standard for Specifications for the Chromaticity of Solid State Lighting (SSL) Products, ANSI C78.377-2011.

Green Technology:

Mercury and UV free, and RoHS compliant.

IESNA LM-79 & LM-80 Testing:

RAB LED luminaires have been tested by an independent laboratory in accordance with IESNA LM-79 and LM-80, and have received the Department of Energy "Lighting Facts" label.

DLC Listed:

This product is on the Design Lights Consortium (DLC) Qualified Products List and is eligible for rebates from DLC Member Utilities.

Patents:

The design of EZLED is protected by patents pending in US, Canada, China, Taiwan and Mexico.

Country of Origin:

Designed by RAB in New Jersey and assembled in the USA by RAB's IBEW Local 3 workers.

Buy American Act Compliant:

This product is a COTS item manufactured in the United States, and is compliant with the Buy American Act.

Recovery Act (ARRA) Compliant:

This product complies with the 52.225-21 "Required Use of American Iron, Steel, and Manufactured Goods-- Buy American Act-- Construction Materials (October 2010).

Trade Agreements Act Compliant:

This product is a COTS item manufactured in the United States, and is compliant with the Trade Agreements Act.

GSA Schedule:

Suitable in accordance with FAR Subpart 25.4.

