



# HH1A



JOB NAME: \_\_\_\_\_

DATE: \_\_\_\_\_

TYPE: \_\_\_\_\_

## DESCRIPTION

Hood with tempered glass lens reduces glare and protects lamp from water and impact damage. Die cast aluminum. Fits H101 and HB101. Can be combined with HG1 Guard.

## SPECIFICATIONS

### Stealth Accessory

Guards also fit RAB's Stealth Bullet and Bell Flood Kits.

### Material

Die cast aluminum

### Lens

Tempered glass lens included

### Patents

RAB sensor and fixture designs are protected under U.S. and International Intellectual Property laws

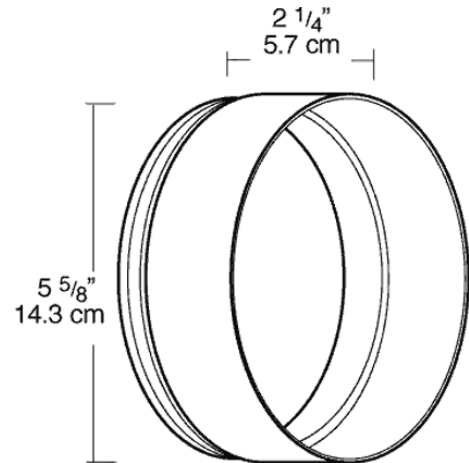
### Color

Bronze

### Weight

0.84

## DIMENSIONS



Note: Specifications may change without notice