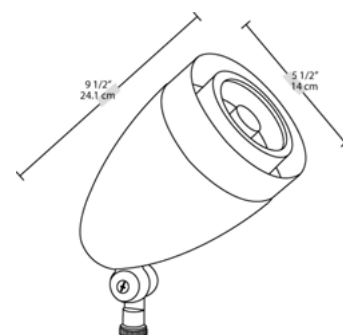


# HSLED13YB

Bullet shape die cast aluminum flood with spotlighting for over 40 feet away. 13 watt LED High Performance Light Engine.

Color: Black

Weight: 3.5 lbs



## LED Info

Watts: 13W  
 Color Temp: 3000K (Warm)  
 Color Accuracy: 87  
 L70 Lifespan: 100000  
 LM79 Lumens: 544  
 Efficacy: 36 LPW

## Driver Info

Type: Constant Current  
 120V: 0.13 A  
 208V: 0.08 A  
 240V: 0.07 A  
 277V: 0.06 A  
 Input Watts: 15W  
 Efficiency: 85%

## Technical Specifications

### UL Listing:

Suitable for wet locations. Suitable for mounting within 4' of the ground.

### Lumen Maintenance:

100,000 hours Life Based on LM-80 Tests.

### Spotlight Distribution:

Beam Angle of 11°; and Field Angle of 24°; enables the HSLED to produce a very narrow spot distribution.

### LEDs:

13 Watt high output, long-life LED.

### Driver:

Constant Current, Class 2, 100-277V, 50-60Hz, 100-240VAC 0.3-0.15A, 277VAC 0.15A

### Fixture Efficacy:

36 Lumens per Watt

### Surge Protection:

4 KV

### NEMA Type:

2H x 2v Beam Spread

### Ambient Temperature:

Suitable for use in 40°C ambient temperatures

### Cold Weather Starting:

The minimum starting temperature is -40°F/-40°C

### Color Stability:

RAB LED products exceed industry standards for chromatic stability.

### Color Accuracy:

87 CRI

### Color Temperature (Nominal CCT):

3000K

### Color Uniformity:

RAB's range of CCT (Correlated Color Temperature) follows the guidelines of the American National Standard for (SSL) Products, ANSI C78.377-2008.

### Thermal Management:

Cast aluminum patent pending Thermal Management system for optimal heat sinking. The HSLED is designed for cool operation, most efficient output and maximum LED life by minimizing LED junction temperature.

### Housing:

Precision die-cast aluminum housing, hood and mounting arm.

### Gaskets:

High Temperature Silicone

### Finish:

Chip and fade resistant polyester powder coat finish.

### Warranty:

RAB LED fixtures give you peace of mind because both the fixture and driver components are backed by RAB's 5 Year Warranty. For more information, .

### Green Technology:

Mercury and UV free, and RoHS compliant.

### California Title 24:

HSLED complies with California Title 24 building and electrical codes.



**IESNA LM-79 & IESNA LM-80 Testing:**

RAB LED luminaires have been tested by an independent laboratory in accordance with IESNA LM-79 and 80, and have received the Department of Energy "Lighting Facts" label.

**Patents:**

The design of the HSLED is protected by Taiwan Patent 01510965 and patents pending in US, Canada, China, and Mexico.

**Country of Origin :**

Designed by RAB in New Jersey and assembled in the USA by RAB's IBEW Local 3 workers.

**Buy American Act Compliant :**

This product is a COTS item manufactured in the United States, and is compliant with the Buy American Act.

**Recovery Act (ARRA) Compliant :**

This product complies with the 52.225-21 "Required Use of American Iron, Steel, and Manufactured Goods-- Buy American Act-- Construction Materials (October 2010)

**Trade Agreements Act Compliant :**

This product is a COTS item manufactured in the United States, and is compliant with the Trade Agreements Act.

**GSA Schedule :**

Suitable in accordance with FAR Subpart 25.4