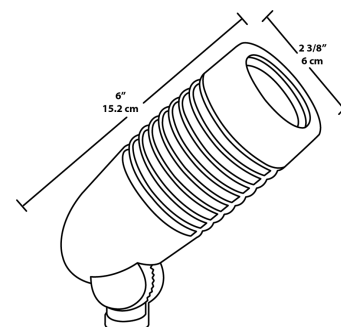


# LFLED5NA

Compact 5 Watt LED floodlight perfectly suited for small-scale landscape lighting applications. 85% more energy efficient than its 35 Watt MR16 equivalent. Specialized microprismatic lens delivers even and consistent light. Utilizes line voltage (120V-240V).

Color: Bronze

Weight: 1.5 lbs



## LED Info

Watts: 5W  
 Color Temp: 4000K (Neutral)  
 Color Accuracy: 90  
 L70 Lifespan: 100000  
 LM79 Lumens: 208  
 Efficacy: 41 LPW

## Driver Info

Type: Constant Current  
 120V: 0.1 A  
 208V: 0.06 A  
 240V: 0.05 A  
 277V: N/A  
 Input Watts: 5W  
 Efficiency: 99%

## Technical Specifications

### UL Listing:

Suitable for wet locations. Suitable for mounting within 4' of the ground.

### Lumen Maintenance:

100,000 hours Life Based on LM-80 Tests.

### Spot Lens:

Optional spot lens enables a tool-less conversion to an 18° NEMA 3x3 spot. Great for accent lighting or grazing buildings for an artistic touch. Spot reflector kit available .

### LED:

5 Watt high output, long-life LED.

### Lens:

Microprismatic diffusion lens for smooth and even light distribution.

### Driver:

Constant Current, Class 2, 100-240V, 50-60Hz, 100-240VAC 0.18A

### Fixture Efficacy:

41 Lumens per Watt

### NEMA Type:

4H x 4V with 44° beam angle

### Cold Weather Starting:

Minimum starting temperature is -40°F/-40°C

### Color Stability:

RAB LED performance exceeds industry standards for chromatic stability.

### Color Accuracy:

90 CRI

### Color Temperature (Nominal CCT):

4000K

### Color Uniformity:

RAB's range of CCT (Correlated Color Temperature) follows the guidelines of the American National Standard for (SSL) Products, ANSI C78.377-2008.

### Thermal Management:

Superior heat sinking with external air flow fins.

### Housing:

Precision die-cast aluminum housing, hood and mounting arm.

### Gaskets:

High Temperature Silicone

### Finish:

Chip and fade resistant polyester powder coat finish.

### Warranty:

RAB LED fixtures give you peace of mind because both the fixture and driver components are backed by RAB's 5 Year Warranty.

### Green Technology:

Mercury and UV free, and RoHS compliant.

### IESNA LM-79 & IESNA LM-80 Testing:

RAB LED luminaires have been tested by an independent laboratory in accordance with IESNA LM-79 and 80, and have received the Department of Energy "Lighting Facts" label.

### Patents:

The design of the LFLED is protected by Taiwan Patent 01510966 and pending patents in US, Canada, China, and Mexico.

