

LFP16B

JOB NAME: _____

DATE: _____

TYPE: _____

DESCRIPTION

PAR16 floodlight with die cast aluminum housing, integral glare shield and tempered lens. Sleek good looks with minimal size. Supplied with 6" leads and ground wire. Medium base PAR16 lamp, 60 watt max. Lamp not supplied.

SPECIFICATIONS

UL Listing

Suitable for wet locations. Suitable for mounting within 4' of the ground.

Swivels

1/2" NPS threaded arm with serrated locking swivel fits all standard mounting boxes. EZ Grip locknuts color matched to fixture.

Housings

Precision die cast aluminum

Compatibility

Fixture is compatible with GE and Sylvania Par16 lamps. Not compatible with Philips Par16 lamp.

Voltage

120

Patents

RAB sensor and fixture designs are protected under U.S. and International Intellectual Property laws

Sockets

Medium base porcelain with all copper current carrying components and spring loaded center contact.

Country of Origin

Designed by RAB in New Jersey and assembled in Taiwan

Trade Agreements Act Compliant

This product is a product of Taiwan and a "designated country" end product that complies with the Trade Agreements Act.

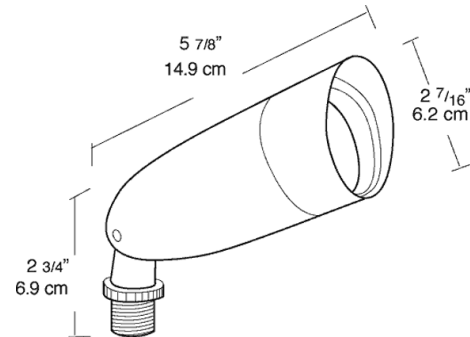
GSA Schedule

This product is suitable for listing on the GSA Schedule of the US General Services in accordance with FAR Subpart 25.4

Weight

0.85

DIMENSIONS



Color

Black

ORDERING INFORMATION

Total Watts	Lamp Type	Lamp Base	Ballast	Starting Amps/ Operating Amps				Input Watts	LAMP ANSI	Initial Lumens	Lamp Hours
				120V	208V	240V	277V				
60	PAR16	Medium	0	0	0	0	0	0.0	0	650	2000

Factory Installed Options

Add suffix to Catalog Number

Note: Specifications may change without notice

RAB Lighting, Inc. • 170 Ludlow Ave • Northvale, NJ 07647 • Tel: 888 RAB-1000 • Fax: 888 RAB-1232 • www.rabweb.com

© 2011