



DESCRIPTION

Rugged die cast aluminum 6" diameter housings. Threaded, gasketed clear glass globe for durable weatherproofing and easy relamping. 1" long, 1/2" threaded nipple included for easy mounting. 75 watt max. Incandescent lamp not supplied. Fluorescent lamp supplied.

SPECIFICATIONS

UL Listing

Suitable for wet locations. Suitable for mounting within 4 feet of the ground

Socket

Medium base porcelain with all copper electrical parts and 20" leads, including a ground lead.

Globes

Threaded, gasketed globe protects against weather, garden sprinklers and insects. Clear glass GL 100 globes standard for 4 Tier. Clear glass GL60 globes standard for 3 Tier. GL100 white globes also available for attractive appearance and glare reduction.

Housing

Die cast aluminum housing with powder coat finish

Voltage

120 volts AC

Mounting Stem

Accessory 12" mounting stem with 1/2" threads on both ends available

Lamp

Incandescent lamp not supplied. Medium base A-19 lamps, 120V. 75 watt max.

Patents

RAB sensor and fixture designs are protected under U.S. and International Intellectual Property laws.

Country of Origin

Designed by RAB in New Jersey and assembled in Taiwan

Trade Agreements Act Compliant

This product is a product of Taiwan and a "designated country" end product that complies with the Trade Agreements Act.

GSA Schedule

This product is suitable for listing on the GSA Schedule of the US General Services in accordance with FAR Subpart 25.4

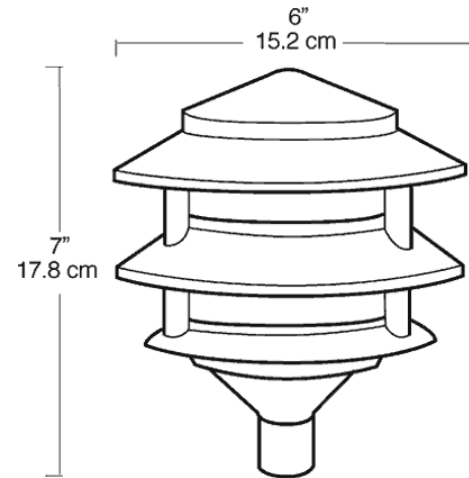
Color

Black

Weight

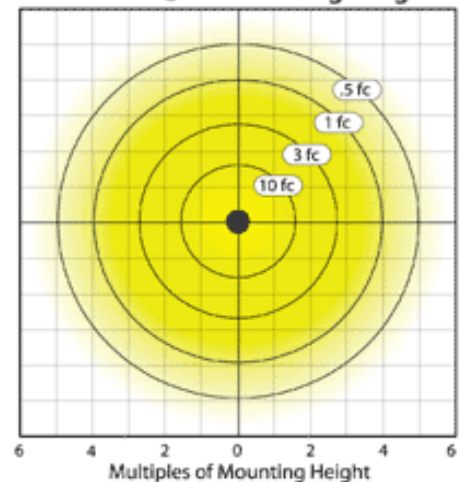
2.03

DIMENSIONS



PHOTOMETRIC

75w A19 @ 1' Mounting Height



ORDERING INFORMATION

Total Watts	Lamp Type	Lamp Base	Ballast	Starting Amps/ Operating Amps				Input Watts	LAMP ANSI	Initial Lumens	Lamp Hours
				120V	208V	240V	277V				
75	A-19	Medium	0	0	0	0	0	0.0	0	1220	750

Factory Installed Options

Add suffix to Catalog Number

Note: Specifications may change without notice