



MP19B



JOB NAME: _____

DATE: _____

TYPE: _____

DESCRIPTION

Sturdy 19" PVC mounting post for ground mounted landscape lighting. Perfect for Lawn Lights, PAR-38 and Quartz Floods. Post is 2 1/2" pipe (2 7/8" O.D.) In-ground stabilizing grid. included.

SPECIFICATIONS

UL Listing

Suitable for wet locations. Fixtures with ground wire must be used

Post Materials

UL Schedule 40 PVC pipe

Set Screw

Locks cap to post and prevents rotation

Cap

PVC

Patents

Pat. D424,524

Country of Origin

Designed by RAB in New Jersey and assembled in Taiwan

Trade Agreements Act Compliant

This product is a product of Taiwan and a "designated country" end product that complies with the Trade Agreements Act.

GSA Schedule

This product is suitable for listing on the GSA Schedule of the US General Services in accordance with FAR Subpart 25.4

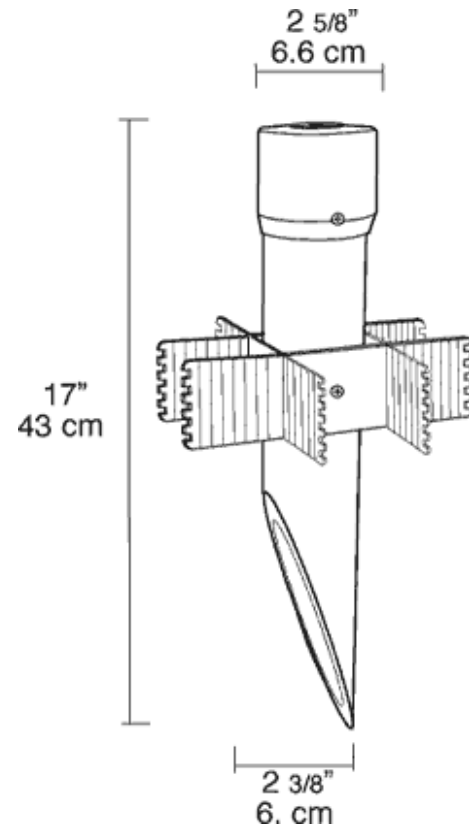
Color

Black

Weight

2.05

DIMENSIONS



Note: Specifications may change without notice

RAB Lighting, Inc. • 170 Ludlow Ave • Northvale, NJ 07647 • Tel: 888 RAB-1000 • Fax: 888 RAB-1232 • www.rabweb.com

© 2011