

RAB LIGHTING

QF500F



JOB NAME: _____
 DATE: _____
 TYPE: _____

DESCRIPTION

Sleek design 500 watt Quartz flood with rounded back and fins for superior heat dissipation. Vandalproof stainless steel locking clip. Gold plated socket contacts and 250°C Teflon coated wires for extended lamp life. Lamp supplied.

SPECIFICATIONS

UL Listing

Suitable for wet locations. Suitable for mounting within 4' of the ground

Housing

Die cast aluminum, 1/2" NPS threaded arm with locking swivel fits all standard mounting covers.

Lens Gasket

High temperature silicone gasket stays in place during relamping

Reflector

Semi-specular anodized aluminum

Sockets

Porcelain RSC base sockets with gold plated spring loaded contacts and strain relieved 250°C Teflon insulated wires

Lens

Thermal, tempered, shock resistant glass

Finish

Chip and fade resistant polyester powder coating

Patents

RAB sensor and fixture designs are protected under U.S. and International Intellectual Property laws

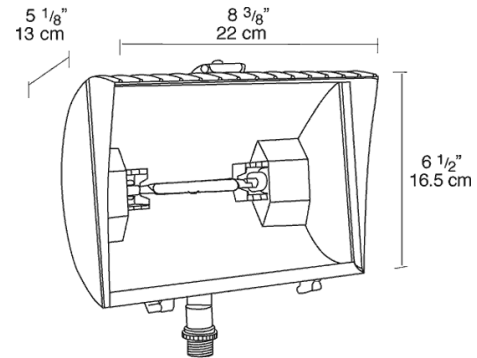
Color

Bronze

Weight

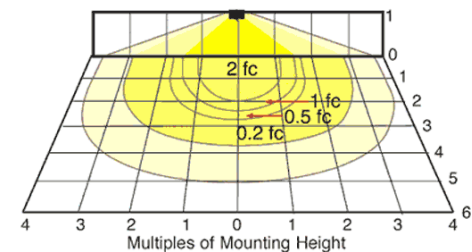
3.09

DIMENSIONS



PHOTOMETRIC

500w Quartz @ 15' Mounting Height
 Aimed 30° below horizontal



Mounting Height	Multiplier
8'	3.5
12'	1.6
15'	1.0
20'	.6
24'	.4

Watts	Multiplier
500	1.0
300	.6
200	.3

ORDERING INFORMATION

Double Ended Quartz Halogen
 Lamp supplied with fixture

Total Watts	Lamp Type	Lamp Base	Ballast
500	T3	Double Ended	

Starting Amps/ Operating Amps				Input Watts	LAMP ANSI	Initial Lumens	Lamp Hours
120V	208V	240V	277V				
				500.0	0	11000	2000

Factory Installed Options
 Add suffix to Catalog Number

Note: Specifications may change without notice

RAB Lighting, Inc. • 170 Ludlow Ave • Northvale, NJ 07647 • Tel: 888 RAB-1000 • Fax: 888 RAB-1232 • www.rabweb.com
 © 2011