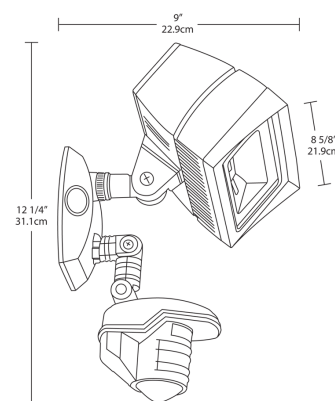


# STL3FFLED18W

Provides motion detection in both a 180° outward pattern as well as underneath with a full 360°. Also features an evening timer mode, which turns the light on for a preset amount of time after sunset. Comes with a full 10 year warranty.

Color: White

Weight: 6.5 lbs



## LED Info

Watts: 18W  
 Color Temp: 5100K (Cool)  
 Color Accuracy: 70  
 L70 Lifespan: 100000  
 LM79 Lumens: 1,624  
 Efficacy: 73 LPW

## Driver Info

Type: Constant Current  
 120V: 0.2 A  
 208V: 0  
 240V: N/A  
 277V: N/A  
 Input Watts: 22W  
 Efficiency: 80%

## Technical Specifications

### UL Listing:

Suitable For Wet Locations.

### Lumen Maintenance:

100,000-hour LED lifespan based on IES LM-80 results and TM-21 calculations.

### NEMA Type:

7H x 6V Beam Spread

### Airflow:

Patent pending Airflow technology heat sink for superior cooling

### LEDs:

18 Watt high performance LEDs

### Driver:

Constant Current, Class 2, 100 - 277V, 50 - 60 Hz, 100 - 277VAC 0.4 Amps

### Input Watts:

22

### Fixture Efficacy:

73 Lumens per Watt

### Surge Protection:

Withstands up to 6000 volts

### Ambient Temperature:

Suitable for use in 40°C ambient temperatures.

### Cold Weather Starting:

The minimum starting temperature is -40°C/-40°F.

### Thermal Management Housing:

Die-cast aluminum housing, lens frame and mounting arm

### Mounting:

Heavy-duty mounting arm with O ring seal & stainless steel screw

### Color Stability:

RAB LEDs exceed industry standards for chromatic stability.

### Color Accuracy:

70 CRI

### Color Temperature (Nominal CCT):

5100K

### Color Uniformity:

RAB's range of CCT (Correlated Color Temperature) follows the guidelines of the American National Standard for (SSL) Products, ANSI C78.377-2008.

### Reflector:

Semi-specular anodized aluminum

### Gaskets:

High-temperature silicone gaskets

### Finish:

Chip and fade resistant polyester

### Green Technology:

Mercury and UV free

### IESNA LM-79 & LM-80 Testing:

RAB LED luminaires have been tested by an independent laboratory in accordance with IESNA LM-79 and LM-80, and have received the Department of Energy Lighting Facts label.

### California Title 24:

FFLED18 complies with California Title 24 building and electrical codes.



STL3FFLED18W - continued

**Voltage:**

120 volts AC 60 Hz

**Power Consumption:**

1 watt

**Time Adjustment:**

5 seconds to 12 minutes

**Scanning LEDs:**

3 LEDs continually scan back-and-forth

**Wide Sensitivity Control:**

Adjustable from 100% to 30%

**Temperature Compensation:**

Sensitivity adjusted automatically for consistent detection in hot and cold ambient temperatures.

**Wall Switch Manual Override:**

Two flip logic prevents activation by momentary power outages. Override resets to auto at dawn. No extra wiring needed.

**Evening Timer:**

Keeps lights on for 1-8 hours after dusk. Then sensor is motion activated until dawn.

**Set it and forget it:**

STL360's full coverage pattern reduces need for aiming and adjustment.

**Advanced Detection Logic:**

Minimizes false triggers

**Color Matched Lens:**

Dark lens with bronze units, white lens with white units

**Sensor Lens Masks:**

Customized press apply lens mask included to reduce coverage easily

**Sensor RF Immunity:**

Circuits fully shielded for maximum radio frequency immunity.

**Photoelectric Control:**

Deactivates lights during daylight. Fully adjustable for 24 hour operation or custom applications.

**Sensor Detection:**

Senses 180&deg; out and 360&deg; down for Total Detection

**Sensor Switching Capacity:**

8 Amps, 750 Watts LED @120 Volts 0.8pF Driver; 8 Amps, 500 Watts LED @120 Volts 0.5pF Driver

**Patents:**

The FFLED18 design is protected by patents pending in the U.S., Canada, China, Taiwan and Mexico. RAB sensor designs are protected under U.S. and International Intellectual Property laws.

**Warranty:**

RAB LED fixtures give you peace of mind because both the fixture and driver components are backed by RAB's 5 Year Warranty. 10 year sensor warranty. For more information,

**Country of Origin:**

Designed by RAB in New Jersey and assembled in the USA by RAB's IBEW Local 3 workers.

**Buy American Act Compliant:**

This product is a COTS item manufactured in the United States, and is compliant with the Buy American Act.

**Recovery Act (ARRA) Compliant:**

This product complies with the 52.225-21 "Required Use of American Iron, Steel, and Manufactured Goods-- Buy American Act-- Construction Materials (October 2010)

**Trade Agreements Act Compliant:**

This product is a COTS item manufactured in the United States, and is compliant with the Trade Agreements Act.

**GSA Schedule:**

Suitable in accordance with FAR Subpart 25.4

