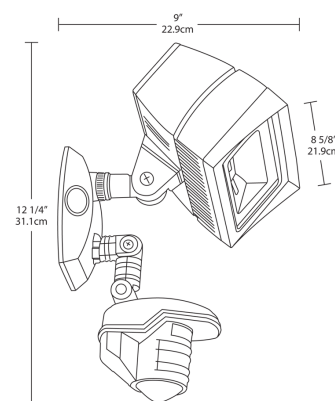


STL3FFLED18YW

Provides motion detection in both a 180° outward pattern as well as underneath with a full 360°. Also features an evening timer mode, which turns the light on for a preset amount of time after sunset. Comes with a full 10 year warranty.

Color: White

Weight: 6.5 lbs



LED Info

Watts: 18W
 Color Temp: 3000K (Warm)
 Color Accuracy: 85
 L70 Lifespan: 100000
 LM79 Lumens: 1,075
 Efficacy: 48 LPW

Driver Info

Type: Constant Current
 120V: 0.2 A
 208V: 0
 240V: N/A
 277V: N/A
 Input Watts: 23W
 Efficiency: 80%

Technical Specifications

UL Listing:

Suitable For Wet Locations.

Lumen Maintenance:

100,000-hour LED lifespan based on IES LM-80 results and TM-21 calculations.

NEMA Type:

7H x 6V Beam Spread

Airflow:

Patent pending Airflow technology heat sink for superior cooling

LEDs:

18 Watt high performance LEDs

Driver:

Constant Current, Class 2, 100 - 277V, 50 - 60 Hz, 100 - 277VAC 0.4 Amps

Input Watts:

22

Fixture Efficacy:

48 Lumens per Watt

Surge Protection:

Withstands up to 6000 volts

Ambient Temperature:

Suitable for use in 40°C ambient temperatures.

Cold Weather Starting:

The minimum starting temperature is -40°C/-40°F.

Thermal Management Housing:

Die-cast aluminum housing, lens frame and mounting arm

Mounting:

Heavy-duty mounting arm with O ring seal & stainless steel screw

Color Stability:

RAB LEDs exceed industry standards for chromatic stability.

Color Accuracy:

85 CRI

Color Temperature (Nominal CCT):

3000K

Color Uniformity:

RAB's range of CCT (Correlated Color Temperature) follows the guidelines of the American National Standard for (SSL) Products, ANSI C78.377-2008.

Reflector:

Semi-specular anodized aluminum

Gaskets:

High-temperature silicone gaskets

Finish:

Chip and fade resistant polyester

Green Technology:

Mercury and UV free

IESNA LM-79 & LM-80 Testing:

RAB LED luminaires have been tested by an independent laboratory in accordance with IESNA LM-79 and LM-80, and have received the Department of Energy Lighting Facts label.

California Title 24:

FFLED18 complies with California Title 24 building and electrical codes.



STL3FFLED18YW - continued

Voltage:

120 volts AC 60 Hz

Power Consumption:

1 watt

Time Adjustment:

5 seconds to 12 minutes

Scanning LEDs:

3 LEDs continually scan back-and-forth

Wide Sensitivity Control:

Adjustable from 100% to 30%

Temperature Compensation:

Sensitivity adjusted automatically for consistent detection in hot and cold ambient temperatures.

Wall Switch Manual Override:

Two flip logic prevents activation by momentary power outages. Override resets to auto at dawn. No extra wiring needed.

Evening Timer:

Keeps lights on for 1-8 hours after dusk. Then sensor is motion activated until dawn.

Set it and forget it:

STL360's full coverage pattern reduces need for aiming and adjustment.

Advanced Detection Logic:

Minimizes false triggers

Color Matched Lens:

Dark lens with bronze units, white lens with white units

Sensor Lens Masks:

Customized press apply lens mask included to reduce coverage easily

Sensor RF Immunity:

Circuits fully shielded for maximum radio frequency immunity.

Photoelectric Control:

Deactivates lights during daylight. Fully adjustable for 24 hour operation or custom applications.

Sensor Detection:

Senses 180° out and 360° down for Total Detection

Sensor Switching Capacity:

8 Amps, 750 Watts LED @120 Volts 0.8pF Driver; 8 Amps, 500 Watts LED @120 Volts 0.5pF Driver

Patents:

The FFLED18 design is protected by patents pending in the U.S., Canada, China, Taiwan and Mexico. RAB sensor designs are protected under U.S. and International Intellectual Property laws.

Warranty:

RAB LED fixtures give you peace of mind because both the fixture and driver components are backed by RAB's 5 Year Warranty. 10 year sensor warranty. For more information,

Country of Origin:

Designed by RAB in New Jersey and assembled in the USA by RAB's IBEW Local 3 workers.

Buy American Act Compliant:

This product is a COTS item manufactured in the United States, and is compliant with the Buy American Act.

Recovery Act (ARRA) Compliant:

This product complies with the 52.225-21 "Required Use of American Iron, Steel, and Manufactured Goods-- Buy American Act-- Construction Materials (October 2010)

Trade Agreements Act Compliant:

This product is a COTS item manufactured in the United States, and is compliant with the Trade Agreements Act.

GSA Schedule:

Suitable in accordance with FAR Subpart 25.4

