

VAN5HH150QT

JOB NAME: _____

DATE: _____

TYPE: _____

DESCRIPTION

Large size ceiling mount fixture: Increased wattage to 200W MH PS. Vertical lamp HID. Adjustable, 4-way glare guard & "No Bend" conduit entrance. Excellent heat control eliminates heat problems. Housing is die cast aluminum with clear vandalproof polycarbonate refractor. Lamps supplied.

SPECIFICATIONS

UL Listing

Suitable for wet locations. Fixtures can be wired with 90° C supply wiring if supply wires are routed 3" away from ballast.

Sockets

Medium base 4kv Pulse Rated Glazed porcelain

Refractor

Injection molded polycarbonate, designed for maximum structural strength

HID Quartz restrike

Add suffix "/QR" to Van3 (50w restrike) or Van5 (100w restrike) for HOT restrike. Provides immediate illumination in case of momentary power failure

Housings

Die cast aluminum with powder coat bronze or white finish

Screws

Tamperproof center pin Torx-head and slotted Phillips head stainless steel screws provided. Be sure to order your Torx screwdriver (Catalog # VANDRIVER)

Reflectors / Backplate

Heavy gauge cold rolled steel with high reflectance baked white enamel

Quad Tap

Fixture works with 120, 208, 240 and 277 Volts

Patents

The unique RAB VAN5 is protected by U.S. Patent D547,484; China Patent ZL200630133218.0; Taiwan Patent D121,295 and Canada Patent D115,523

Country of Origin

Designed by RAB in New Jersey and assembled in the USA by IBEW Local 3

Buy American Act Compliant

This product is a COTS item manufactured in the United States, and is compliant with the Buy American Act.

ORDERING INFORMATION

Metal Halide Lamp supplied with fixture	Total Watts	Lamp Type	Lamp Base	Ballast	Starting Amps/ Operating Amps				Input Watts	LAMP ANSI	Initial Lumens	Lamp Hours
					120V	208V	240V	277V				
	150	ED17	Medium	CWA-HPF QT	1.3/1.8	.8/1.1	.7/0.9	.6/0.8	185.0	M107	13500	10000

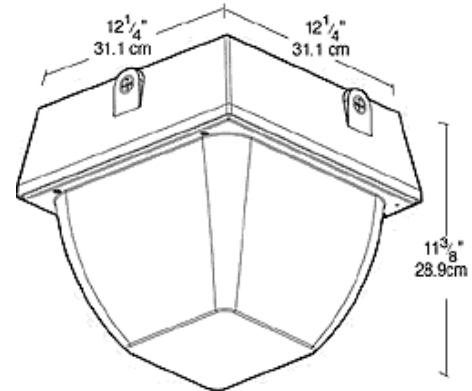
Factory Installed Options
Add suffix to Catalog Number

Swivel Photocontrol (/PCS)
Quartz Restrike (HPS & MH only) (/QR)

Mini Motion Sensor (/MS)
Button Photocontrol (/PC)

Note: Specifications may change without notice

DIMENSIONS



Recovery Act (ARRA) Compliant

This product complies with the 52.225-21 "Required Use of American Iron, Steel, and Manufactured Goods-- Buy American Act-- Construction Materials (October 2010)

Trade Agreements Act Compliant

This product is a COTS item manufactured in the United States, and is compliant with the Trade Agreements Act.

GSA Schedule

This product is suitable for listing on the GSA Schedule of the US General Services in accordance with FAR Subpart 25.4

Color

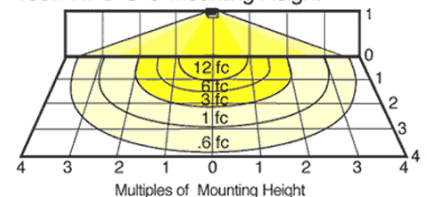
Bronze

Weight

16

PHOTOMETRIC

150w HPS @ 8' Mounting Height



Mounting Height	Multiplier	Multiplier		
		Watts	HPS	MH CFL
8'	1.0	64		.3
9'	.8	84		.4
10'	.7	96		.5
12'	.4	100	.6	.6
14'	.3	150	1.0	.8
		175		.9