



# VXBR100DG



JOB NAME: \_\_\_\_\_  
 DATE: \_\_\_\_\_  
 TYPE: \_\_\_\_\_

## DESCRIPTION

Die cast aluminum construction. Wall bracket plus junction box with sturdy mounting lugs. Medium base socket, 1/2" or 3/4" NPS hub size and a variety of globes. Incandescent lamp A21 for 100 series, PS25 for 200 Series. Lamp not supplied. CFL: 13 & 22 watt lamp supplied.

## SPECIFICATIONS

### UL Listing

Suitable for wet locations. Suitable for use in dwellings. Suitable for use with 90° C supply wiring. Complies with UL Standard 1598. For non-hazardous locations where the lamp, socket and wiring require protection from rain, corrosive fumes, non-combustible dusts, moisture, non-explosive vapors and gases.

### Wattage

See catalog number chart for maximum wattage with clear glass, colored glass and Permaglobes.

### Globes

Supplied with clear heat resistant glass globes unless otherwise stated. Colored and white glass globes available. Unbreakable RAB Permaglobes available in clear and in color.

### Optional Reflectors

Highly reflective white baked polyester epoxy powder finish over a heavy gauge aluminum base. Reflectors thread onto fixtures. See RV series.

### Socket

Premium porcelain with 150° C 8" leads attached. Fastened with 2 brass screws.

### Die Cast Guard

Supplied with one piece die cast guard with set screw

### Maximum Watts

150 watts

### Colored Globe Maximum Watts

100 watts

### Patents

RAB sensor and fixture designs are protected under U.S. and International Intellectual Property laws.

### Country of Origin

Designed by RAB in New Jersey and assembled in Taiwan

### Trade Agreements Act Compliant

This product is a product of Taiwan and a "designated country" end product that complies with the Trade Agreements Act.

### GSA Schedule

This product is suitable for listing on the GSA Schedule of the US General Services in accordance with FAR Subpart 25.4

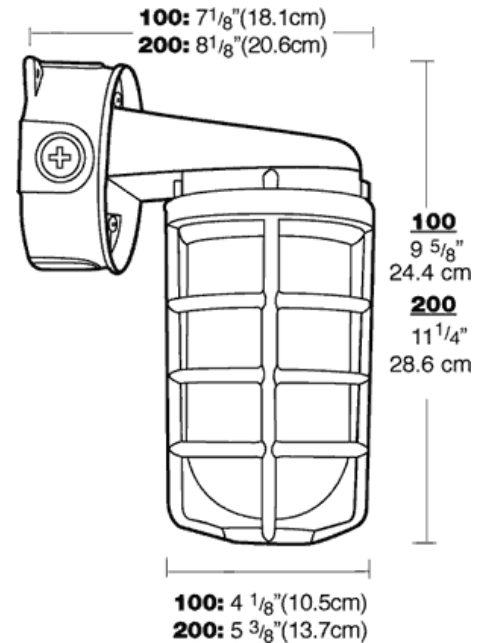
### Color

Natural

### Weight

4.14

## DIMENSIONS



## ORDERING INFORMATION

Total Watts	Lamp Type	Lamp Base	Ballast	Starting Amps/ Operating Amps				Input Watts	LAMP ANSI	Initial Lumens	Lamp Hours
				120V	208V	240V	277V				
150	A19	Medium	0	0	0	0	0	0.0	0	0	0

**Factory Installed Options**  
 Add suffix to Catalog Number

Note: Specifications may change without notice