

26W LED WALLPACK INSTALLATION INSTRUCTIONS

Thank you for buying
RAB LED lighting.
Comments? Call us at
888-RAB-1000, or email:
marketing@rabweb.com



Junction Box



Surface Mount

IMPORTANT

READ CAREFULLY BEFORE INSTALLING FIXTURE. RETAIN THESE INSTRUCTIONS FOR FUTURE REFERENCE.

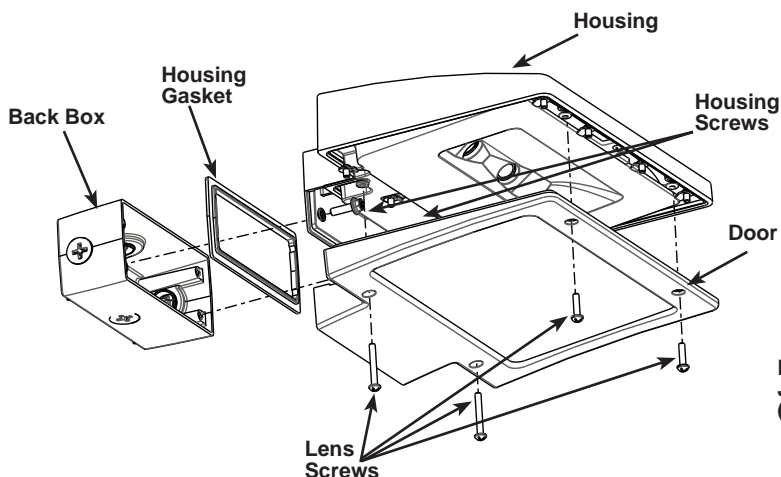
RAB fixtures must be wired in accordance with the National Electrical Code and all applicable local codes. Proper grounding is required for safety. THIS PRODUCT MUST BE INSTALLED IN ACCORDANCE WITH THE APPLICABLE INSTALLATION CODE BY A PERSON FAMILIAR WITH THE CONSTRUCTION AND OPERATION OF THE PRODUCT.

WARNING: Make certain power is OFF before installing or maintaining fixture. No user serviceable parts inside.

JUNCTION BOX MOUNT FOR CONDUIT

For use on applications where conduit wiring is needed.

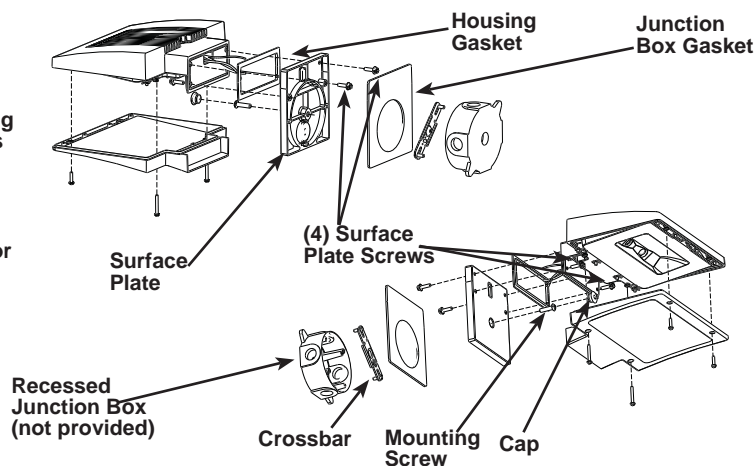
1. Loosen and remove (4) **Lens Screws**. Remove **Door**.
2. Loosen and remove (2) **Housing Screws**. Remove **Housing** from **Back Box**. Keep **Housing Gasket** intact for re-assembly.
3. Secure **Back Box** to the mounting surface using hardware appropriate for that mounting surface.
4. Wire the fixture using UL listed wire connectors according to NEC and local codes. Apply sealant to all unused conduit entry points.
5. Place **Gasket** between **Back Box** and **Housing**. Re-mount **Housing** to **Back Box**. Check **Housing Gasket** seal all around the **Back Box**.
6. Re-mount **Door** to **Housing**. Tighten (4) **Lens Screws**. Check door gasket (not shown) seal.
7. Fixture is UL Listed for down and up lighting and may be mounted in either position. Fixture may not melt heavy snow accumulation in an upright position.
CAUTION: For proper weatherproof function all gaskets must be seated properly and all screws inserted and tightened firmly.



SURFACE MOUNT FOR RECESSED JUNCTION BOX

For use with recessed junction box and wiring.

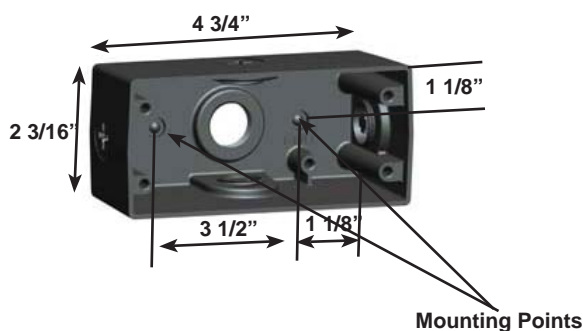
1. Mount **Surface Plate** to fixture with (4) **Surface Plate Screws**. There are two screws from the front and two screws from the back. Make sure **Housing Gasket** makes complete seal all the way around.
2. Use supplied crossbar. Mount **Crossbar** to recessed junction box with (2) screws.
3. Place **Junction Box Gasket** on back of the fixture. Gasket should create seal against mounting surface.
4. Wire fixture to supply wires in recessed junction box according to wiring section.
5. Use 1/4 x 20 stainless steel **Mounting Screw** to attach fixture to **Crossbar**. Tighten **Mounting Screw**.
6. Cover screw with **Cap**, provided.
7. Fixture is UL Listed for down and up lighting and may be mounted in either position. Fixture may not melt heavy snow accumulation in an upright position.
CAUTION: For proper weatherproof function all gaskets must be seated properly and all screws inserted and tightened firmly.



26W LED WALLPACK INSTALLATION INSTRUCTIONS

JUNCTION BOX

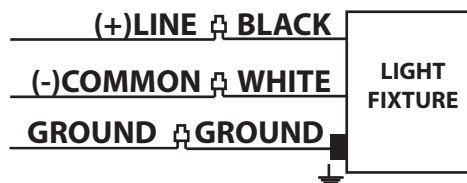
1. The Junction box has (4) conduit entry points on the center of each side and (1) in the center back.
2. **Mounting Points** are dimensioned below.



WIRING

Universal voltage driver permits operation at 100V to 277VAC, 50 or 60Hz except fixtures factory ordered with a 120V photocell (/PC).

1. Connect the black fixture lead to the (+) LINE supply lead.
2. Connect the white fixture lead to the (-) COMMON supply lead.
3. Connect the bare copper Ground wire from fixture to supply ground.



CLEANING & MAINTENANCE

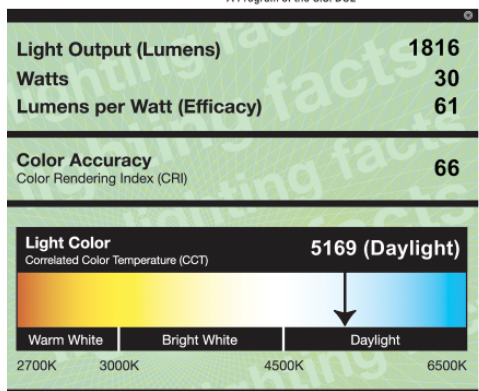
CAUTION: Be sure fixture temperature is cool enough to touch. Do not clean or maintain while fixture is energized.

1. Clean glass lens with non-abrasive glass cleaning solution.
2. Do not open fixture to clean the LED. Do not touch the LED.

TROUBLESHOOTING

1. Check that the line voltage at fixture is correct. Refer to wiring directions.
2. Is the fixture is grounded properly?
3. Is the photocell, if used, functioning properly?

lighting facts^{CM}
A Program of the U.S. DOE

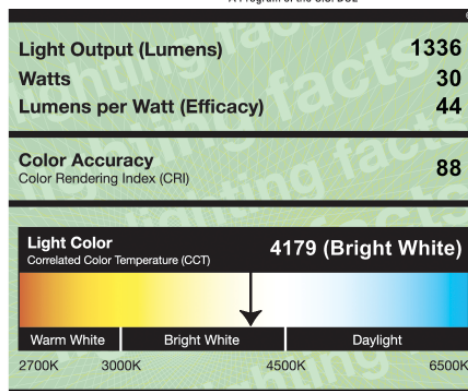


All results are according to IESNA LM-79-2008: Approved Method for the Electrical and Photometric Testing of Solid-State Lighting. The U.S. Department of Energy (DOE) verifies product test data and results.

Visit www.lightingfacts.com for the Label Reference Guide.

Registration Number: WVMA-4T2DJ1
Model Number: WPLED26
Type: Outdoor wall pack

lighting facts^{CM}
A Program of the U.S. DOE



All results are according to IESNA LM-79-2008: Approved Method for the Electrical and Photometric Testing of Solid-State Lighting. The U.S. Department of Energy (DOE) verifies product test data and results.

Visit www.lightingfacts.com for the Label Reference Guide.

Registration Number: WVMA-6PR2MJ
Model Number: WPLED26N
Type: Outdoor wall pack

Note: These instructions do not cover all details or variations in equipment nor do they provide for every possible situation during installation, operation or maintenance.

US and International Patents Pending